

Series
KOM



■ **Applications**

Spring-loaded backdraft damper for round ducts. The damper prevents back draft when the system is off. The blades are opened with air flow and are closed with a spring.

■ **Design**

The damper is made of galvanized steel housing with spring-loaded aluminium blades.

■ **Modifications**

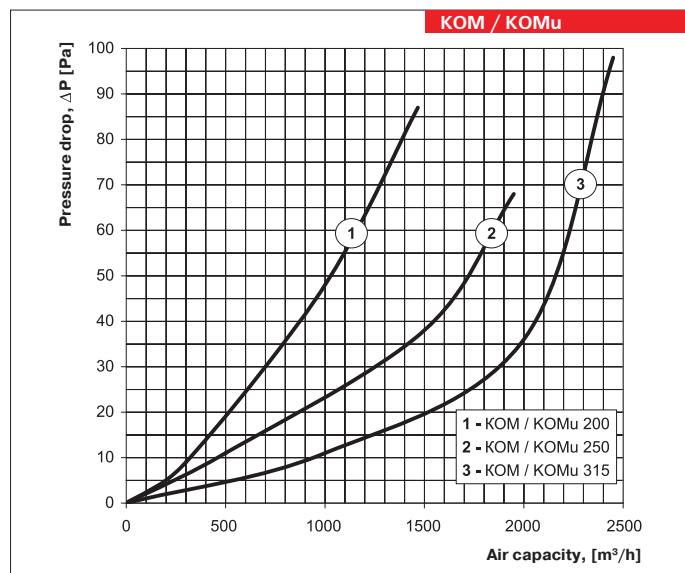
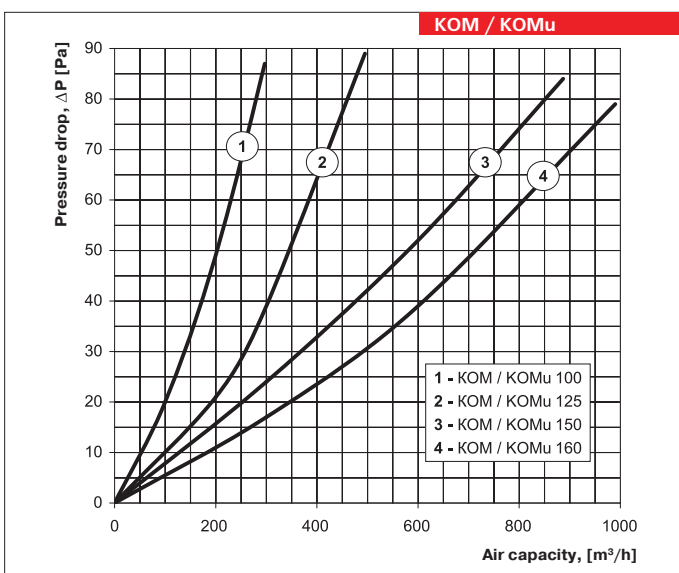
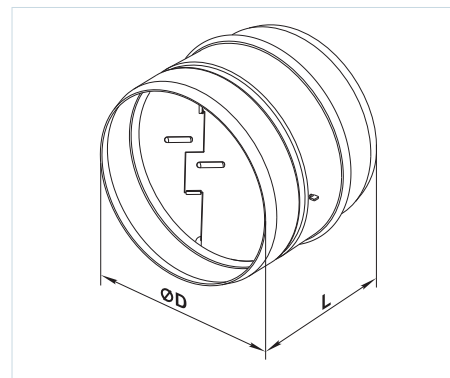
KOMu model is sealed with foamed rubber for noise absorption and extra air tightness.

■ **Mounting**

The damper is connected to round air ducts and fixed with clamps. The blade axis should be in vertical position. Correct air flow direction should be considered.

Overall dimensions:

Type	Dimensions [mm]		Weight [kg]
	ØD	L	
KOM / KOMu 100	99	80	0.18
KOM / KOMu 125	124	100	0.27
KOM / KOMu 150	149	115	0.38
KOM / KOMu 160	159	120	0.42
KOM / KOMu 200	199	145	0.63
KOM / KOMu 250	249	165	0.90
KOM / KOMu 315	314	190	1.31



Designation key:

Series	Spigot diameter [mm]
KOM / KOMu	100; 125; 150; 160; 200; 250; 315