

Series
RRV



Series
RRVA



■ **Applications**

The air flow control damper consists of a number of blades which close towards each other. It is designed for manual air flow control (RRV) or for automatic rectangular ventilation duct shutoff (RRVA, RRVAF).

■ **Design**

The casing is made of galvanized steel sheet. The blades are made of aluminium shape. The plastic gears enable their rotation.

RRV - manual air flow capacity regulator and shutoff

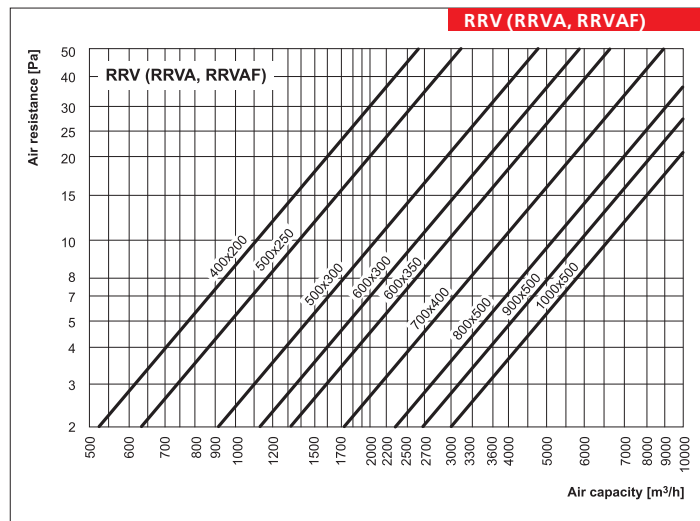
damper, equipped with metal leverage and locking device to fix the position by means of butterfly bolt.

RRVA - regulating and shutoff damper with the actuator to provide ventilation shaft automatic opening or shutoff.

RRVAF - regulating and shutoff damper with the actuator and the pullback spring for automatic shutting of ventilation duct. Shutter closing is effected by means of the spring actuator that enables the damper application as a component of freezing protection system for water heating.

■ **Mounting**

Mounting of air flow control damper is effected by means of flange connection. Mounting inside the ventilation system is performed through fastening of end flanges of shutters to the mating flanges of air ducts or other ventilation system units. The fastening is effected with galvanized bolts and clamps. While mounting the dampers with the actuator ensure easy access to the drive.

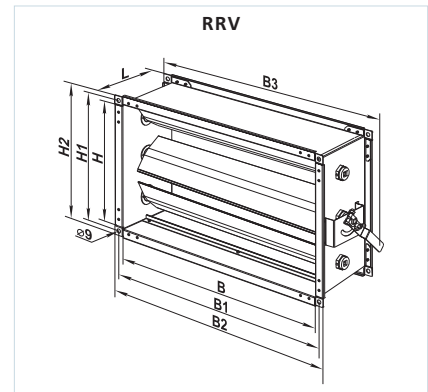


Designation key:

Series	Flange designation (WxH) [mm]
RRV RRVA RRVAF	400x200; 500x250; 500x300; 600x300; 600x350; 700x400; 800x500; 900x500; 1000x500

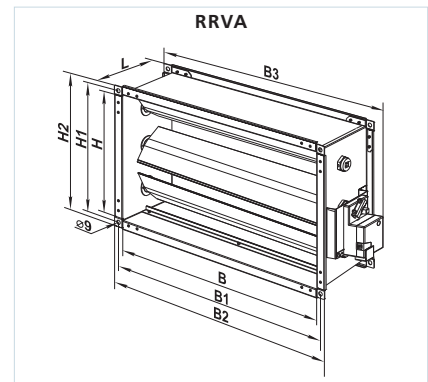
Overall dimensions:

Type	Dimensions [mm]								Mass [kg]
	B	B1	B2	B3	H	H1	H2	L	
RRV 400x200	400	420	440	475	200	220	240	170	3,5
RRV 500x250	500	520	540	575	250	270	290	170	4,2
RRV 500x300	500	520	540	575	300	320	340	170	4,9
RRV 600x300	600	620	640	675	300	320	340	170	5,4
RRV 600x350	600	620	640	675	350	370	390	170	5,7
RRV 700x400	700	720	740	775	400	420	440	170	7,7
RRV 800x500	800	820	840	875	500	520	540	170	8,8
RRV 900x500	900	920	940	975	500	520	540	170	9,6
RRV 1000x500	1000	1020	1040	1075	500	520	540	170	10,3



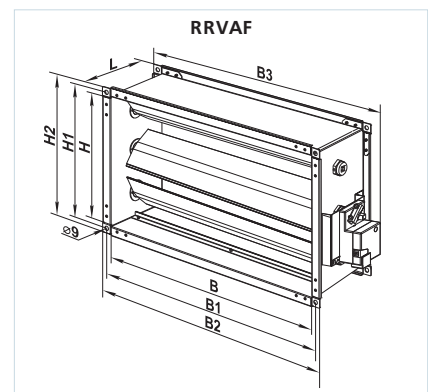
Overall dimensions:

Type	Dimensions [mm]								Mass [kg]
	B	B1	B2	B3	H	H1	H2	L	
RRVA 400x200	400	420	440	515	200	220	240	170	3,5
RRVA 500x250	500	520	540	615	250	270	290	170	4,2
RRVA 500x300	500	520	540	615	300	320	340	170	4,9
RRVA 600x300	600	620	640	715	300	320	340	170	5,4
RRVA 600x350	600	620	640	715	350	370	390	170	5,7
RRVA 700x400	700	720	740	815	400	420	440	170	8,0
RRVA 800x500	800	820	840	915	500	520	540	170	9,2
RRVA 900x500	900	920	940	1015	500	520	540	170	9,9
RRVA 1000x500	1000	1020	1040	1115	500	520	540	170	10,7



Overall dimensions:

Type	Dimensions [mm]								Mass [kg]
	B	B1	B2	B3	H	H1	H2	L	
RRVAF 400x200	400	420	440	530	200	220	240	170	4,5
RRVAF 500x250	500	520	540	630	250	270	290	170	5,2
RRVAF 500x300	500	520	540	630	300	320	340	170	5,9
RRVAF 600x300	600	620	640	730	300	320	340	170	6,4
RRVAF 600x350	600	620	640	730	350	370	390	170	6,7
RRVAF 700x400	700	720	740	830	400	420	440	170	9,1
RRVAF 800x500	800	820	840	930	500	520	540	170	10,2
RRVAF 900x500	900	920	940	1030	500	520	540	170	11
RRVAF 1000x500	1000	1020	1040	1030	500	520	540	170	11,7



RRV
RRVA
RRVAF
AIR FLOW CONTROL DAMPER

RRV
RRVA
RRVAF