

Speed controller RS-...-TA



■ Applications

Applied in ventilation systems for switching ON/OFF and speed controlling of single phase power-controlled motors. Several fans can be operated synchronously in case their total consumption current does not exceed the maximum permissible value of the controller current.

■ Design and control

The controller casing is made of flame-retardant thermoplastic and fitted with ON/OFF knob. Output power is controlled from 25 to 100% as a function of the control signal 0...10V or 4-20mA over the range set during the controller adjustment. The control signal type 0...10V or 4-20mA is selected with SW2 control switch located in the controller casing. Control can be performed by means of remote control panel, i.e., R-1/010

controller. The minimum speed is set by means of the potentiometer at PCB inside the controller. The controller is equipped with a supplementary 230 V terminal for connection and control of such external equipment as actuator driven air dampers.

■ Protection

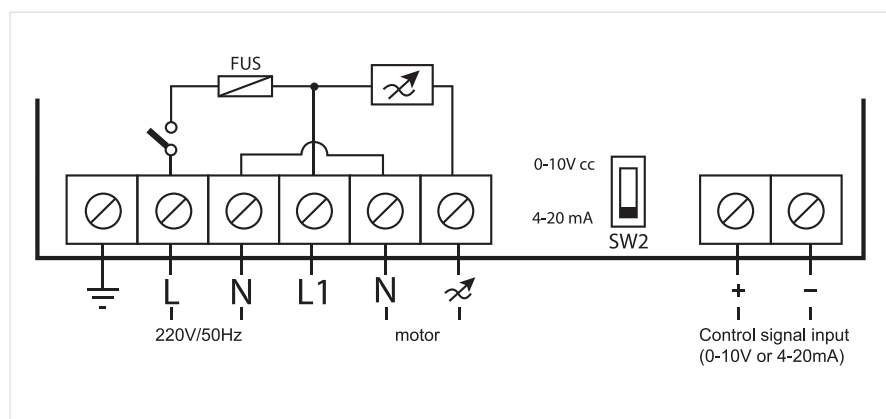
Input circuit of the speed controller has a thermal fuse for overload protection.

■ Mounting

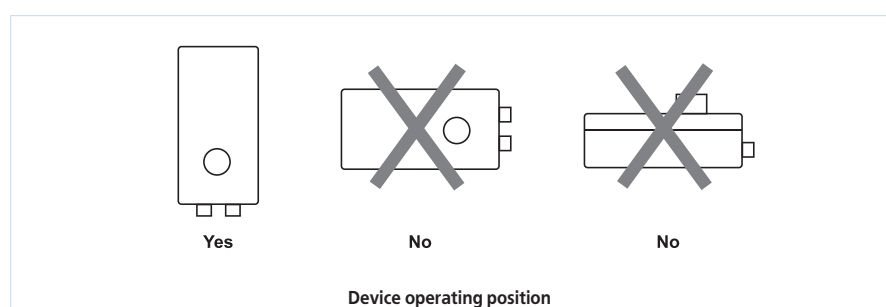
The controller is designed for indoor mounting. Installation shall be performed with respect to the free air circulation for inner circuit cooling. The controller is for vertical installation. Do not install the controller above the heaters and in bad air convection areas.

Technical data:

	RS-3,0-TA	RS-5,0-TA	RS-10,0-TA
Voltage, [V/50 Hz]	1~ 230	1~ 230	1~ 230
Minimum current [A]	0.3	0.5	1.0
Maximum current [A]	3.0	5.0	10.0
Overall dimensions LxWxH [mm]	180x127x95	180x127x95	180x127x95
Maximum ambient temperature [°C]	+5...+40	+5...+40	+5...+40
Protection rating	IP 54	IP 54	IP 54
Weight [kg]	0.3	0.3	0.3



Controller wiring diagram



Device operating position