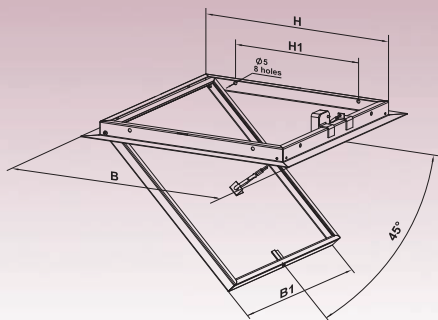


DPM series



Access metal doors for ceiling mounting



Applications

- Designed for ceiling applications.
- Enable quick and convenient access to concealed equipment and utility lines.
- Suitable for high-humidity areas.
- Protected by national patents worldwide.

Design

- Made of high-quality durable polymer-coated steel.
- The use of zinc phosphate compound ensures 100% coating integrity and provides a reliable corrosion protection.
- Specially designed mechanical lock provides a safe door fixation.

- Easy opening and closing with a slight pressing.
- Custom sizes are available upon request.
- The doors are equipped with a galvanized steel safety rope with a snap hook to retain doors in a position that enables inspection works.
- The door opening angle with a safety rope is 45°.
- Open the snap hook if a wider opening angle is required for inspections.
- The doors are lined with a sealant for tight connection between the doors and the frame.

Mounting

- Screw fixation to the ceiling-mounted aluminium shape.



Dimensions

Model	Dimensions, mm			
	□ B	□ B1	□ H	H1
DPM 300x300	336,5	296,5	298	200