

Sensor speed switch
SP3-1



■ **Application**

Applied in ventilation systems for turning the fans on/off and speed switch of multi-speed fan motors.

■ **Design and control**

The casing is made of plastic and is equipped with a sensor panel made of hardened glass. The sensor panel has three speed switch buttons. Press a respective speed button to activate a required speed of a connected ventilation unit.

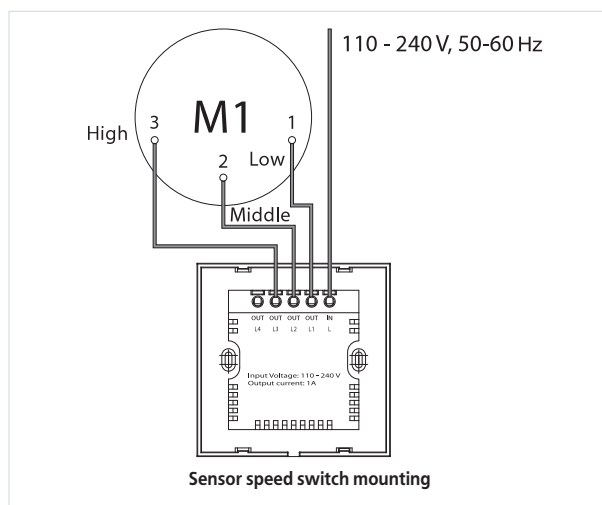
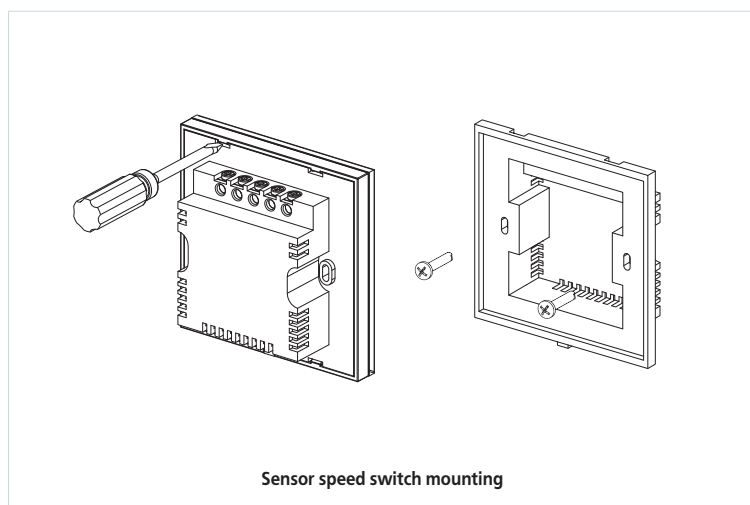
Press an activated speed button to turn the ventilation unit off. The activated speed button glows blue.

■ **Mounting**

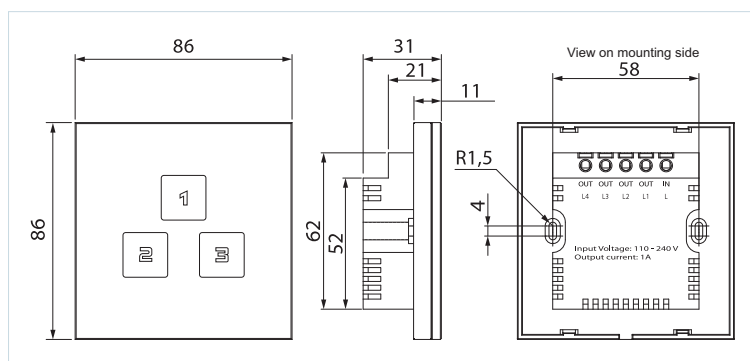
The speed switch is designed for indoor mounting into special surface mounting box MKN-5 (upon special order) or flush mounting junction box MKV-1 (included).

Technical data:

	SP3-1
Voltage [V / 50/60 Hz]	110-240
Maximum load current [A]	1
Cable cross section	0.35 up to 1 mm ²
Temperature range [°C]	from -10 up to +45
Humidity range	5% up to 80% (no condensation)
Service life	100 000 switching operations
Protection rating	IP 30
Weight [kg]	0.138



Overall dimensions:



SURFACE MOUNTING JUNCTION BOX

