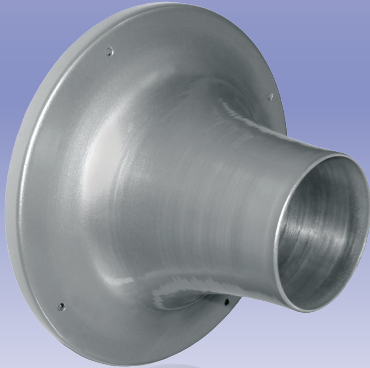


Series SD



Application

- Supply and exhaust ventilation, heating and air conditioning networks in industrial, commercial and domestic premises.
- Long distance indoor air distribution due to a long supply air throw combined with low noise level.
- Parkings, sport halls, exhibition halls, garages, storage facilities, airplane sheds, etc.

Design

- The nozzle diffusers are equipped with fixed nozzles.
- Made of anodized aluminium.
- The specially profiled nozzles ensure low aerodynamic resistance and low noise level.
- The air throw directed from the nozzle changes its speed and temperature while moving in the ventilated area and is directed upwards in case of warm air or downwards in case of cold air distribution. Integration of separate nozzles increases air throw reach distance.

Mounting

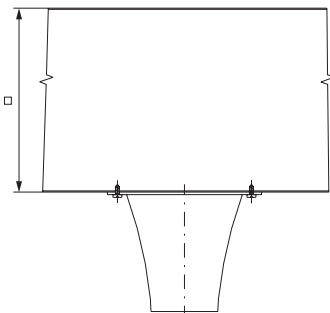
- The nozzles are mounted in premise in the line of the walls.
- Suitable for direct mounting into rectangular and round air ducts by means of unflanged folds that are fixed with screws or rivets.

* Standard polymer coating colours:

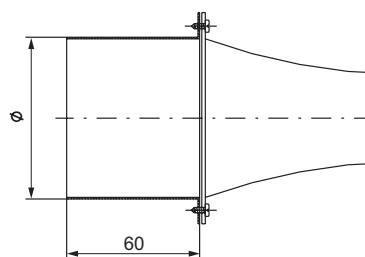


Overall and mounting dimensions [mm]

Type	Dimension	D1	D2	D3	L	Min. air flow speed [m/s]	Max. air flow speed [m/s]	Air pass [m ²]	Min. air capacity [m ³ /h]	Max. air capacity [m ³ /h]
SD	100	50	115	136	94	2,5	20,0	0,0020	18	141
SD	125	64	138	159	112	2,5	20,0	0,0032	29	232
SD	160	82	201	225	122	3,0	18,0	0,0053	57	342
SD	200	108	241	265	153	3,0	17,0	0,0092	99	560
SD	250	136	291	315	187	3,5	15,0	0,0145	183	784
SD	315	174	376	400	224	4,0	14,0	0,0238	342	1198
SD	400	230	461	485	287	4,0	14,0	0,0415	598	2093



Fixed nozzle installation example in the rectangular air duct wall



Fixed nozzle installation example on the flexible air duct with a connector

