

Series
VKT



Roof exhaust gas extraction booster fan for fireplaces.
Air flow up to **1000 m³/h**

■ **Application**

The fans are designed for boosting the draft and extracting smoke fumes heated up to 200 °C* for 5 hours. The units are used for extracting hot smoke from fireplaces, furnaces and hearths. The fans are also suitable for standard periodic or constant exhaust ventilation.

■ **Design**

The fan casing is made of galvanized steel with a polymer coating protecting from weather elements and aggressive environments. The fan has a protective grille to prevent accidental contact and penetration of foreign objects.

■ **Motor**

The fan is equipped with a single-phase asynchronous motor on ball bearings which contribute to a long-term uninterrupted service. The motor is offset from the transported air stream and has an integral thermal protection. The compartment housing of the motor is isolated from the hot air stream and has ventilation openings for air circulation and heat removal.

A purpose-designed impeller with backward-curved blades minimizes soot and carbon deposits for trouble-free operation and easy maintenance.

■ **Speed regulation and fan control**

The fan is connected to the power mains via a transformer or thyristor speed controller, which enables draft regulation and, consequently, maximum efficiency of the fireplace operation.

WARNING!

The fan must be turned on in case of open fire in the fireplace. When the transported air temperature is 200 °C the fans must run at the top speed without a speed controller.

■ **Installation**

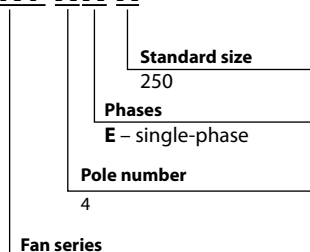
The fan is mounted on the roof on the top section of the chimney. Make sure that the location provides for sufficient space as required for the fan maintenance. The approximate temperature of the effluent gases can be determined according to the kindling colour.

*The smoke fume temperatures can be determined by putting a piece of kindling into the chimney at the level chosen for the fan installation and keeping it there for 30 minutes while the fireplace is hot.

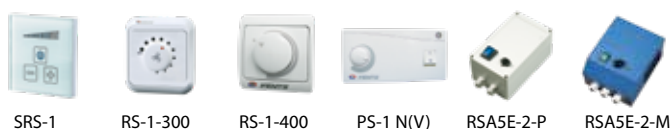
| Kindling colour | Approximate smoke fume temperature, [°C] |
|----------------------------|--|
| Unchanged | up to 150 |
| Yellow (wheat bread crust) | 200 |
| Brown (brown bread crust) | 250 |
| Black | 300 |
| Charred kindling | 400 |

Designation key: _____

VENTS VKT XX X

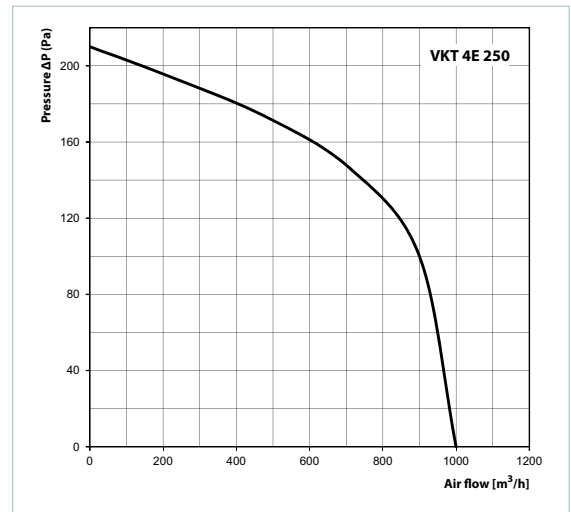


Accessories



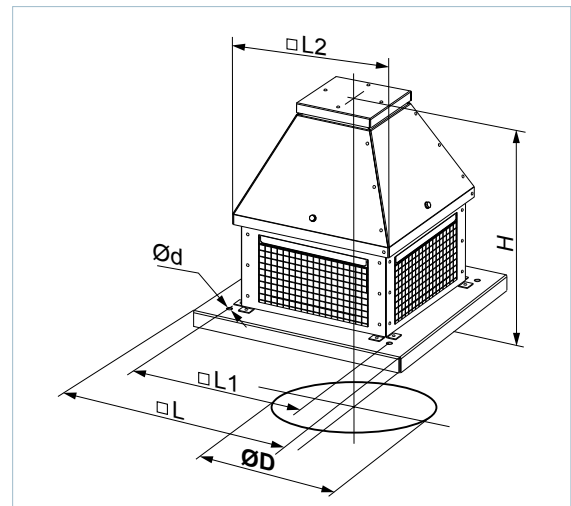
Technical data:

| | VKT 4E 250 |
|--|------------|
| Voltage [V] at 50 Hz | 1~230 |
| Power [W] | 96 |
| Current [A] | 0.6 |
| Maximum air flow [m ³ /h] | 1000 |
| RPM [min ⁻¹] | 1500 |
| Sound pressure level at 3 m distance [dBA] | 52 |
| Max. transported air temperature [°C] | 200 |
| Ingress protection rating | IP44 |



Fan Dimensions:

| Fan Type | Dimensions [mm] | | | | | | Weight [kg] |
|------------|-----------------|-----|-----|-----|-----|-----|-------------|
| | Ø D | Ø d | H | L | L1 | L2 | |
| VKT 4E 250 | 250 | 11 | 434 | 430 | 330 | 323 | 14.6 |



VKT fan application option