

GRAVITY LOUVRE SHUTTERS

**Series
KG**



Applications

Gravity louvre shutter for rectangular air ducts. The shutter is closed during the system standby preventing back draft.

Design

The shutter is made of galvanized steel. The housing equipped with light-weighted plastic gravity blades inserted into the external frame.

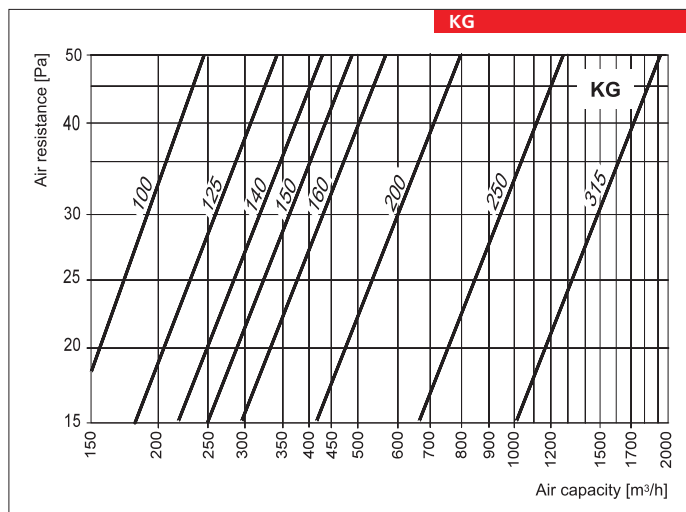
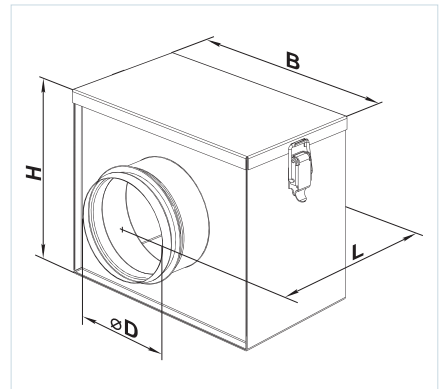
The blades are opened by the air flow and are closed when the fan is not running preventing back draft.

Mounting

Mounted horizontally in the duct allowing the blades to close under their own weight. Correct direction of air flow should be considered.

Overall dimensions:

Type	Dimensions [mm]				Weight [kg]
	D	B	H	L	
KG 100	99	225	216	232	1.814
KG 125	124	225	216	232	1.794
KG 140	139	225	216	232	1.798
KG 150	149	225	216	232	1.774
KG 160	159	225	216	232	1.699
KG 200	199	295	316	232	2.764
KG 250	249	295	316	232	2.624
KG 315	314	365	366	232	3.238



Designation key:

Series	Spigot diameter [mm]
KG	100; 125; 140; 150; 160; 200; 250; 315