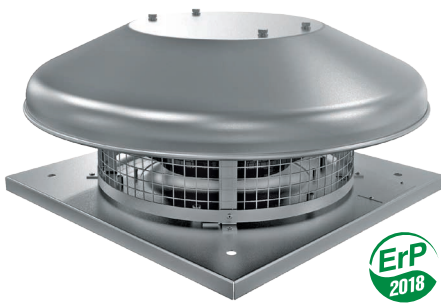


Series
VENTS VKHC



Centrifugal roof fans with horizontal air exhaust and with maximum air flow of up to **2442 m³/h**

■ **Application**

Exhaust ventilation systems for commercial, office and other public or industrial premises for various premises suitable for roof mounting.

■ **Design**

The fan casing is made of steel with polymeric coating (VENTS VKHC models), aluminum (VENTS VKH-CA).

■ **Motor**

2- or 4-pole single phase asynchronous motors with an external rotor and impeller with backward curved blades. The motor is equipped with thermal overheating protection with automatic restart as well as ball bearings for long service life. For precise features, safe operation and low noise, each turbine is dynamically balanced while assembly. Motors protection rating IP44, IP54.

■ **Speed control**

Stepless speed regulation using an autotransformer speed regulator. Several fans can be connected to one controller in case the total power and operating current do not exceed the rated controller values.

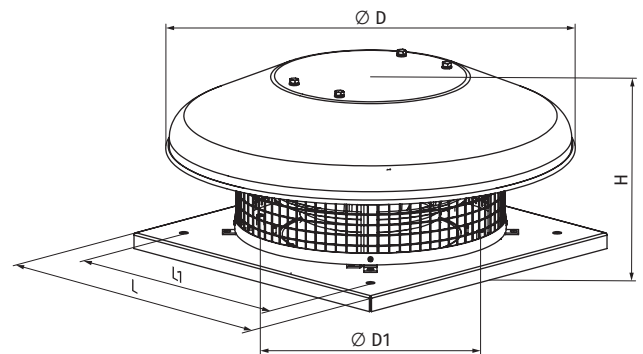
■ **Mounting**

The fan is mounted on the roof directly above the ventilating duct or shaft and is firmly fixed to the flat surface by means of a connecting plate. While mounting VKHC fans directly onto the flat roof a supporting block shall be provided to prevent water and snow drops into the vent of the ventilation shaft. Electrical connection and installation shall be performed in compliance with the manual and circuit diagram on the terminal box.

For connection of the fans to round air ducts use the following accessories: KKV damper, GVK flexible connector, FKV counter flange. For mounting of the fans to flat surface use the mounting frame RKV.

Fan overall dimensions

Type	Dimensions [mm]					Weight, [kg]
	H	∅D	∅D1	L	L1	
VKHC 2E 190	178	503	210	330	245	6
VKHC 2E 220	186	503	210	330	245	7
VKHC 2E 225	193	503	210	330	245	7
VKHC 4E 225	193	503	210	330	245	7
VKHC 2E 250	223	503	285	420	330	8
VKHC 4E 250	223	503	285	420	330	8
VKHC 4E 280	255	623	285	420	330	10
VKHC 2E 310	258	623	285	420	330	10
VKHC 4E 310	277	623	285	420	330	11
VKHC 4D 310	277	623	285	420	330	11



Designation key

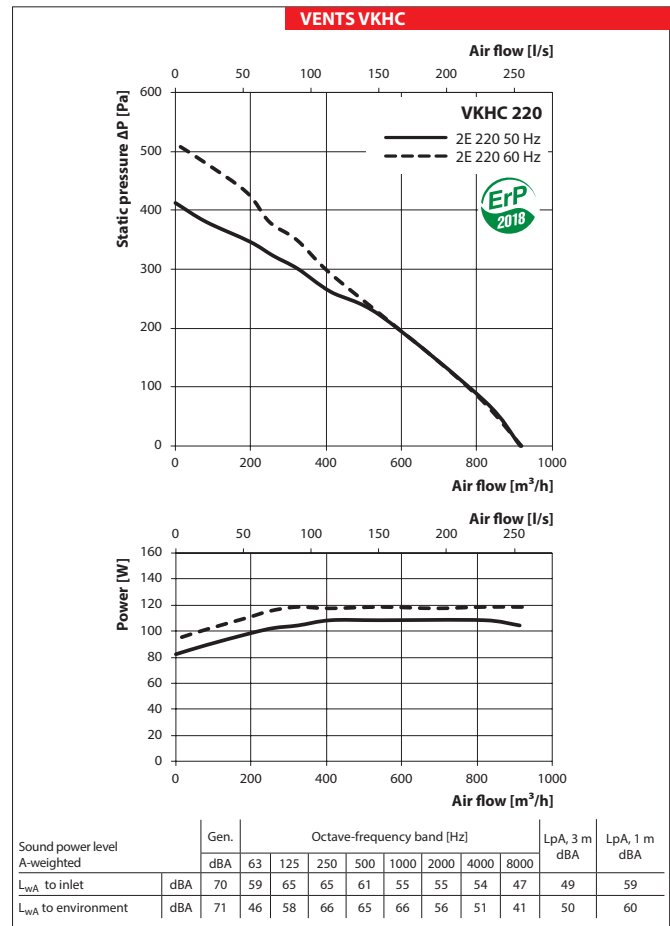
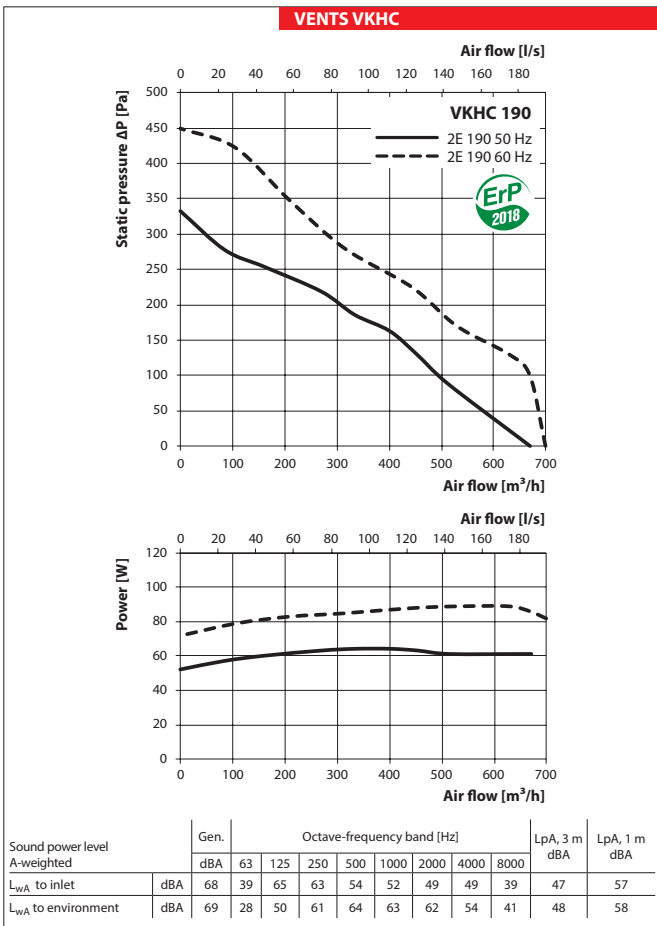
Series and modification	Casing material	Motor modification		Turbine standard size
		Number of poles	Phase	
VENTS VKHC: horizontal air exhaust	_: steel with polymeric coating A: aluminum	2 4	E: single-phase D: three phases	190; 220; 225; 250; 280; 310

Accessories



Technical data

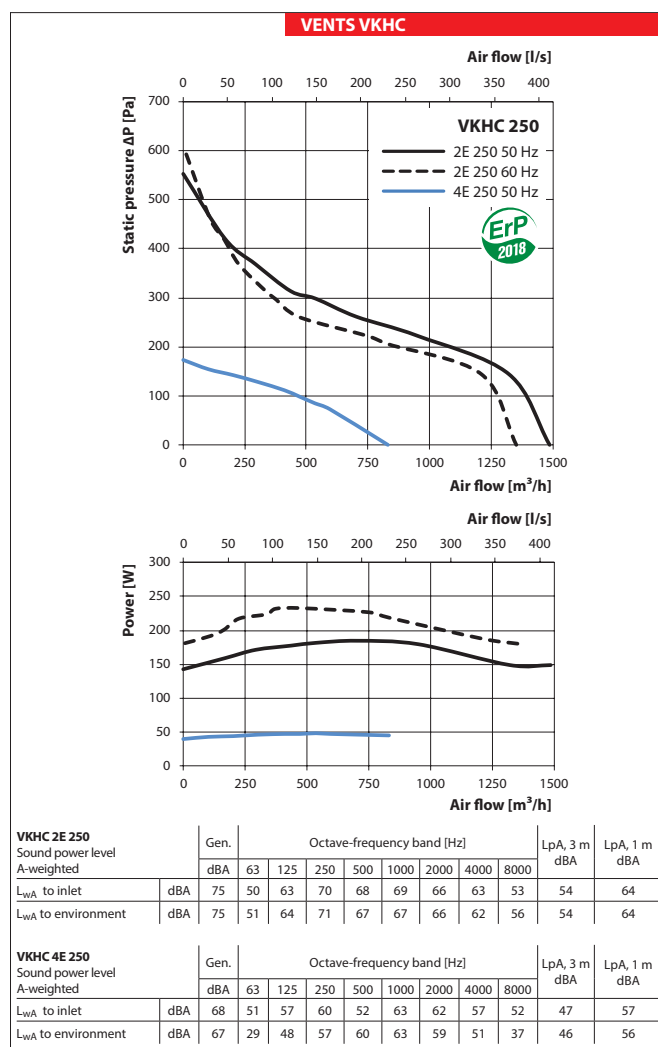
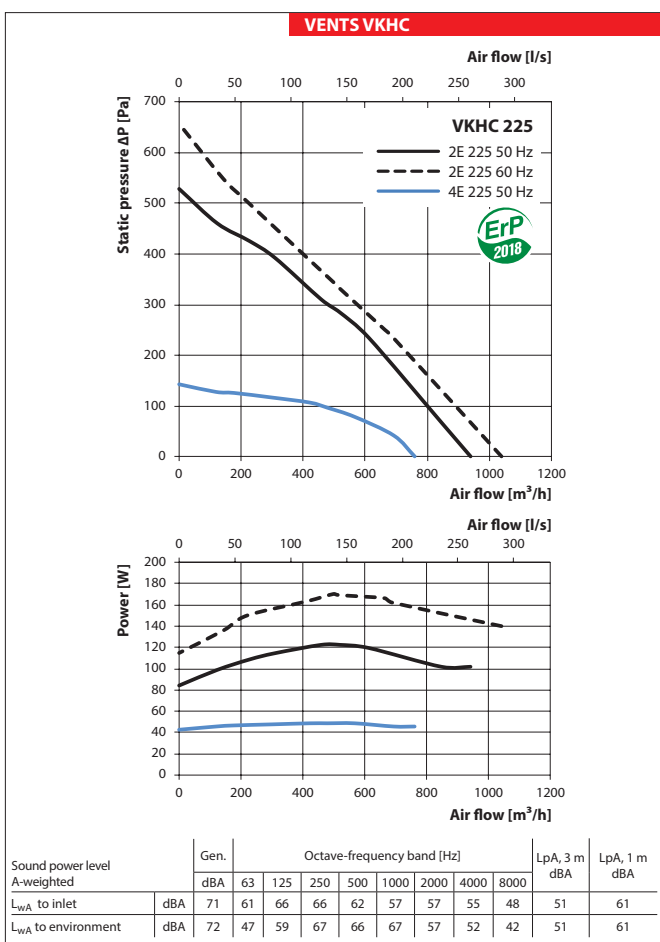
	VKHC 2E 190		VKHC 2E 220	
Voltage [V]	1~230		1~230	
Frequency [Hz]	50	60	50	60
Power [W]	64	89	108	118
Current [A]	0.29	0.40	0.49	0.54
Max. air flow [m ³ /h]	670	700	915	920
Max. air flow [l/s]	186	194	254	256
RPM [min ⁻¹]	2730	2980	2640	2840
Sound pressure level at 3 m [dBA]	48	49	50	51
Transported air temperature [°C]	-25...+50		-25...+50	
Protection rating	IPX4		IPX4	
Motor protection rating	IP44		IP44	
ErP compliance	2018	-	2018	-



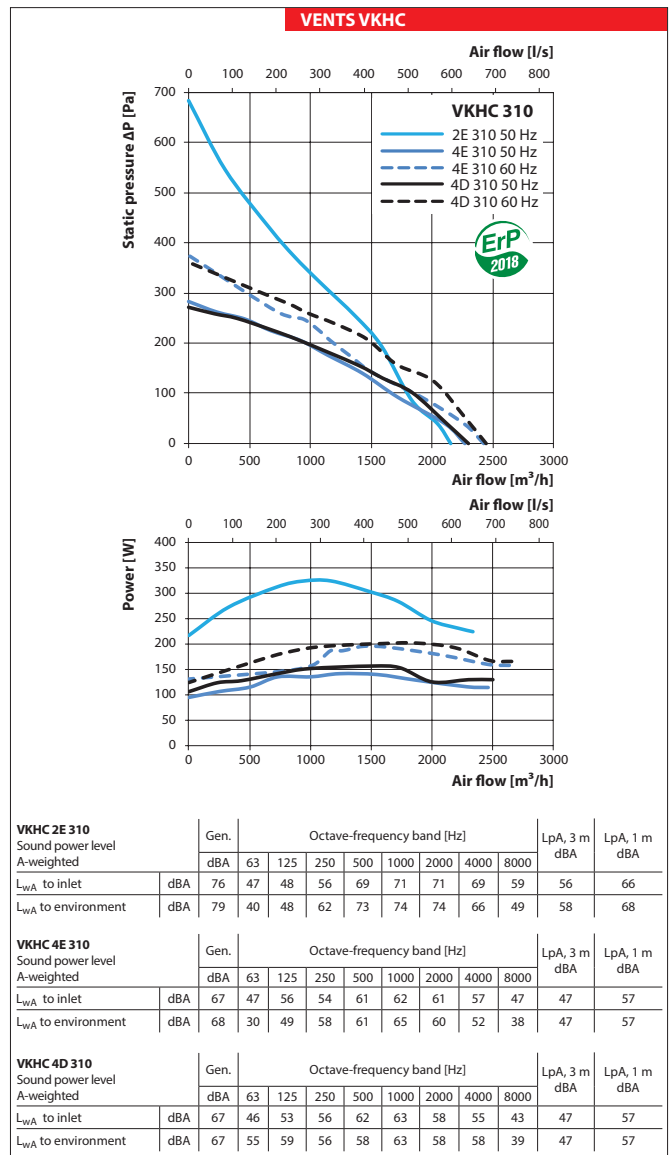
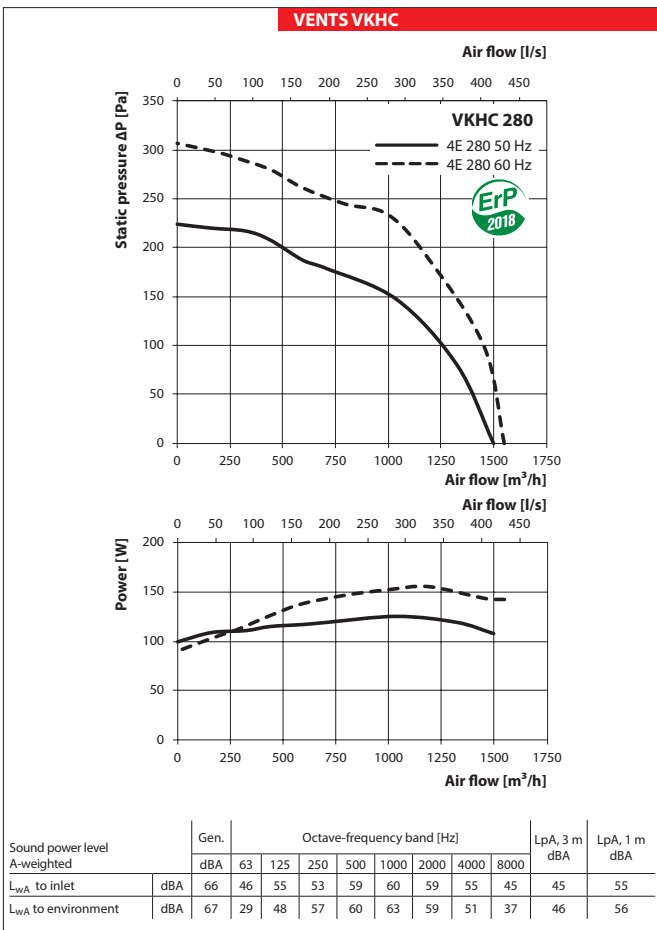
FAN SERIES VENTS VKHC

CENTRIFUGAL ROOF FANS

	VKHC 2E 225		VKHC 4E 225	VKHC 2E 250		VKHC 4E 250
Voltage [V]	1~230		1~230	1~230		1~230
Frequency [Hz]	50	60	50	50	60	50
Power [W]	123	170	49	184	232	48
Current [A]	0.54	0.70	0.22	0.81	0.90	0.23
Max. air flow [m ³ /h]	940	1 040	760	1 485	1 350	830
Max. air flow [l/s]	261	289	211	413	375	231
RPM [min ⁻¹]	2787	2820	1400	2480	2320	1440
Sound pressure level at 3 m [dBA]	51	52	45	54	53	46
Transported air temperature [°C]	-25...+50		-25...+50	-25...+50		-25...+50
Protection rating	IPX4		IPX4	IPX4		IPX4
Motor protection rating	IP44		IP44	IP44		IP44
ErP compliance	2018	-	2018	2018	-	2018



	VKHC 4E 280		VKHC 2E 310		VKHC 4E 310		VKHC 4D 310	
Voltage [V]	1~230		1~230		1~230		3~400	
Frequency [Hz]	50	60	50	50	60	50	60	
Power [W]	125	155	324	141	195	155	202	
Current [A]	0.61	0.99	1.42	0.64	0.87	0.29	0.32	
Max. air flow [m ³ /h]	1 500	1 550	2 150	2 265	2 425	2 300	2 442	
Max. air flow [l/s]	417	431	597	629	674	639	678	
RPM [min ⁻¹]	1446	1710	2620	1420	1740	1410	1550	
Sound pressure level at 3 m [dBA]	46	46	58	47	49	47	48	
Transported air temperature [°C]	-25...+50		-25...+50		-25...+50		-25...+50	
Protection rating	IPX4		IPX4		IPX4		IPX4	
Motor protection rating	IP44		IP44		IP54		IP54	
ErP compliance	2018	-	2018	2018	-	2018	-	



FAN SERIES VENTS VKHC