

User's manual

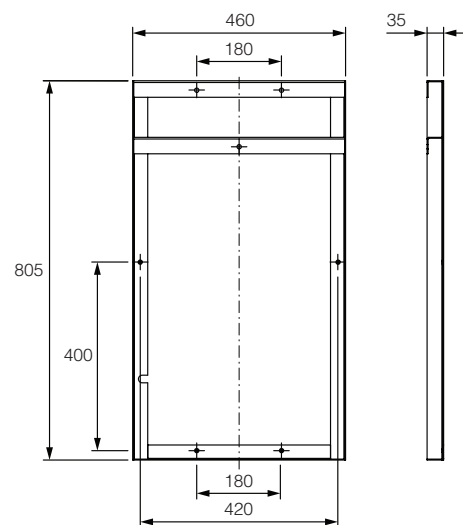
Mounting kit MK2 Micra 150



DESCRIPTION

The MK2 Micra 150 mounting kit is designed for mounting of the Micra 150 unit to the concrete lintel above the window.

The outline drawing of the mounting frame is shown on the right.

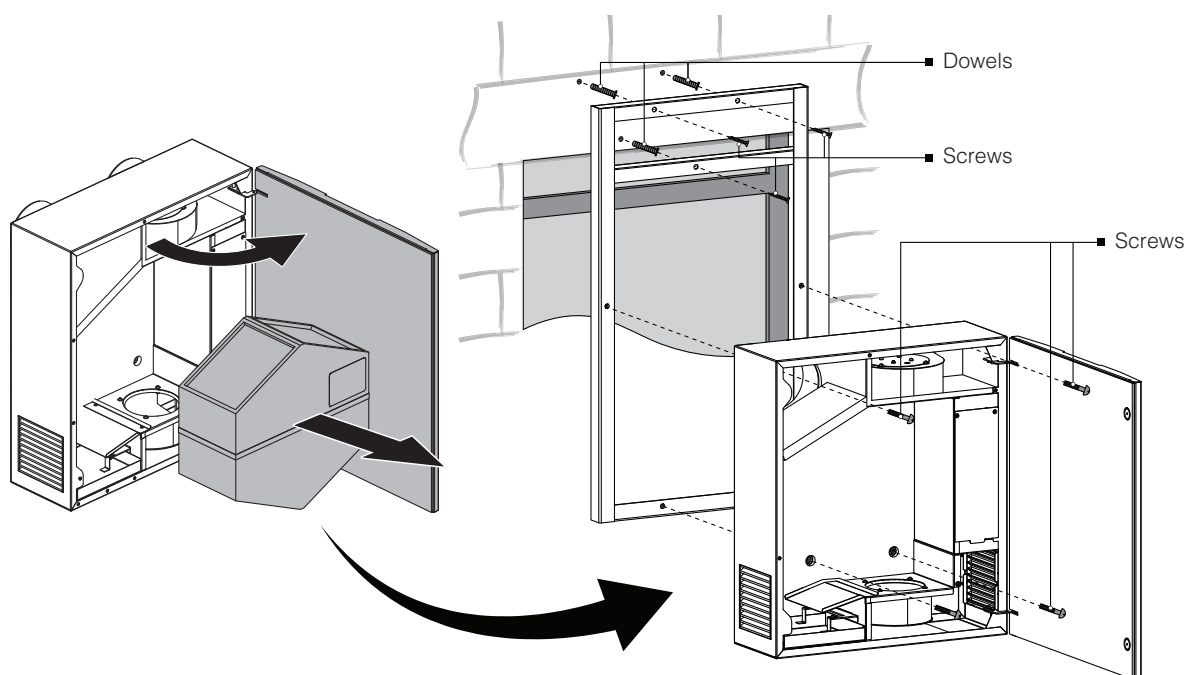


DELIVERY SET

Name	Number
Mounting frame	1 item
Mounting screws	4 items
Dowels with screws	3 items
User's manual	1 item

MOUNTING

To install the unit using the mounting kit open the unit, remove the heat exchanger to gain access to the mounting holes. Attach the mounting frame to the wall or other suitable surface. Then tighten the screws to install the mounting frame.



V137-2EN-01