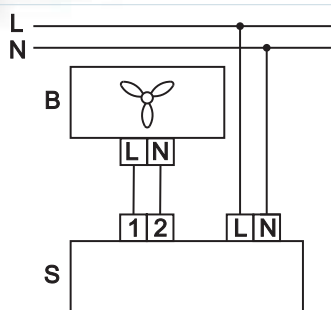


Speed controller RS-...N (V)



Controller wiring diagram

■ Applications

Applied in ventilation systems for speed switching ON/OFF and speed control of the single phase power-controlled motors. Several fans can be controlled synchronously in case their total current does not exceed the maximum permissible values for the controller current.

■ Design and control

Controller has the plastic casing with the control knob, ON/OFF button and pilot light. The controller is featured with high efficiency and control accuracy. Regulation starts from the minimum fan

stable running voltage value to the maximum one. The minimum rotation speed is set by means of the potentiometer on the PCB.

■ Protection

Input circuit of the speed controller has a thermal fuse for overload protection. The controller is fitted with a transient filter.

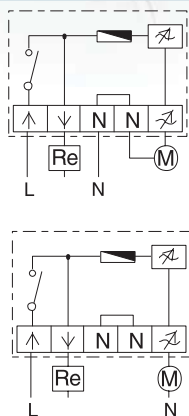
■ Mounting

The controller is designed for indoor wall mounting either on the wall (H modification) or through the wall (V modification).

Technical data:

	RS-1 N (V)	RS-1,5N (V)	RS-2 N (V)	RS-2,5N (V)
Voltage [V / 50 Hz]	1~ 230	1~ 230	1~ 230	1~ 230
Rated current [A]	1.0	1.5	2.0	2.5
Overall dimensions LxWxH [mm]	162x80x70	162x80x70	162x80x70	162x80x70
Maximum ambient temperature [°C]	40	40	40	40
Protection rating	IP 44	IP 44	IP 44	IP 44
Weight [kg]	0.3	0.3	0.3	0.3

Speed controller RS...PS



Controller wiring diagram

■ Applications

Applied in ventilation systems for speed switching ON/OFF and speed control of single phase power-controlled motors. Several fans can be controlled synchronously in case their total current does not exceed the maximum permissible value of the controller current.

■ Design and control

The controller casing is made of plastic. The control knob is equipped with the pilot light. The controller is featured with high efficiency and control accuracy. Switching is effected by means of pressing the control knob. Regulating starts from the minimum to the maximum voltage value for the fan stable running. The minimum speed is

set by means of the potentiometer at the PCB. The controller is equipped with extra 230 V terminal for connection and control of the external equipment.

■ Protection

Input circuit of the speed controller has a thermal fuse for overload protection. The controller is fitted with a transient filter.

■ Mounting

The universal design of the controller enables its mounting either on the wall (H modification) or through the wall (V modification), suitable for installation into standard round electric junction boxes.

Technical data:

	RS-0,5-PS	RS-1,5-PS	RS-2,5-PS	RS-4,0-PS
Voltage [V / 50 Hz]	1~ 230	1~ 230	1~ 230	1~ 230
Minimum current [A]	0.1	0.15	0.25	0.4
Maximum current [A]	0.5	1.5	2.5	4.0
Overall dimensions LxWxH [mm]	82x82x65	82x82x65	82x82x65	82x82x65
Maximum ambient temperature [°C]	35	35	35	35
Protection rating	IP 44	IP 44	IP 44	IP 44
Weight [kg]	0.23	0.24	0.29	0.36