

A25



■ Application

The A25 control panel with a sensor display is used for control of industrial and domestic air handling units with an A21 automation system.

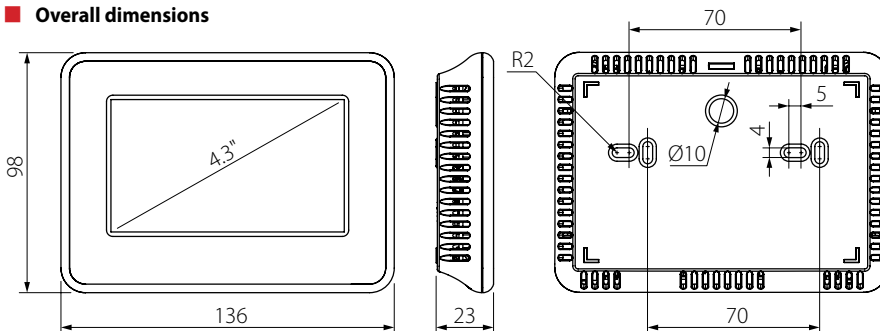
■ Technical data

	A25
Voltage DC [V]	12-32
Current at 24 VDC [A]	0.1
Power cable type (10 m)	4x0.25 mm ²
Temperature range [°C]	from +10 up to +45
Humidity range [%]	from 10 % up to 80 % (no condensation)
SEC class	IP20

■ Control panel functions

- Speed switching
- Filter replacement indication (according to timer or filter clogging differential pressure switch readings)
- Alarm indication
- Week-scheduled operation
- Bypass (automatic and manual)
- Timers
- Boost
- Fireplace
- Freeze protection
- Control of electric and water preheaters and reheaters
- Cooler connection
- Supply air temperature control
- Control of humidity, CO₂, VOC, PM_{2.5}
- Fire alarm connection

■ Overall dimensions



■ Installation

Connection and mounting of the control panel are carried out according to the User's manual of the unit.