

Series
VENTS KSF K2 EC



Inline centrifugal fans in a heat- and sound-insulated casing with air flow up to **1682 m³/h**

Application

The KSF K2 EC fans are designed for supply and exhaust ventilation of premises with high requirements to the noise level and with limited space for mounting. For example, the unit design includes a possibility of space-restricted installation above suspended ceilings. Compatible with Ø 100-250 mm air ducts.

Design

The fan casing is made of aluzinc. For easy installation and operation, the cover of the fan is secured with a special lock. The casing is heat- and sound-insulated with a 50 mm layer of non-flammable mineral wool. To ensure better noise absorption, the inner surface of the insulation is made of a perforated metal sheet. The round connecting spigots are rubber sealed.



Motor

The units feature efficient electronically commutated (EC) direct current motors with an external rotor and centrifugal impellers with forward curved blades. EC motor is free of friction and wear parts such as a commutator and brushes. These components are replaced by a maintenance-free electronic circuit board. EC motors are characterised with high performance and optimum control across the entire speed range. In addition to that, the efficiency of the electronically commutated motor reaches very impressive levels of up to 90 %.

Integrated functions and control

The fan is controlled with an external control signal 0-10 V (capacity control is performed depending on temperature, pressure, smoke level etc.). The fan has low energy consumption at any speed. Maximum fan speed does not depend on the available current frequency and is suitable for operation both at 50 and 60 Hz. The fans can be connected to centralized computer ventilation control systems.

Installation

Duct fans are intended for mounting to round air ducts. The fans are installed between the air ducts. In case the fan is mounted on flexible joints, attach the fan to a structural unit by means of supports, suspension links or brackets. The fan may be installed in any position in consideration of the air flow direction (as indicated by the arrow on the fan casing). While mounting the fan provide enough access for servicing and repair operations.

Designation key

Series	Spigot diameter	Modification	Motor	Options
VENTS KSF	100, 125, 150, 160, 200, 250	K2: heat- and sound-insulated casing	EC: synchronous electronically commutated motor	R: power cord with IEC C14 connector

Accessories



Silencer

Filters

Heaters

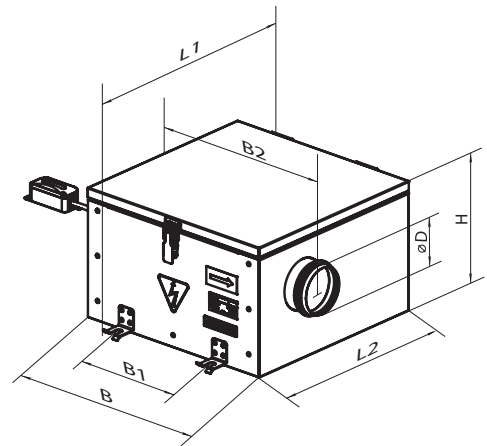
Back valve

Air damper

Speed controller

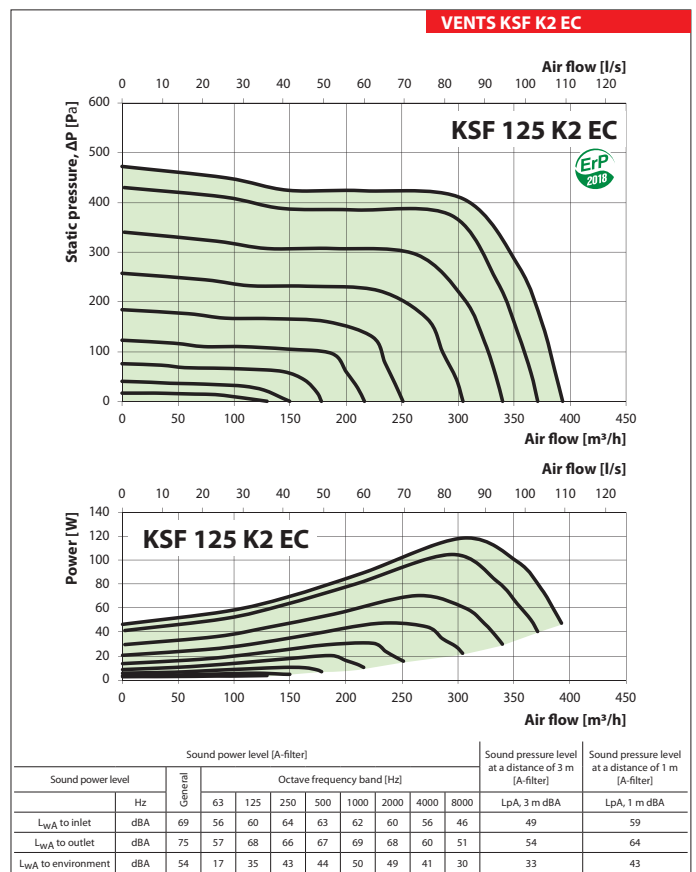
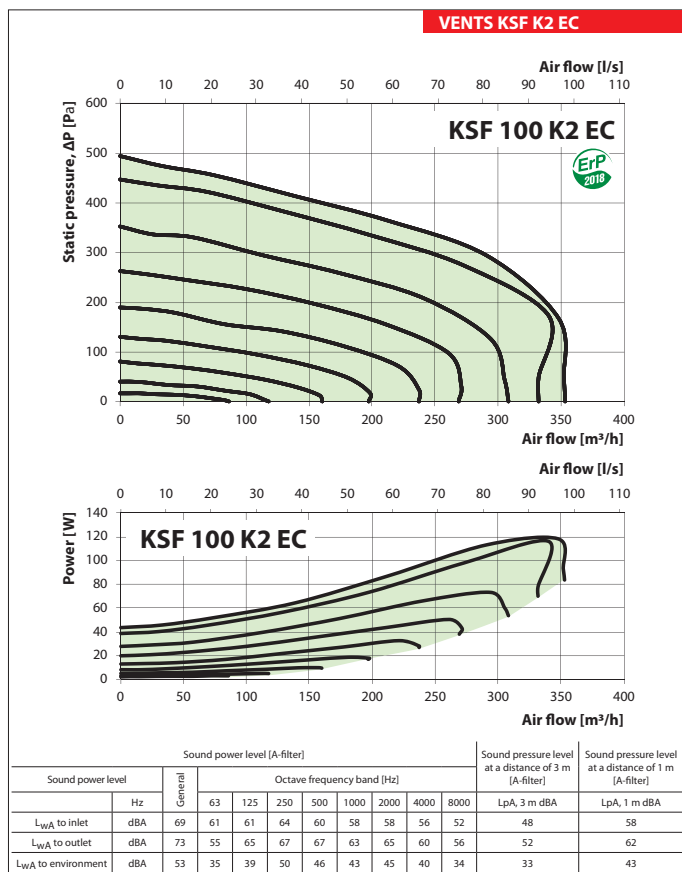
Overall dimensions of fans

Model	Dimensions [mm]							Weight [kg]
	∅D	B	B1	B2	H	L1	L2	
KSF 100 K2 EC	97	512	360	589	280	553	460	17
KSF 125 K2 EC	122	512	360	589	280	553	460	17
KSF 150 K2 EC	147	592	390	669	350	613	520	24
KSF 160 K2 EC	157	592	390	669	350	613	520	24
KSF 200 K2 EC	197	552	374	629	380	646	553	26
KSF 250 K2 EC	247	665	487	742	411	699	606	33



Technical data

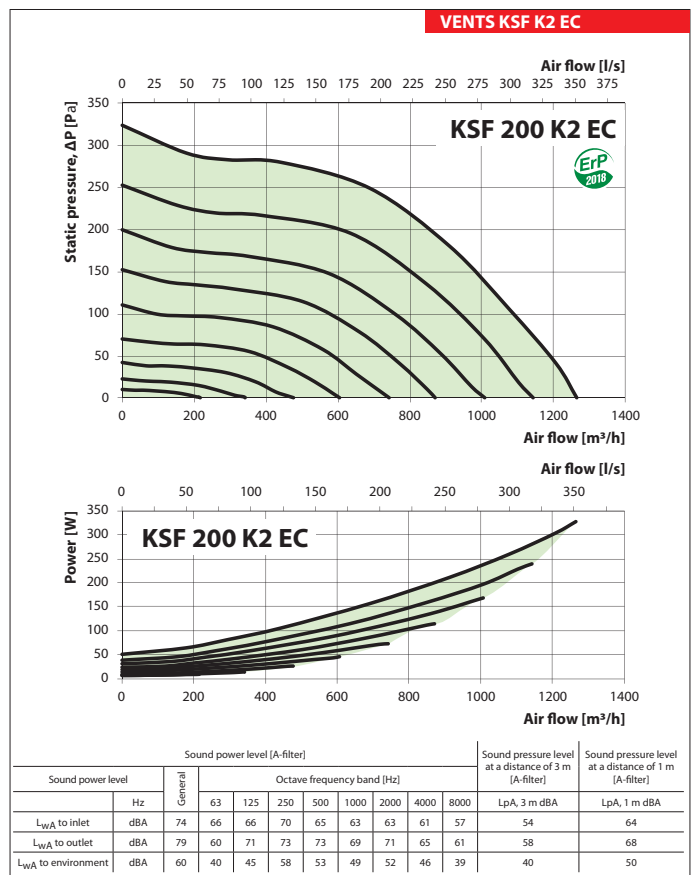
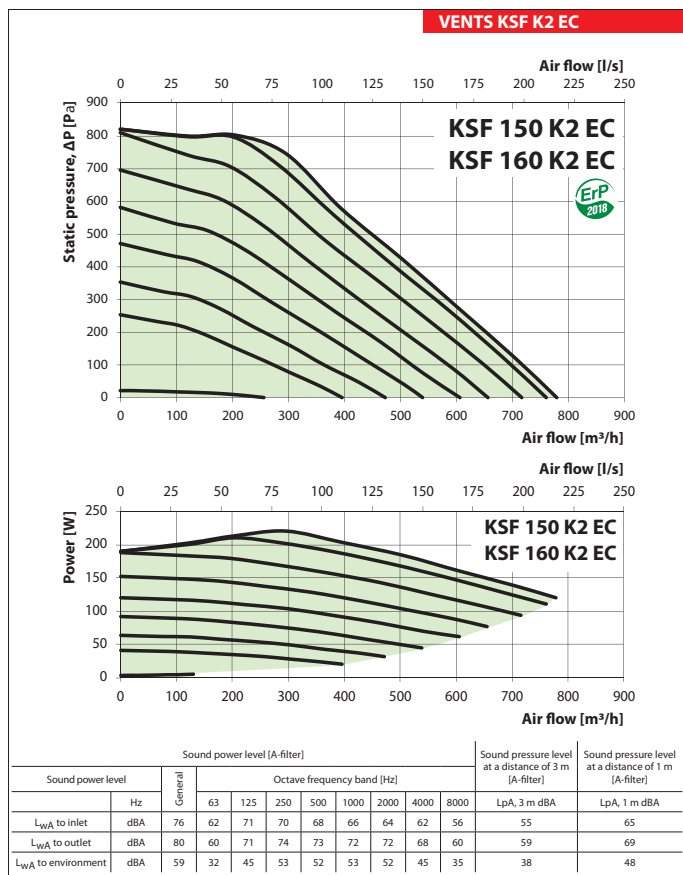
	KSF 100 K2 EC	KSF 125 K2 EC
Unit voltage [V/50 (60) Hz]	1~230	1~230
Power [W]	118	118
Current [A]	0.92	0.92
Maximum air flow [m³/h]	353	393
RPM [min ⁻¹]	3000	3000
Sound pressure level at 3 m distance [dBA]	33	33
Maximum transported air temperature [°C]	-25...+50	-25...+50
SEC class	C	C
Ingress protection rating	IP44	IP44



SOUND-INSULATED FANS

Technical data

	KSF 150 K2 EC KSF 160 K2 EC	KSF 200 K2 EC
Unit voltage [V/50 (60) Hz]	1~230	1~230
Power [W]	220	259
Current [A]	0.59	1.45
Maximum air flow [m ³ /h]	779	1264
RPM [min ⁻¹]	2070	1600
Sound pressure level at 3 m distance [dBA]	38	40
Maximum transported air temperature [°C]	-25...+50	-25...+50
SEC class	B	-
Ingress protection rating	IP44	IP44



Technical data

KSF 250 K2 EC	
Unit voltage [V/50 (60) Hz]	1~230
Power [W]	374
Current [A]	1.77
Maximum air flow [m ³ /h]	1682
RPM [min ⁻¹]	1400
Sound pressure level at 3 m distance [dBA]	41
Maximum transported air temperature [°C]	-25...+50
SEC class	-
Ingress protection rating	IP44

