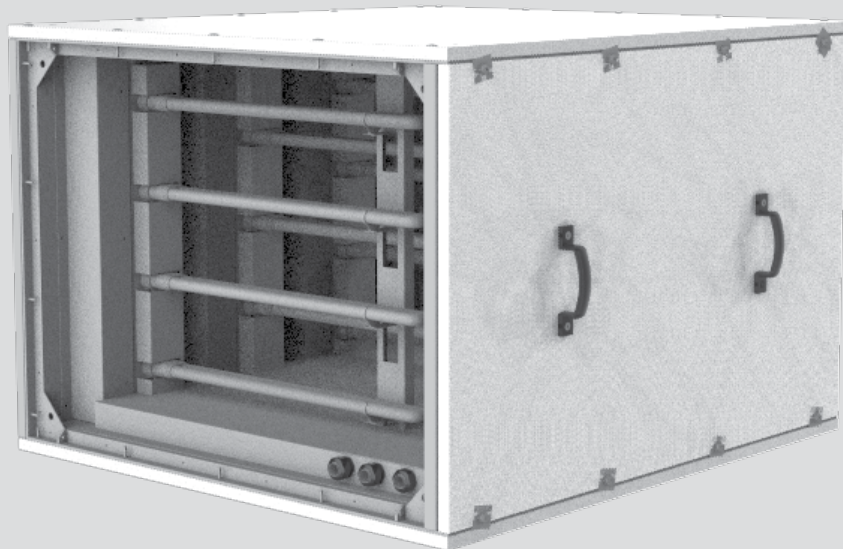


INSTALLATION AND OPERATION MANUAL

UV



Germicidal chamber

The unit is a component part and is not designed for independent operation.

The unit design is constantly being improved, thus some models may be slightly different from those described in this manual.

WARNING!

The product contains a source of UV radiation.

Use caution during transport, installation and operation of the product. The germicidal chamber contains fragile UV lamps!

UV radiation is harmful to the eyes and skin. Do not activate the UV light source outside the unit. Misuse of the unit or damage to its casing may result in the leakage of hazardous ultraviolet radiation.

Do not operate an obviously damaged unit.

Prior to opening the unit, read the maintenance manual.

The unit must be disconnected from the power supply before replacing the UV light source.

Turn off the power supply before servicing.

DELIVERY SET

Germicidal chamber	1
Installation and operation manual	1
Set of lamps as ordered	1
Packing box	1

USE

Ultraviolet germicidal radiation is the most effective way of eliminating pathogenic microflora in indoor air and is used as a preventive sanitary and anti-epidemic measure.

The chamber is used for germicidal treatment of supply air in category IV premises (children's playrooms, school classrooms, household premises of industrial and public buildings where a large number of people spend extended periods of time).

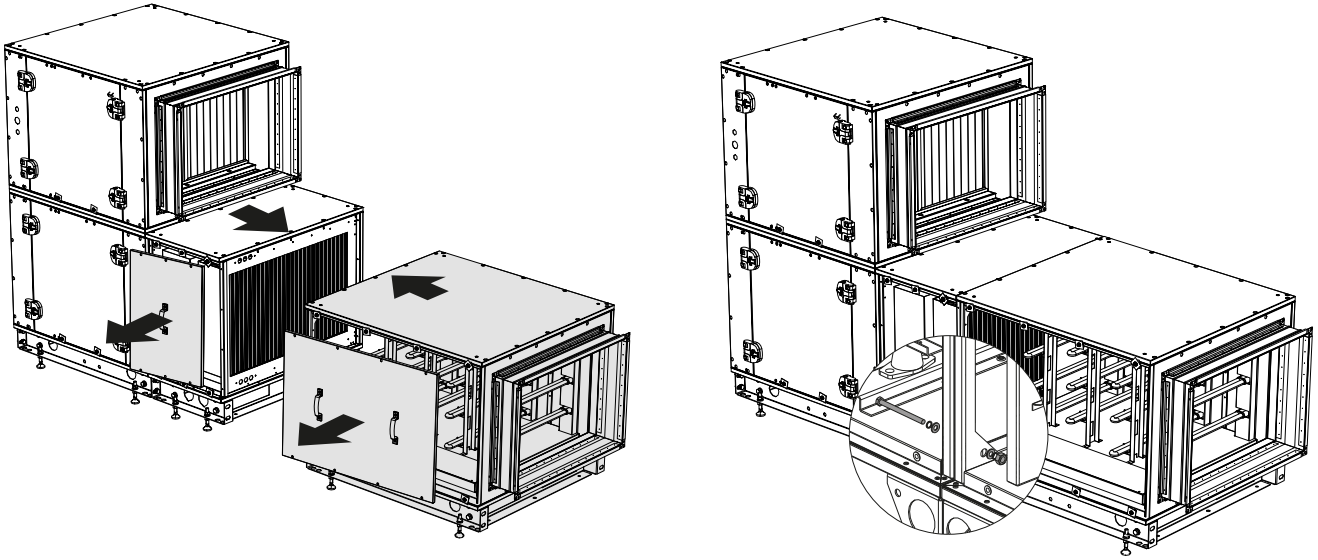
The unit is designed for indoor use, with or without people present. It is safe for people, animals and plants. It inactivates viruses, bacteria, mould, fungus, yeast, spores and other microorganisms.

The germicidal chamber must be ordered separately and installed into a ventilation unit by a qualified professional.

INSTALLATION OF THE CHAMBER

The chamber must be installed by a qualified installer and electrician.

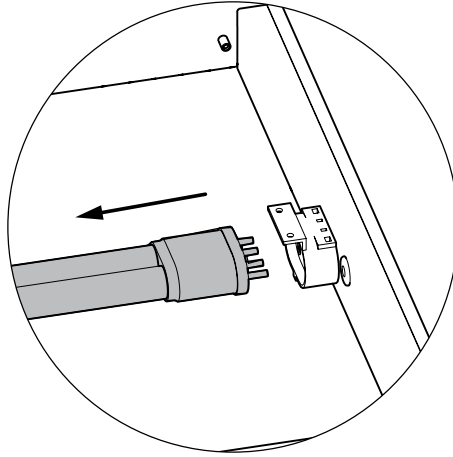
Installation of the chamber must be performed by a qualified installer and electrician. To connect the sections, open the service panels and tighten them together using bolt through the special mounting holes. The mounting frames of the individual sections or legs must also be tighten together. Connect the connector of the germicidal chamber to the connector using the unit control cable (installed by the manufacturer). Close the service panels.



REPLACING THE LAMPS

ATTENTION! Wear clean cotton gloves when dismantling (removing) and reinstalling (installing) UV lamps to avoid leaving marks on the glass surface that could interfere with the normal operation of the lamp.

Gently pull the lamp out of the socket as shown below.



Install a new lamp. Use only OSRAM PURITEC HNS L95W 2G11 or equivalent lamps for replacement.

**When disposing of a used ultraviolet lamp,
follow the regulations for hazardous waste!**

Replace the lamps as necessary or at the end of their life of 9,000 hours of continuous operation (approximately 12 months). Efficient operation of the lamps is guaranteed only during this period.

To record the service life of the germicidal lamps, it is necessary to keep a record of the lamp operating time. Over the course of their use, the power of the germicidal flux decreases. To compensate for this, it is necessary to increase the initially set irradiation time by 1.2 times after 1/3 of the nominal operation time (3,000 hours), and by 1.3 times after 2/3 of the operation time (6,000 hours). Lamp operating times must be recorded in a log.



VENTS