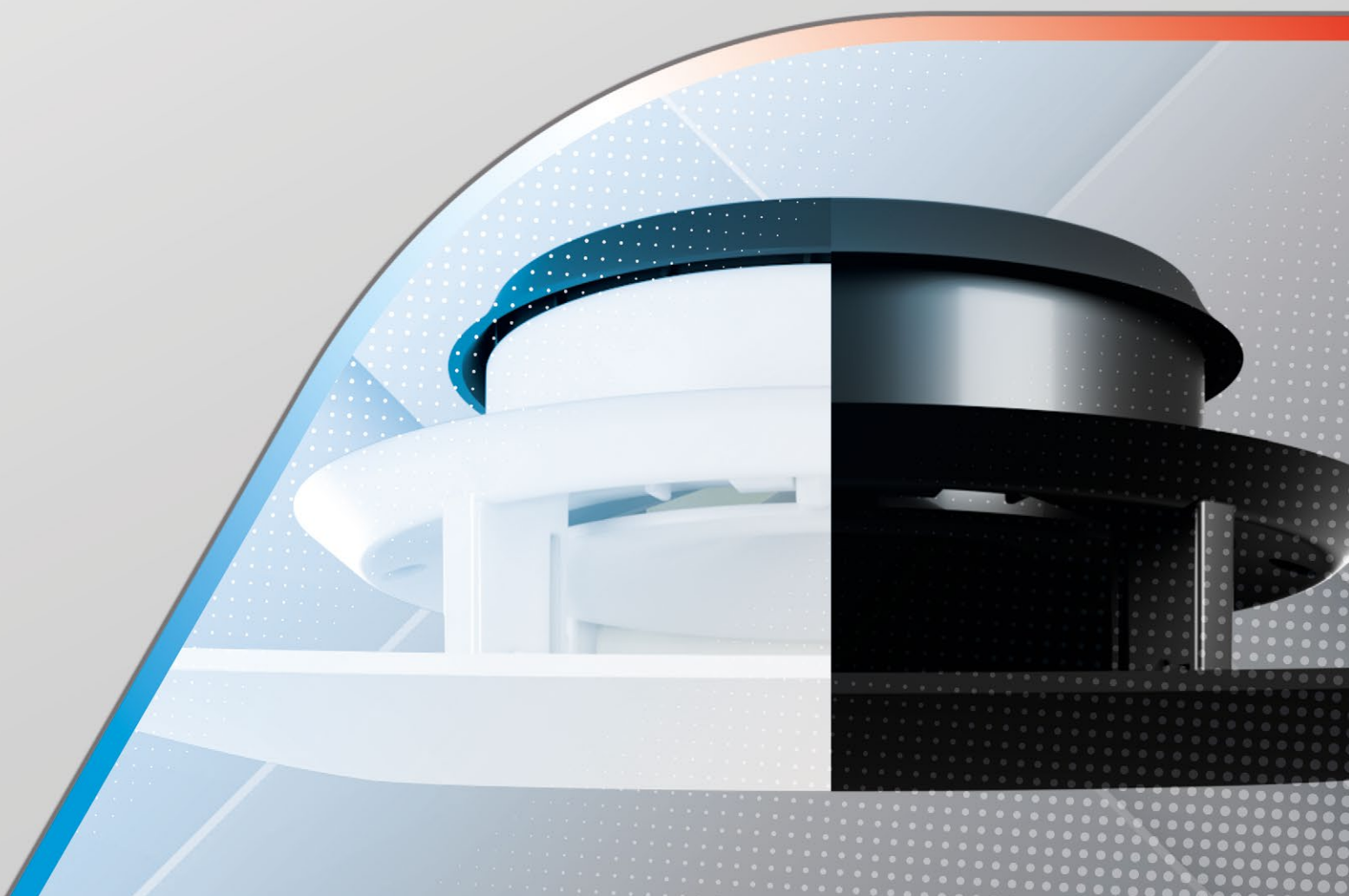




Disc valve
with decorative panel
VELA AP 125 RF

2025





AP 125 RF



White



Black



Antistatic modification



Wall and ceiling installation



Supply and extract air

FEATURES



Aerodynamic shape



Air flow adjustment



Air flow direction is selectable

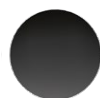


Easy installation and maintenance

PANELS



AP 125 RF-0



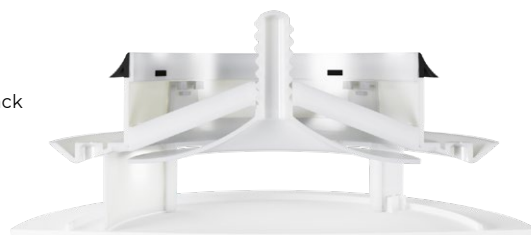
AP 125 RF-0 black



AP 125 RF-C

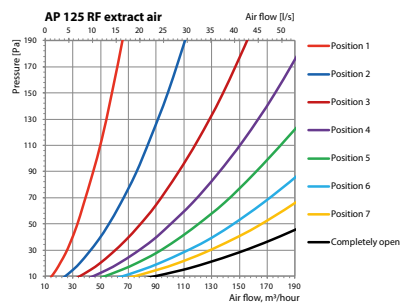
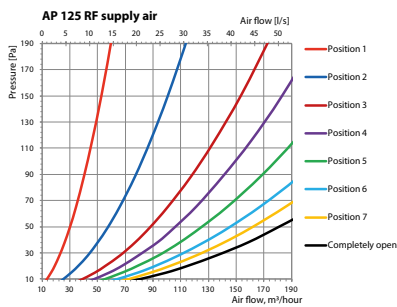


AP 125 RF-C black



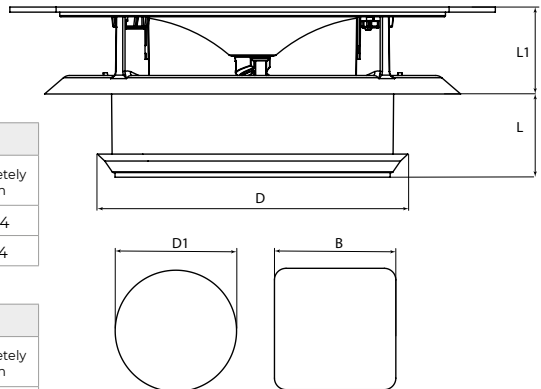


AERODYNAMIC DATA



OVERALL DIMENSIONS [MM]

Model	AP 125 RF-0	AP 125 RF-C
Ø D	125	125
Ø D1	210	-
B	-	210
L	36	36
L1	39	39



	Equivalent cross-section [mm]							
	Position 1	Position 2	Position 3	Position 4	Position 5	Position 6	Position 7	Completely open
Supply air	1517	2784	4338	5274	6231	7185	8099	9004
Extract air	1628	2728	3903	4969	5930	7360	8369	9974

	K-factor							
	Position 1	Position 2	Position 3	Position 4	Position 5	Position 6	Position 7	Completely open
Supply air	4,4	8,3	12,6	15,0	18,0	21,1	23,4	26,0
Extract air	4,8	8,1	11,4	14,5	17,4	20,6	23,2	28,2



**Disc valve with decorative panel
VELA AP 125 RF**

The catalogue information is for reference only.

VENTS reserves the rights to modify any of its products' features, designs, components and specifications at any time and without notice to maintain the development and quality of manufactured goods.

2025-03

ventilation-system.com

