

## A...PR Series



### Application

- For supply ventilation, air conditioning and heating.
- Designed for wall mounting or installation into false ceiling.
- Used to arrange correct air supply and circulation in premises.

### Design

- Made of high quality plastic (ABS plastic or polystyrene).
- Special aerodynamic disk valve design ensures uniform air distribution.
- Smooth air pass regulation due to rotation of central part of the damper.
- Easy mounting with fixing lugs.
- The internal part has a sealing ring for more tight fit.

### Grille modifications

#### A 150 PR – basic modification



- Equipped with fixing lugs for easy connection with Ø 150 mm round air ducts.
- Modification may include **F 150** flange (available upon separate order).



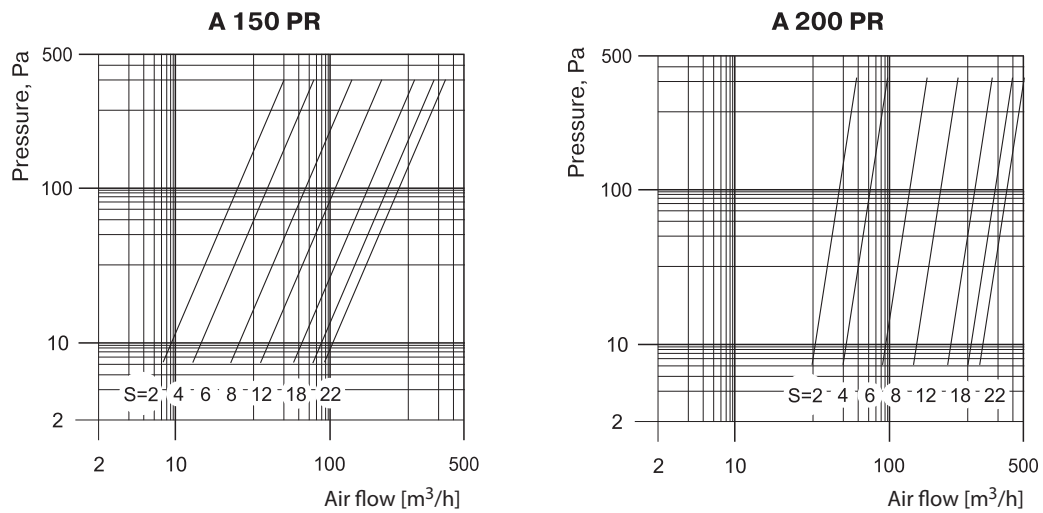
#### A 200 PR – two-element models



- Equipped with fixing lugs for easy connection with Ø 200 mm round air ducts.
- Two regulating elements for more perfect air flow distribution.
- Modification may include **F 200** flange (available upon separate order).



### ■ Technical parameters



The internal part of the air disk valve is pulled out to ensure the required clearance  $S$  (mm) to provide required air flow according to the diagram.

### ■ Overall dimensions

Model	Dimensions [mm]							Air pass, [m <sup>2</sup> ]	Damper normal pitch, [mm]	Fig. no.
	D	D1	D2	D3	H max	H1	H2			
A 150 PR	150	125	155	200	80.5	50	30	0...0.011	0...21	1
A 200 PR	200	177.6	155	246	80.5	53	33	0...0.012	0...21	2

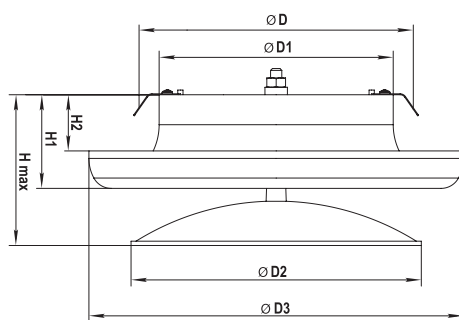


Fig. 1

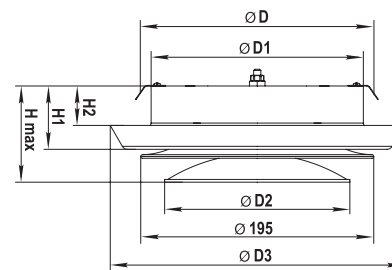


Fig. 2