

# USER'S MANUAL

---

**Breezy 160-E**

**Breezy 160-E L055**

**Breezy 160-E L07**

**Breezy 160-E L1**

**Breezy 160-E Smart**

**Breezy 160-E Smart L055**

**Breezy 160-E Smart L07**

**Breezy 160-E Smart L1**

**Breezy 200-E**

**Breezy 200-E L055**

**Breezy 200-E L07**

**Breezy 200-E L1**

**Breezy 200-E Smart**

**Breezy 200-E Smart L055**

**Breezy 200-E Smart L07**

**Breezy 200-E Smart L1**



Single Room Heat Recovery Ventilation Unit

## CONTENTS

Safety requirements.....	2
Purpose.....	4
Delivery set.....	4
Designation key.....	4
Technical data.....	5
Design and operating principle .....	6
Mounting and set-up.....	7
Connection to power mains .....	12
Unit control .....	13
Technical maintenance.....	17
Storage and transportation regulations.....	18
Manufacturer's warranty .....	19
Certificate of acceptance.....	23
Seller information.....	23
Installation certificate.....	23
Warranty card.....	23

This user's manual is a main operating document intended for technical, maintenance, and operating staff.

The manual contains information about purpose, technical details, operating principle, design, and installation of the Breezy 160/200-E (Smart) (L055/07/1) unit and all its modifications.

Technical and maintenance staff must have theoretical and practical training in the field of ventilation systems and should be able to work in accordance with workplace safety rules as well as construction norms and standards applicable in the territory of the country.

## SAFETY REQUIREMENTS

This unit is not intended for use by persons (including children) with reduced physical, sensory or mental capabilities, or lack of experience and knowledge, unless they have been given supervision or instruction concerning use of the unit by a person responsible for their safety. Children should be supervised to ensure that they do not play with the unit.

This appliance can be used by children aged from 8 years and above and persons with reduced physical, sensory or mental capabilities or lack of experience and knowledge if they have been given supervision or instruction concerning use of the appliance in a safe way and understand the hazards involved.

Cleaning and user maintenance shall not be made by children without supervision.

Children shall not play with the appliance.

Connection to the mains must be made through a disconnecting device, which is integrated into the fixed wiring system in accordance with the wiring rules for design of electrical units, and has a contact separation in all poles that allows for full disconnection under overvoltage category III conditions.

If the supply cord is damaged, it must be replaced by the manufacturer, its service agent, or similarly qualified persons in order to avoid a safety hazard.

Precautions must be taken to avoid the back-flow of gases into the room from the open flue of gas or other fuel-burning appliances.

Ensure that the unit is switched off from the supply mains before removing the guard.

Do not attach the product to the support using glue or adhesives. Use only the fastening method specified in the "User's manual".

All operations described in this manual must be performed by qualified personnel only, properly trained and qualified to install, make electrical connections and maintain ventilation units.

Do not attempt to install the product, connect it to the mains, or perform maintenance yourself. This is unsafe and impossible without special knowledge.

Disconnect the power supply prior to any operations with the unit.

All user's manual requirements as well as the provisions of all the applicable local and national construction, electrical, and technical norms and standards must be observed when installing and operating the unit.

Disconnect the unit from the power supply prior to any connection, servicing, maintenance, and repair operations.

Connection of the unit to power mains is allowed by a qualified electrician with a work permit for the electric units up to 1000 V after careful reading of the present user's manual.

Check the unit for any visible damage of the impeller, the casing, and the grille before starting installation. The casing internals must be free of any foreign objects that can damage the impeller blades.

While mounting the unit, avoid compression of the casing! Deformation of the casing may result in motor jam and excessive noise.

Misuse of the unit and any unauthorised modifications are not allowed.

Transported air must not contain any dust or other solid impurities, sticky substances, or fibrous materials.

Do not use the unit in a hazardous or explosive environment containing spirits, gasoline, insecticides, etc.

Do not close or block the intake or extract vents in order to ensure the efficient air flow.

Do not sit on the unit and do not put objects on it.

The information in this user's manual was correct at the time of the document's preparation.

The Company reserves the right to modify the technical characteristics, design, or configuration of its products at any time in order to incorporate the latest technological developments.

Never touch the unit with wet or damp hands.

Never touch the unit when barefoot.

**BEFORE INSTALLING ADDITIONAL EXTERNAL DEVICES, READ THE RELEVANT USER MANUALS.**



**THE PRODUCT MUST BE DISPOSED SEPARATELY AT THE END OF ITS SERVICE LIFE**

**DO NOT DISPOSE THE UNIT AS UNSORTED DOMESTIC WASTE**

## PURPOSE

The ventilator is designed to ensure continuous mechanical air exchange in flats, cottages, hotels, cafés and other domestic and public premises. The ventilator is equipped with a regenerator that enables supply of fresh filtered air heated by means of extract air heat energy recovery.

The ventilator is designed for installation on external walls.

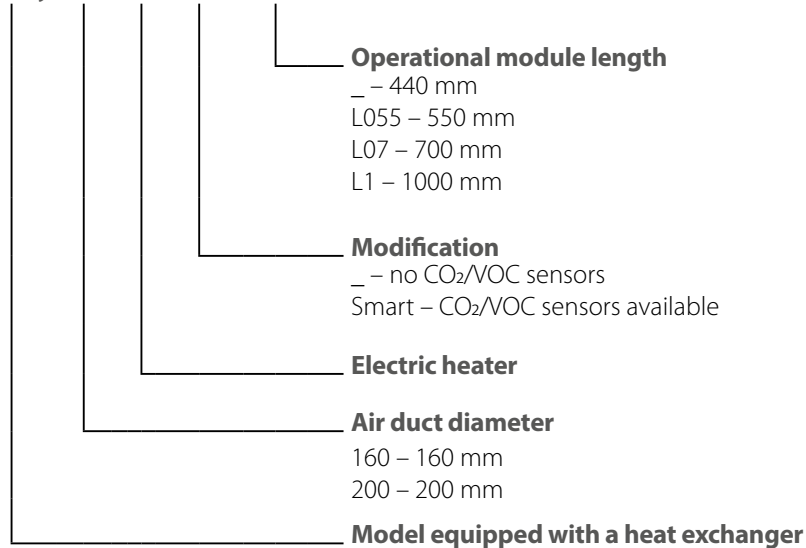
The ventilator is rated for continuous operation.

## DELIVERY SET

Name	Quantity
The unit	1 pc.
Remote control	1 pc.
Mounting kit	1 pc.
Mounting wedges	1 set
Sealer	1 pc.
Mounting template	1 pc.
User's manual	1 pc.
Packing box	1 pc.

## DESIGNATION KEY

**Breezy 160 - E Smart L07**



## TECHNICAL DATA

The temperature in the room where the indoor unit of the ventilator is installed must be in the range from +1 °C to +40 °C and relative humidity up to 70% (without humidity condensation). Provide fresh air through the windows.

The temperature of the transported air should be in the range from -30 °C to +40 °C.

The power consumption of the product depends on the use of the built-in heaters. The power consumption ranges without the use of the heaters (mode 1) and with the use of the heaters (mode 2) are indicated on the label.

The unit is rated as a class II electric appliance.

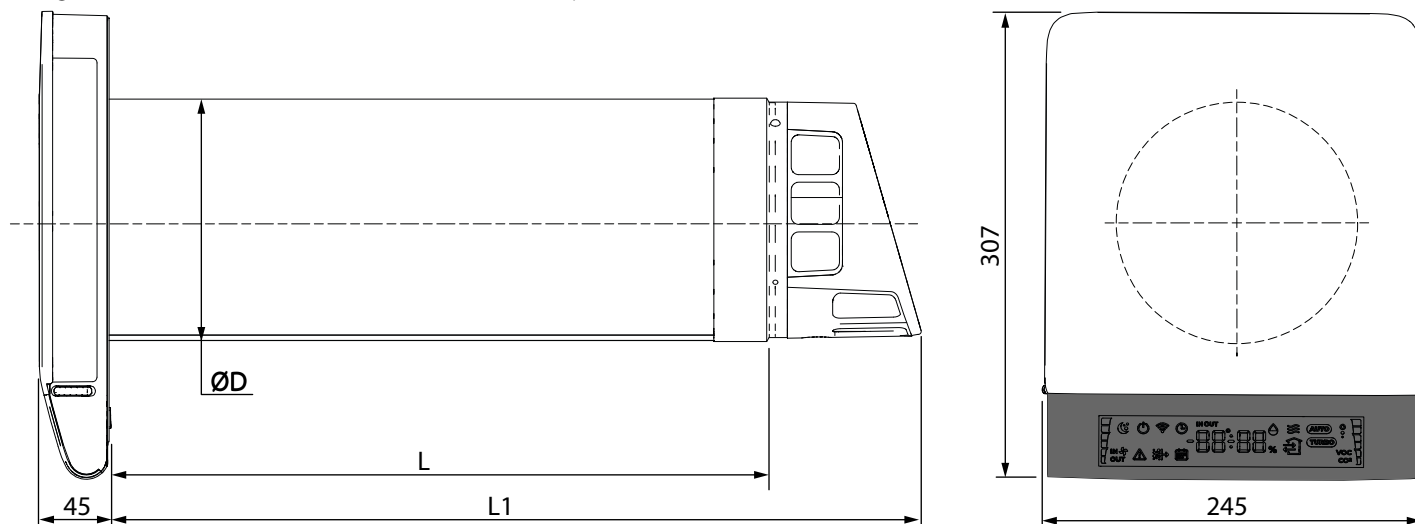
Ingress protection rating against access to hazardous parts and water ingress is IPX4.

The unit design is constantly being improved, thus some models may slightly differ from those described in this manual.

Parameters	Breezy 160-E Breezy 160-E Smart			Breezy 200-E Breezy 200-E Smart		
	1	2	3	1	2	3
Speed						
Power mains parameters	220-240 V 50/60Hz			220-240 V 50/60Hz		
Power consumption without heater [W]	5.00	12.00	22.00	2.40	12.00	16.00
Power consumption of built-in heater [W]	100.00			100.00		
Unit current without heater [A]	0.030	0.070	0.100	0.030	0.070	0.100
Total unit current [A]	0.550	0.590	0.620	0.560	0.600	0.630
Air flow [m <sup>3</sup> /h]	15	35	57 (70*)	15	50	70 (90*)
Noise level at 1 m [dBA]	23	44	53	25	48	55
Noise level at 3 m [dBA]	12	34	42	15	37	45
Heat recovery efficiency [%]	≤88			≤85		
Transported air temperature [°C]	-30 ... + 40			-30 ... + 40		
Filter	G3			G3		
SEC-class	A			A		

\*Boost mode

The figure below shows the overall dimensions of the product.



Model	$\varnothing D$	L	L1
<b>Breezy 160-E (Smart)</b>	162	440	540
<b>Breezy 160-E (Smart) L055</b>	162	550	650
<b>Breezy 160-E (Smart) L07</b>	162	700	800
<b>Breezy 160-E (Smart) L1</b>	162	1000	1100

Model	$\varnothing D$	L	L1
<b>Breezy 200-E (Smart)</b>	206	440	540
<b>Breezy 200-E (Smart) L055</b>	206	550	650
<b>Breezy 200-E (Smart) L07</b>	206	700	800
<b>Breezy 200-E (Smart) L1</b>	206	1000	1100

## DESIGN AND OPERATING PRINCIPLE

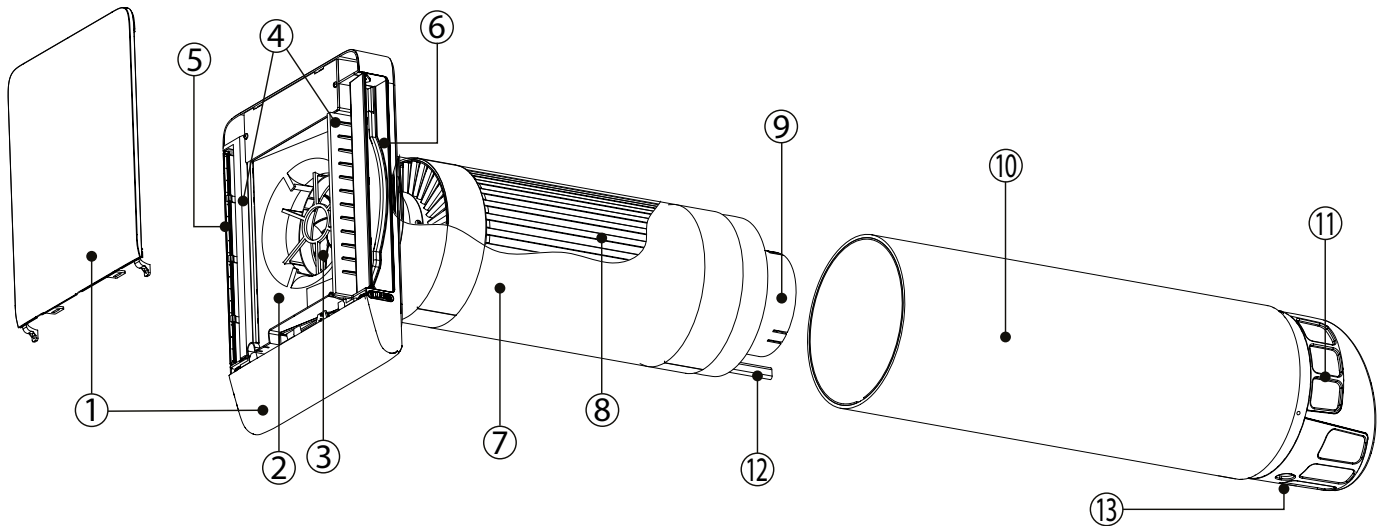
The product consists of an operating module with the indoor unit and external coating.

The operating module contains fans, the heat exchanger, heaters, supply and extract air ducts. Heat exchanger is used to transfer heat energy between the air flows. This is how extract air heat energy is utilized to warm up supply air.

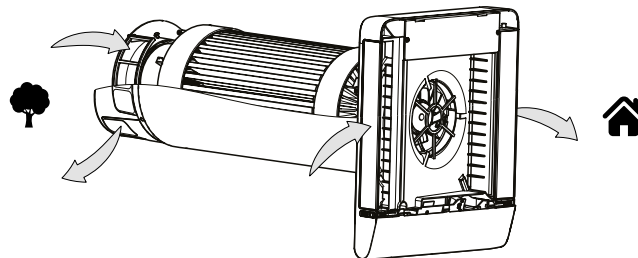
Extract and supply air duct inlets are equipped with rough filters and manual rotating dampers.

The filters are intended to prevent ingress of dust and foreign objects inside the heat exchanger and fans. The rotating dampers can be used to manually shut air ducts when the product is unused.

The external coating has a ventilation hood on the outdoor side intended for directed air removal and preventing water and foreign objects from ingress into the product.



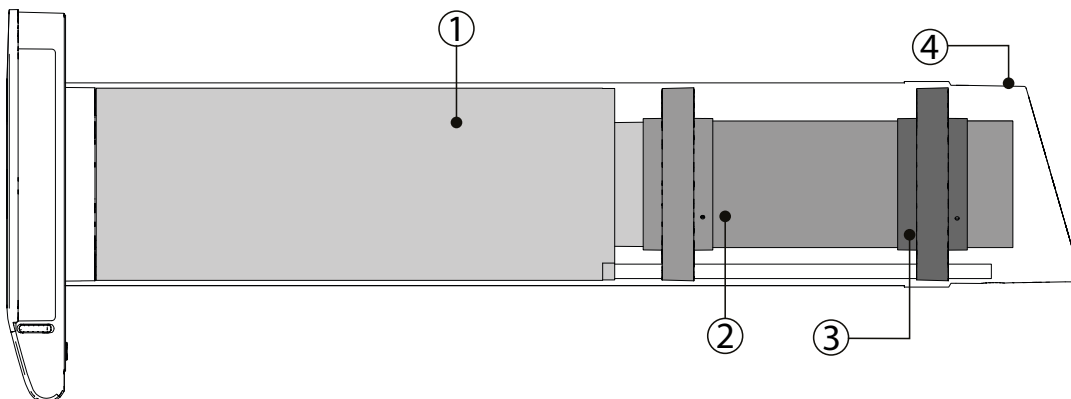
1 – decorative panels; 2 – indoor unit; 3 – supply fan; 4 – filters; 5 – supply duct outlet;  
6 – exhaust duct inlet; 7 – film heater; 8 – heat exchanger; 9 – exhaust fan; 10 – external coating;  
11 – ventilation hood; 12 – condensate heater; 13 – condensate drain outlet.



Models labelled as L055; L07; L1 feature an air duct extension node.

When using these models, it is possible to manually shorten the product before mounting so that the value L mentioned on the figure in the «Technical data» section equals the wall thickness.

The figure below illustrates the location of an operation module and air duct extension node parts inside the coating.



1 – operating module; 2 – assembled internal air duct extender and the first stabilizing coupling;  
3 – second stabilizing coupling; 4 – external coating.

## MOUNTING AND SET-UP



**READ THE USER'S MANUAL BEFORE INSTALLING THE UNIT**



**WHEN THE PRODUCT IS INSTALLED IN BUILDINGS, WHERE WIND OVERLOAD IS POSSIBLE, IN PREMISES WITH PASSIVE VENTILATION, FIREPLACES OR PRE-INSTALLED VENTILATION UNITS (EXTRACT FANS, KITCHEN HOOD ETC.) SUPPLY AND EXTRACT AIR IMBALANCE IS POSSIBLE**

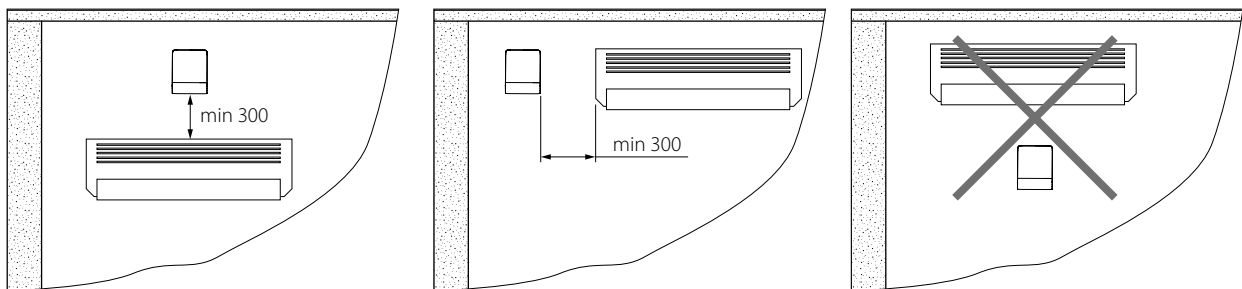
**IT MAY CAUSE DRAFTS AND DESTABILIZE TEMPERATURE IN WINTER SEASON.  
CONTACT QUALIFIED SPECIALISTS TO AVOID DISBALANCE**



**DO NOT BLOCK THE AIR DUCT OF THE INSTALLED VENTILATOR WITH DUST ACCUMULATING MATERIALS, SUCH AS CURTAINS, CLOTH SHUTTERS, ETC**

**AS IT PREVENTS AIR CIRCULATION IN THE ROOM**

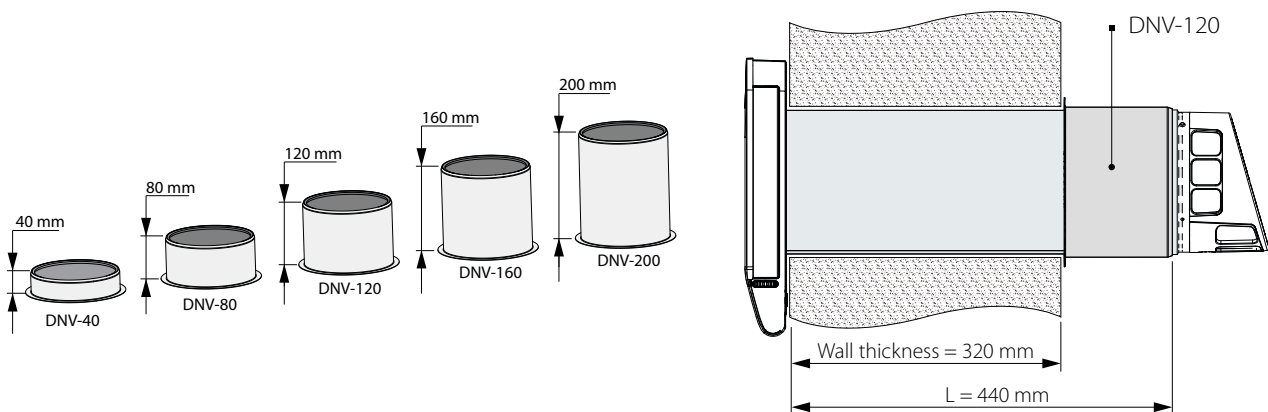
An air conditioner and the product can work in the same room at the same time and complement each other: while the air conditioner cools the air, the product helps to keep the air in the room cool and fresh and, in the same way, keeps the heat generated by the air conditioner in the room during the cold season. If the product is installed in the same room as an air conditioner, ensure that the recommended distance between the two appliances is maintained to ensure that both operate efficiently.



There are two ways to make the product's length and wall thickness match.

If you can access the mounting site from the external wall side, an extension cuff can be used (delivered separately).

The figure below illustrates an extension cuff set and their example of use for the Breezy 160/200-E (Smart) unit in a wall under 440 mm thick.



For as optimal match between the product length and wall thickness as possible, when the external wall side is inaccessible, cut the external coating and extension node for Breezy 160/200-E (Smart) L055/07/1 models.

Allowed values for wall thickness are specified in the table below.

Model	Possible wall thickness options when cutting	Possible wall thickness options when using extension cuffs*				
		DNV-40	DNV-80	DNV-120	DNV-160	DNV-200
Breezy 160/200-E (Smart)	440	400	360	320	280	240
Breezy 160/200-E (Smart) L055	440 – 550	510	470	430	390	350
Breezy 160/200-E (Smart) L07	440 – 700	660	620	580	540	500
Breezy 160/200-E (Smart) L1	440 – 1000	960	920	880	840	800

\*Delivered separately and installed from the outdoor side.

### Algorithm for shortening Breezy Breezy 160/200-E (Smart) L055/07/1 units

If the wall thickness is equal to the value L of your product, you may start with the step 1 of the unit mounting instruction.

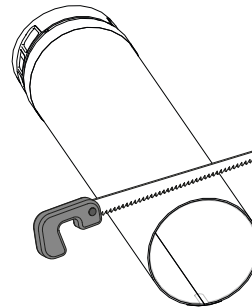
If the L value of your product is greater than the wall thickness, it may be shortened before installation.

You may take the following actions:

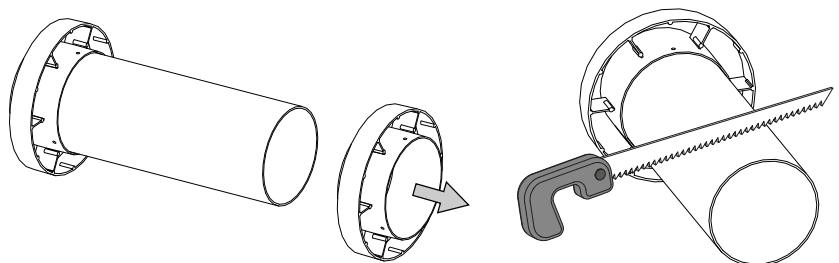
Identify the exact wall thickness in the product installation site.

The shortening length for the product is equal to the difference between the L value of the product and wall thickness.

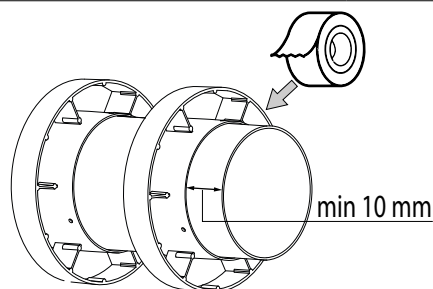
Shorten the external coating.



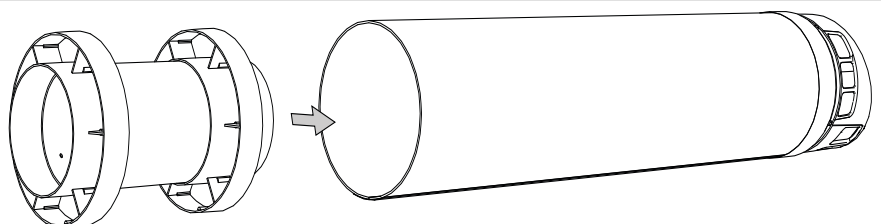
Shorten the extension node spigot for the same length as the external coating.



Put the second stabilizing coupling on the shortened spigot and fix it using adhesive aluminum tape at least 10 mm away from the spigot cut.



Insert the shortened extension node inside the external coupling to join the air flow distributing node.



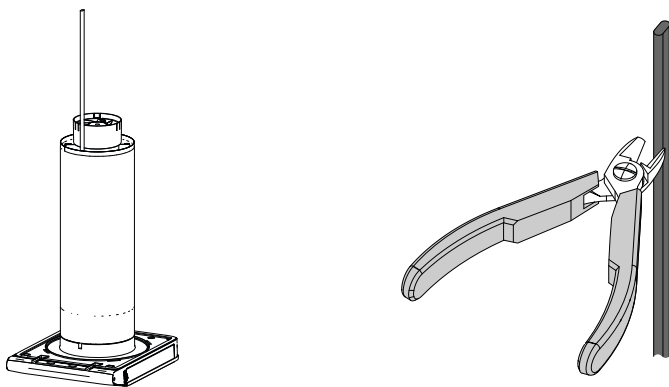


To shorten the condensation heater, do the following:

The condensation heater is installed in the operation module, not dismantlable.

Position the working module vertically on the table.

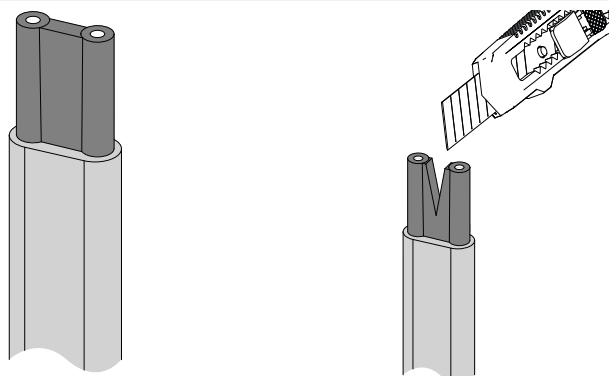
Using nippers, remove a piece of the condensation heater of the same length value that was used to shorten the spigots.



Using a knife, remove the external cable coating 10-15 mm long.

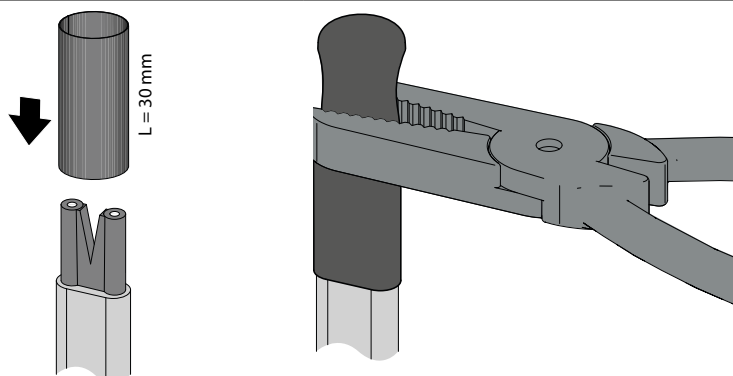
Remove the shielding on the segment using nippers.

Make a cut in the heater resisting material as shown in the figure.



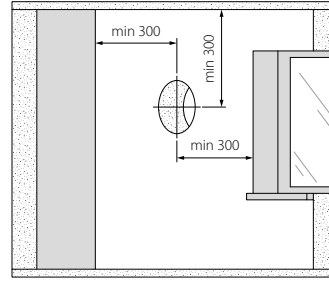
To insulate the heater and make the cut airtight, use the insulating tube with an adhesive layer (included in the delivery set).

Put on a 30-mm long section of it. Fit it using an industrial dryer. Press the overlapping part with pliers.

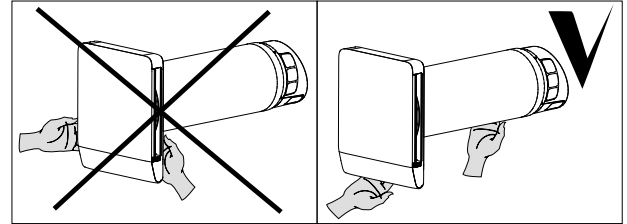
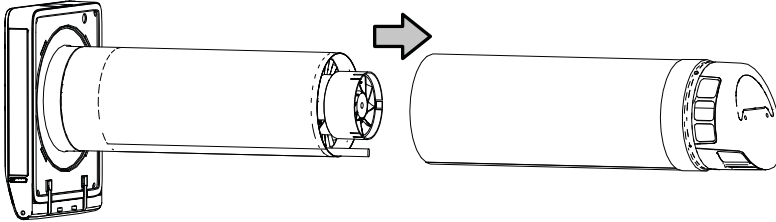


### Unit installation

1. Prepare a round core hole in the outer wall 172 mm in diameter for Breezy 160-E models and 212 mm in diameter for Breezy 200-E models.



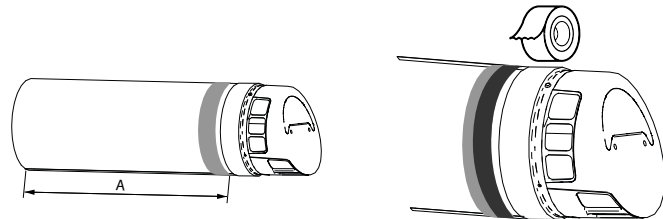
2. Detach the external coating from the operation module.



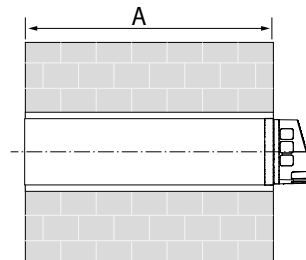
**Warning! Do not connect it to the power mains when detached!**

3. Glue the sealant (included in the delivery kit) on the air duct at a distance A (wall thickness) from the indoor end of the air duct.

For anti UV protection, it is recommended to wrap aluminum tape around the sealant.



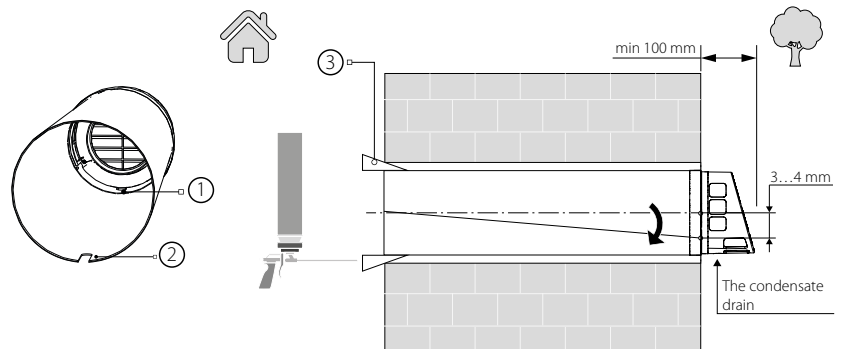
Insert the air duct into the hole so that its cross-section fits the internal wall surface.



Do not block external grilles of air ducts and the drainage hole. Make sure the air duct is inclined using the mounting wedges (pos. 3) from the delivery set. Fill in the gap between the wall and the air duct with non-expanding mounting foam.

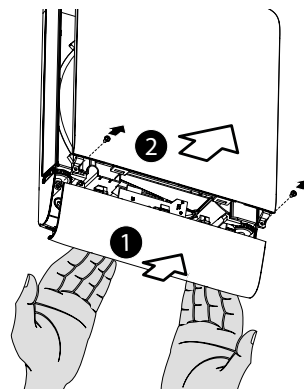
Do not turn the outer ventilation hood upside down. The drainage hole (pos.1) and the cut in the air duct (pos. 2) must be oriented downward.

**Warning! Avoid deforming the air duct with mounting wedges and foam!**



4. To remove the bottom panel (pos. 1), pull its downmost end at yourself.

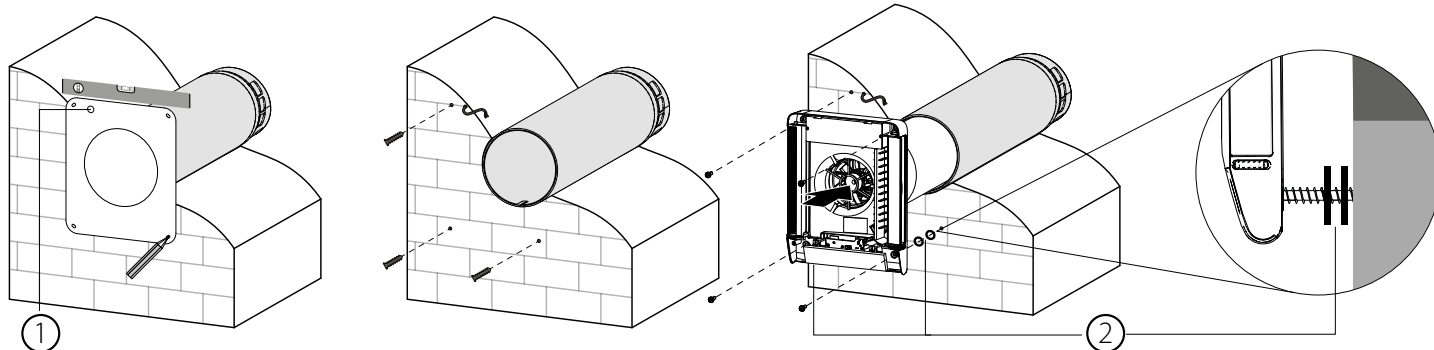
Remove the top decorative panel (pos. 2) from the operation module by unscrewing the screws.



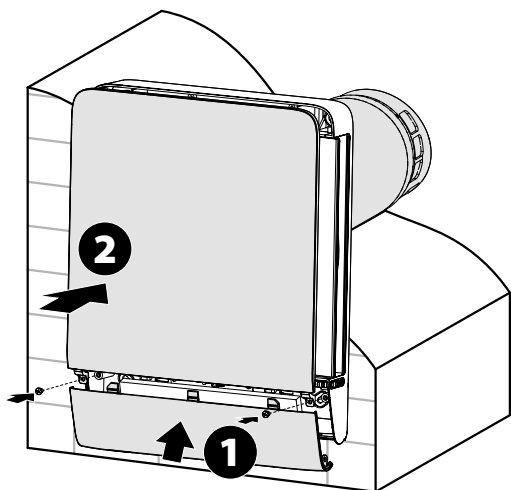
5. Put the mounting template on the wall. Align it using the level. Afterward, mark the openings to insert dowels from the mounting kit and drill the holes of required depth.

When wiring, mark the cable outlet site (pos. 1). Pull the power cord through to the marked site.

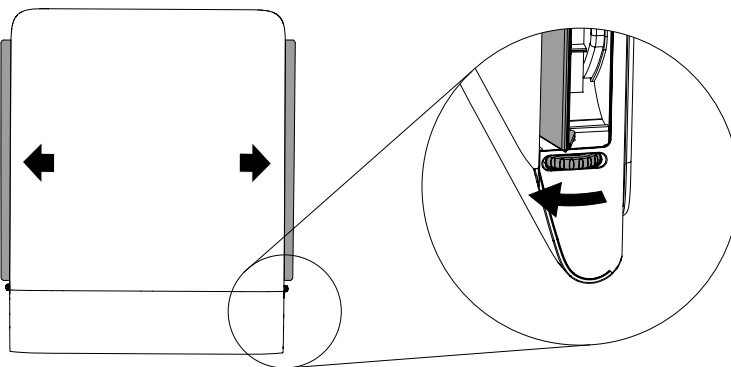
6. Install the operation module into the duct. Fix the back part of the indoor unit using screws. To avoid deforming parts of the indoor unit while tightening the bottom screws, use washers (pos. 2) from the delivery set.



7. Install decorative panels after connecting.



8. Open air inlets before turning on the system. 9. If an air inlet is not open, and the unit is operating, it may cause damage and malfunction of the unit.

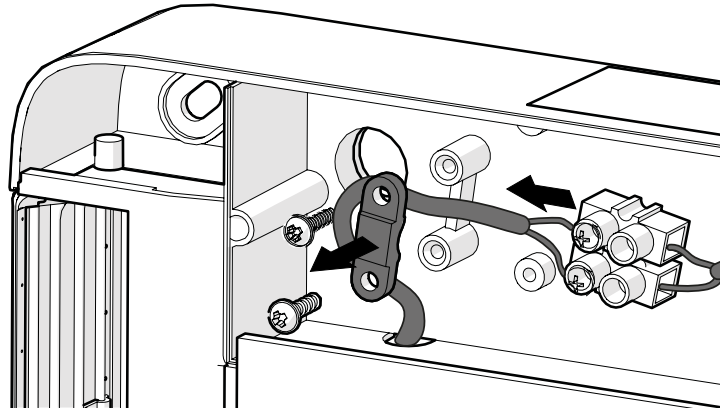


## CONNECTION TO POWER MAINS

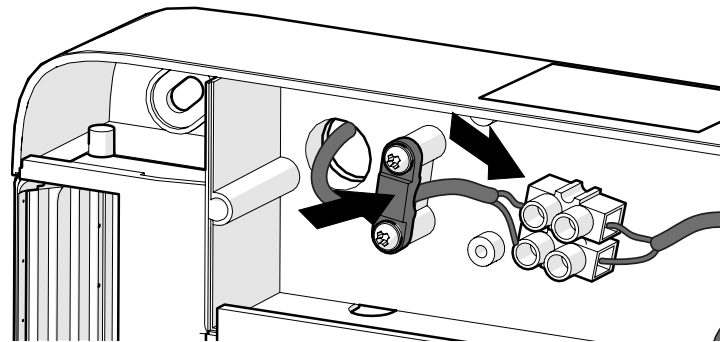
The unit is rated for connection to power mains with the parameters specified in the “Technical data” section. The unit must be connected using the power cord with a plug pre-installed at the factory, or fixed wiring.

To connect to fixed wiring, do the following:

remove the cable with the plug;



connect the cable to fixed wiring.



**WARNING!** Do not connect the product via any type of speed controller - thyristor, autotransformer, frequency controller, etc.



**THE PRODUCT CONSISTS OF ELEMENTS THAT ARE AN INTEGRAL PART OF THE PRODUCT**

**THE CORRECT OPERATION OF THE PRODUCT IS ONLY POSSIBLE IN THE CONFIGURATION AND DESIGN SUPPLIED BY THE MANUFACTURER**

**IN THE EVENT OF INTERFERENCE WITH THE PRODUCT DESIGN OR CHANGES TO THE WIRING DIAGRAM, THE MANUFACTURER IS NOT RESPONSIBLE FOR THE PRODUCT'S SERVICEABILITY AND DOES NOT ASSUME ANY WARRANTY OBLIGATIONS**

## UNIT CONTROL

The product can be controlled using the remote control, a smartphone app via Wi-Fi and the Google Assistant.

**Before turning on the unit, open the rotating dampers on the indoor part of the unit.**

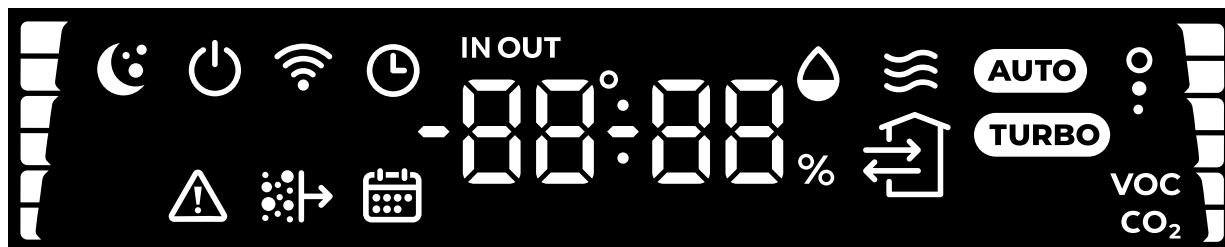
**After turning off the unit, the dampers may be left open to use the unit in passive ventilation mode. The dampers may also be closed do avoid drafts.**

### System display description

The display appearance is illustrated in the diagram below.

Display indication may differ depending on the system configuration.

The display is configured via the smartphone app.



The screen displays such information as time, temperature, humidity, or all data one by one. You can also choose a temperature sensor to be displayed (outdoor, supply, indoor) and CO<sub>2</sub> or VOC sensors.

The bar to the right-hand side displays the fan speeds. The bar to the left displays air quality.

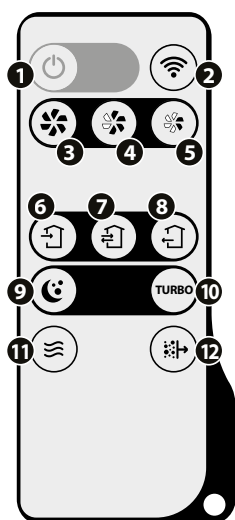
	- Error indicator		- Supply only / Recovery only / Extraction only indicator
	- Filter replacement indicator		- Timer
	- Night mode indicator		- Calendar
	- Heating indicator (film heater)		- Indoor / outdoor temperature
	- Auto function indicator		- Wi-Fi indicator
	- Turbo function indicator		- On / Off indicator
	- Frost protection mode indicator		- Air quality / CO <sub>2</sub> concentration indicator

### Description of the remote control

The function of the remote control buttons is shown in the figure below.

When the product is turned on using the **ON/OFF** button on the remote control, it will operate in the mode in which it was turned off.

The functions of the buttons may vary and depend on the system configuration, for details please refer to this manual for each function



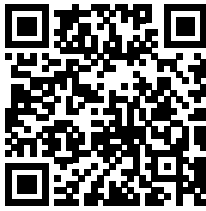
- 1 - Turning ON/OFF
- 2 - Wi-Fi connection mode between the product and smartphone
- 3-5 - Changing speeds
- 6-8 - Supply only / Recovery only / Extraction only
- 9 - Night timer. Speed 1 (8 hours)
- 10 - Turbo timer. Speed ( hours)
- 11 - Heater activation (film heater)
- 12 - Resetting the filter replacement timer.  
To reset the filter timer, press and hold the button for 3 seconds until it beeps.  
Reset is also available in the smartphone app.

To reset to factory settings, hold the button 1 for 10 seconds until it beeps.

### Connecting your smartphone device to the product

You can download the app by following the link to the App Store or Play Market, or by using QR codes.

[Vents Home – App Store](#)



[Vents Home – Play Market](#)



#### Wi-Fi technical data

Standard	IEEE 802.11b/g/n
Frequency band [GHz]	2.4
Transmission power [mW] (dBm)	100(+20)
Network	DHCP
WLAN security	WPA, WPA2

To start controlling the product, first connect to it as a Wi-Fi access point with the name FAN: + 16 characters of the ID number indicated on the control board and on the product body.

**Wi-Fi access point password:** 11111111.

In the app, you can configure the product for connection via your home Wi-Fi network and via a cloud server.

There is a setup mode to reset the Wi-Fi password or to connect to the product to change settings.

**When using a smartphone to control the unit, some functions may operate differently after updates. Some points of this instruction may become irrelevant in case of software updates.**

#### Wi-Fi indicator on the front panel:

Flashes rapidly	Connection issues
Flashes slowly	<b>Setup Mode</b> is active
Stays continuously lit	Wi-Fi is connected to the home network
Does not light up	Wi-Fi works in the access point mode or is turned off by the user via the smartphone app

**The main modes, functions, settings available in the smartphone application are as follows:**

**On/Off.** Turning the product on or off.

**Speed switch: 1, 2, 3**

Selecting the appropriate fans speed. It is controlled using the buttons on the remote control or in the smartphone app.

**Ventilation direction:** supply, exhaust, recovery.

Selecting the air flow direction. It is controlled using the buttons on the remote control or in the smartphone app.

**Weekly schedule**

It is activated using the smartphone app. It has the lowest priority. It is used to set the product to operate according to a schedule. To ensure that the mode works properly, make sure that the date and time are set correctly.

**Night mode**

The minimum and quietest operating mode of the system, which is designed for nighttime operation.

It is activated with the button on the remote control or in the smartphone app.

**Turbo mode**

It is activated by pressing the button on the remote control or in the smartphone app. This mode sets the highest fan speed. The corresponding light indicator on the dashboard is lit up.

**Auto mode**

This mode ensures a gradual increase in the fan speed relative to the currently selected speed based on the worst indicator (RH, CO<sub>2</sub>, VOC)\*. The corresponding indicator on the dashboard is lit up.

**Air quality change diagram (30 days): room temperature, RH, CO<sub>2</sub>, VOC\*.**

The sensors installed in the product are not a metrologically accurate means of measurement. The sensors are designed to monitor changes in air quality and temperature conditions to control the system accordingly. The IAQ index is determined based on the VOC sensor.

\*Presence of CO<sub>2</sub>, VOC sensors depends on the unit model.

The indoor air quality (IAQ) classification index for volatile organic compounds in the air is shown in the table below.

IAQ	Air quality	Impact (long-term)	Recommended action
0–50	Excellent	Clean air; the best for well-being	No action required
51–100	Good	Does not cause irritation of the mucous membranes and respiratory tract and does not affect well-being	No action required
101–150	Slight contamination	Possible deterioration of well-being	Ventilation is recommended
151–200	Medium contamination	More significant irritation of the mucous membranes and respiratory tract is possible	Increase fresh air ventilation
201–250	Heavy contamination	Exposure can cause negative effects such as headaches	Optimize ventilation
251–350	Very heavy contamination	More serious health problems are possible	If this level is reached even without people in the room, the source of contamination should be identified; increase ventilation and reduce the time people spend in the room.
> 351	Extreme contamination	Possible headaches, additional neurotoxic effects	It is necessary to identify the source of contamination, avoid staying in the room and ventilate as much as possible

### Heat exchanger frost protection

The unit has an algorithm to protect the heat exchanger from frost in winter season.

According to the algorithm, if heat exchanger frost danger is detected, gradual supply fan speed decrease (until it stops), gradual extract fan speed increase, or automatic heater power-on may be initiated.

Indication of active frost protection mode is displayed on the screen and in the smartphone app.

If the frost danger is still persistent after these action are taken, "Frost threat" alarm may appear.

If the frost threat alarm stays active for 30 minutes, the "Frost" failure occurs and the unit stops.

### Heating up

The unit has a built-in electric heater, which can be used to increase supply air temperature.

The heater autonomously turns on when the frost protection algorithm is active and if the outdoor air temperature is below +4 °C, and the indoor temperature is under +24 °C. If the outdoor temperature is higher than +4 °C, the heater may be turned on or off with a remote control button or via the smartphone app.

When the heater is on, the corresponding indicator on the screen will turn red. This information also is displayed in the smartphone app. The temperature sensor measuring error is  $\pm 2$  °C.

### Filter replacement timer

A filter replacement timer can be set up. This function roughly indicates how dirty the filter is so that it can be cleaned or replaced. After the set time has elapsed (90 days by default), the filter replacement indicator appears.

### Light sensor for automatic display brightness change

To ensure the product's ease of use in the dark, multiple indication brightness levels are set up. Display indication brightness is adjusted automatically, it can also be changed or turned off via the smartphone application.

**Possible faults, their warnings and troubleshooting are specified below.**

FAULTS		WARNINGS	
1	<b>Fans fault.</b> The unit stops. The indicator and the app display a fault notification. Eliminate the cause of the unit's stop.	1	<b>Air filter needs maintenance.</b> The unit continues operating. Maintenance is required. The notification can be dismissed via the remote control or smartphone app.
2	<b>Frost.</b> The unit stops. The fault occurs if the frost threat notification stays active for 30 min.	2	<b>Sensor fault.</b> The unit continues operating, but any faulty sensor-related automatic control functions will be disabled.
		3	<b>Frost threat.</b> The unit continues operating. The notification is caused during air exchange operation mode if the air temperature behind the air exchanger in the extract air duct is below +2 °C. Supply and extract air imbalance. It may be caused by any other operating ventilation units (fans, kitchen hoods, etc.), passive ventilation, drafts, fireplace, outdoor wind overload. Turn off the unit and close the manual shutters. Fix the cause of the imbalance if possible.

**In case of simultaneous ventilator's operation in mutually exclusive operating modes, the mode priority is the following (selected autonomously):**

1. Night or Turbo
2. Standby
3. Auto
4. Weekly schedule
5. Normal mode



## TECHNICAL MAINTENANCE



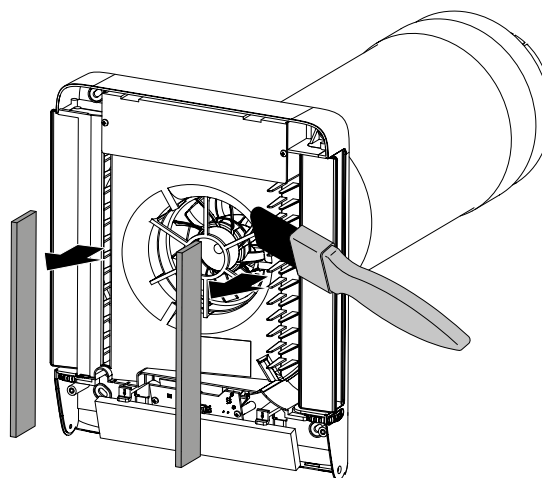
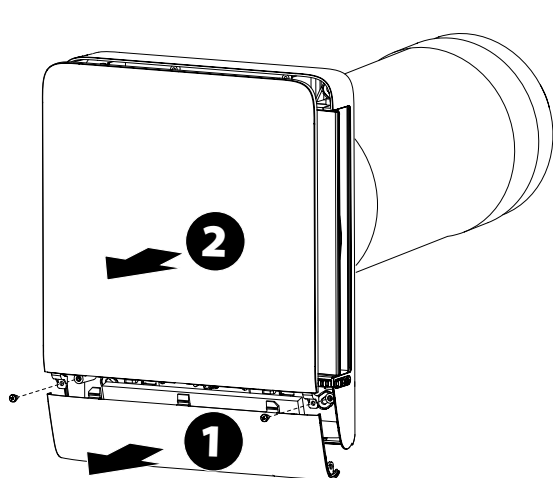
**DISCONNECT THE PRODUCT FROM THE POWER SUPPLY BEFORE PERFORMING ANY MAINTENANCE WORK**

Maintenance of the ventilator means regular cleaning of the ventilator surfaces of dust and cleaning and replacement of the filters. To access the filters, remove the decorative panels from the work unit.

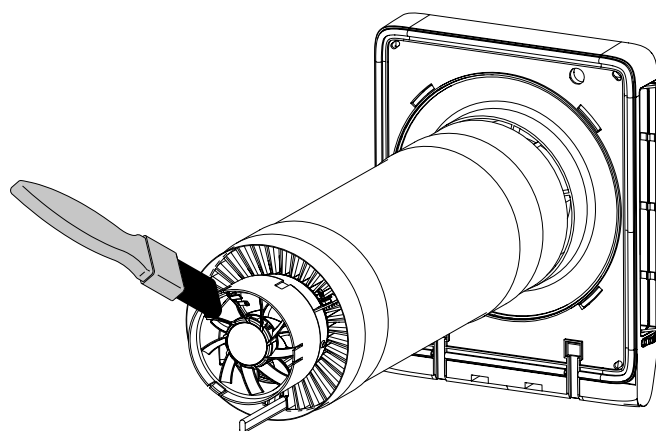
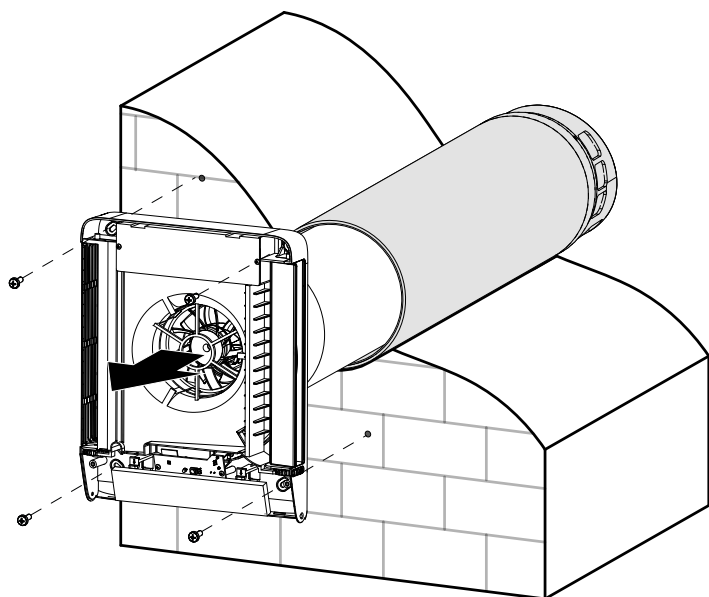
Remove the filters.

Clean the filter regularly as it is polluted, but at least once every 3 months.

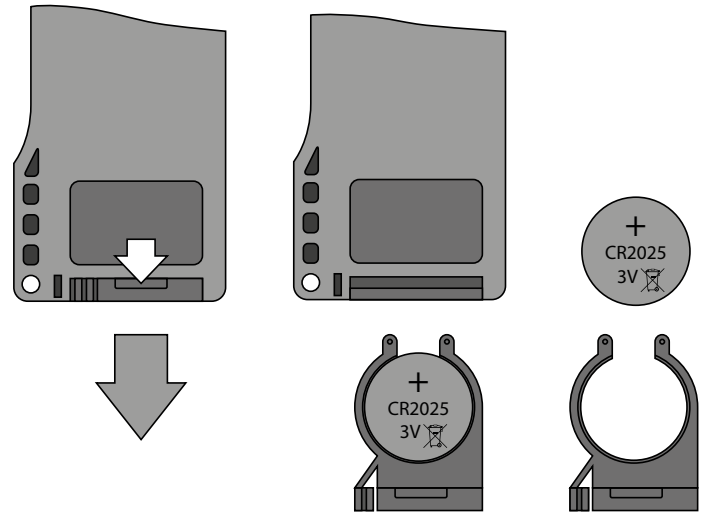
- The filter must be washed and dried, then reinserted into the air intake when dry.
- Vacuum cleaning is allowed.
- Filter service life is 3 years.
- To purchase new filters, contact the Seller.



To access the main assemblies for service, follow these steps: Remove the front panel from the work module; unscrew the four screws holding the indoor unit in place, remove it from the air duct.



If necessary, the remote control battery may be replaced.  
 No response of the unit for pressing the remote control buttons indicates the need to replace the battery.  
 The battery type is CR2025.  
 Remove the holder with the battery from the bottom part of the remote control.  
 Replace the battery and install the holder with a new battery back into the remote control.



#### POSSIBLE REASONS AND TROUBLESHOOTING

Problem	Possible reasons	Troubleshooting
When switching on the ventilator, the fan does not start.	No power supply.	Make sure the power supply line is connected correctly, otherwise troubleshoot the connection error.
	The motor is jammed, the impeller blades are soiled.	Turn the ventilator off. Troubleshoot the motor jam and impeller clogging. Clean the blades. Restart the ventilator.
Circuit breaker tripping during the ventilation unit start-up.	Overcurrent as a result of short circuit in the electric line.	Turn the ventilator off. Contact the Seller for further information.
Low air flow.	Low set fan speed.	Set higher speed.
	The filters, the fan or the regenerator are clogged.	Clean or replace the filter. Clean the fan and the regenerator.
Noise, vibration.	The impeller is clogged.	Clean the impeller.
	Loose screw connection of the unit casing or the outer ventilation hood.	Tighten the screws of the ventilator or the outer ventilation hood.

#### STORAGE AND TRANSPORTATION REGULATIONS

- Store the unit in the manufacturer's original packaging box in a dry closed ventilated premise with temperature range from +5 °C to + 40 °C and relative humidity up to 70 %.
- Storage environment must not contain aggressive vapors and chemical mixtures provoking corrosion, insulation, and sealing deformation.
- Use suitable hoist machinery for handling and storage operations to prevent possible damage to the unit.
- Follow the handling requirements applicable for the particular type of cargo.
- The unit can be carried in the original packaging by any mode of transport provided proper protection against precipitation and mechanical damage. The unit must be transported only in the working position.
- Avoid sharp blows, scratches, or rough handling during loading and unloading.
- Prior to the initial power-up after transportation at low temperatures, allow the unit to warm up at operating temperature for at least 3-4 hours.

## MANUFACTURER'S WARRANTY

The product is in compliance with EU norms and standards on low voltage guidelines and electromagnetic compatibility. We hereby declare that the product complies with the provisions of Electromagnetic Compatibility (EMC) Directive 2014/30/EU of the European Parliament and of the Council, Low Voltage Directive (LVD) 2014/35/EU of the European Parliament and of the Council and CE-marking Council Directive 93/68/EEC. This certificate is issued following test carried out on samples of the product referred to above.

The manufacturer hereby warrants normal operation of the unit for 24 months after the retail sale date provided the user's observance of the transportation, storage, installation, and operation regulations. Should any malfunctions occur in the course of the unit operation through the Manufacturer's fault during the guaranteed period of operation, the user is entitled to get all the faults eliminated by the manufacturer by means of warranty repair at the factory free of charge. The warranty repair includes work specific to elimination of faults in the unit operation to ensure its intended use by the user within the guaranteed period of operation. The faults are eliminated by means of replacement or repair of the unit components or a specific part of such unit component.

### The warranty repair does not include:

- routine technical maintenance
- unit installation/dismantling
- unit setup

To benefit from warranty repair, the user must provide the unit, the user's manual with the purchase date stamp, and the payment paperwork certifying the purchase. The unit model must comply with the one stated in the user's manual. Contact the Seller for warranty service.

### The manufacturer's warranty does not apply to the following cases:

- User's failure to submit the unit with the entire delivery package as stated in the user's manual including submission with missing component parts previously dismantled by the user.
- Mismatch of the unit model and the brand name with the information stated on the unit packaging and in the user's manual.
- User's failure to ensure timely technical maintenance of the unit.
- External damage to the unit casing (excluding external modifications as required for installation) and internal components caused by the user.
- Redesign or engineering changes to the unit.
- Replacement and use of any assemblies, parts and components not approved by the manufacturer.
- Unit misuse.
- Violation of the unit installation regulations by the user.
- Violation of the unit control regulations by the user.
- Unit connection to power mains with a voltage different from the one stated in the user's manual.
- Unit breakdown due to voltage surges in power mains.
- Discretionary repair of the unit by the user.
- Unit repair by any persons without the manufacturer's authorization.
- Expiration of the unit warranty period.
- Violation of the unit transportation regulations by the user.
- Violation of the unit storage regulations by the user.
- Wrongful actions against the unit committed by third parties.
- Unit breakdown due to circumstances of insuperable force (fire, flood, earthquake, war, hostilities of any kind, blockades).
- Missing seals if provided by the user's manual.
- Failure to submit the user's manual with the unit purchase date stamp.
- Missing payment paperwork certifying the unit purchase.



**FOLLOWING THE REGULATIONS STIPULATED HEREIN WILL ENSURE A LONG AND TROUBLE-FREE OPERATION OF THE UNIT**



**USER'S WARRANTY CLAIMS SHALL BE SUBJECT TO REVIEW ONLY UPON PRESENTATION OF THE UNIT, THE PAYMENT DOCUMENT AND THE USER'S MANUAL WITH THE PURCHASE DATE STAMP**





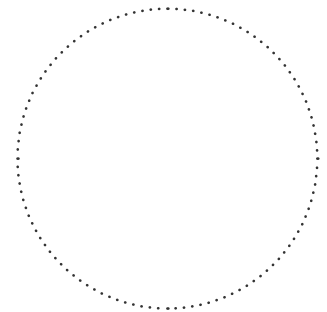


### CERTIFICATE OF ACCEPTANCE

<b>Unit Type</b>	Single Room Heat Recovery Ventilation Unit
<b>Model</b>	
<b>Serial Number</b>	
<b>Manufacture Date</b>	
<b>Quality Inspector's Stamp</b>	

### SELLER INFORMATION

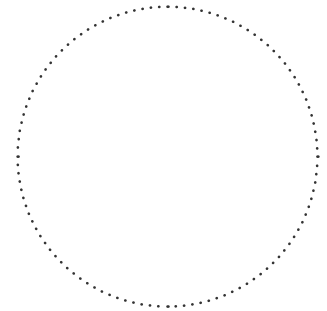
<b>Seller</b>	
<b>Address</b>	
<b>Phone Number</b>	
<b>E-mail</b>	
<b>Purchase Date</b>	
This is to certify acceptance of the complete unit delivery with the user's manual. The warranty terms are acknowledged and accepted.	
<b>Customer's Signature</b>	



Seller's Stamp

### INSTALLATION CERTIFICATE

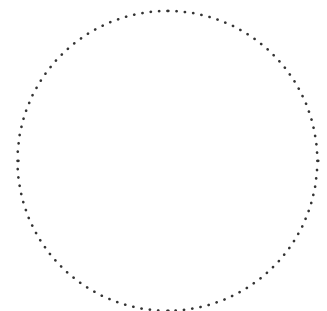
The _____ unit is installed pursuant to the requirements stated in the present user's manual.	
<b>Company name</b>	
<b>Address</b>	
<b>Phone Number</b>	
<b>Installation Technician's Full Name</b>	
<b>Installation Date:</b>	<b>Signature:</b>
The unit has been installed in accordance with the provisions of all the applicable local and national construction, electrical and technical codes and standards. The unit operates normally as intended by the manufacturer.	
<b>Signature:</b>	



Installation Stamp

### WARRANTY CARD

<b>Unit Type</b>	Single Room Heat Recovery Ventilation Unit
<b>Model</b>	
<b>Serial Number</b>	
<b>Manufacture Date</b>	
<b>Purchase Date</b>	
<b>Warranty Period</b>	
<b>Seller</b>	



Seller's Stamp

