

VENTS CF Series



Centrifugal fans for exhaust ventilation with the capacity up to 122 m³/h

Application

- Continuous or periodic exhaust ventilation of bathroom, showers, kitchens and other utility spaces.
- Ventilation shaft mounting or duct connection.
- Designed for high-resistance ventilation duct systems.
- Compatible with Ø 100 mm air ducts.

Design

- Modern design and aesthetic look.
- The casing and the impeller are made of high-quality durable ABS plastic, UV resistant.
- The easy to use removable grille with a filter element protects the fan internal components against grease and dust penetration and makes it suitable for kitchen exhaust ventilation.
- The basic CF fan modification includes a dust filter. Aluminium grease filter configurations are also available (CFA model).
- The centrifugal fan impeller has forward-curved blades for high pressure and low noise levels.
- The centrifugal fan impeller has forward-curved blades for high pressure and low noise levels.
- Protection rating IP24.

Motor

- Reliable and low-watt single-phase electric motor.
- The basic motor modification includes plain bearings.
- The „turbo“ modification includes the motor equipped with ball bearings mounted on specially designed vibration dampers.
- Designed for continuous operation and requires no maintenance.
- Equipped with overheating protection.

Modifications and Options

CFA – fan with an aluminium grease filter.



CF 100 turbo – high-powered motor. The motor is equipped with ball bearings for long service life (appr. 40 thousand hours) and mounted on specially designed vibration mounting. The bearings are maintenance-free and contain enough grease for the entire operating period.



CF 100 T – equipped with a regulated timer with the operating time from 2 to 30 minutes.



CF 100 TH – equipped with a timer with the operating time from 2 to 30 minutes and a humidity sensor with the threshold value from 60 to 90 %.



CF 100 V – equipped with a pull cord switch.



CF 100 VT – equipped with a pull cord switch and a regulated timer with the operating time adjustable from 2 to 30 minutes.



CF 100 VTH – equipped with a pull cord switch, regulated timer with the operating time adjustable from 2 to 30 minutes and a humidity sensor with the operating threshold range from 60 to 90 %.



CF 100 TP – equipped with a regulated timer and a motion sensor with the sensitivity area from 1 to 4 m and the detection angle up to 100°.



CF 100 12 – modification with low-voltage motor. 12 V AC power supply.

Control

Manual:

- The fan is controlled by a room light switch. It is not included in the delivery package.
- The fan is controlled by the built-in pull cord switch **V**. Not applied in case of ceiling mounting.
- Speed control is possible through a thyristor speed controller (see Electrical Accessories). Several fans may be connected to the same controller. Speed controllers can not be connected to the fans with T, TH, TP, VT, VTH modification.

Automatic:

- By the electronic control unit **BU-1-60** (see Electrical Accessories). The control unit is supplied separately.

Mounting features

- Suitable for external or built-in mounting.
- Flexible duct application is recommended in case of remote location of the ventilation shaft. The air duct is connected to the fan exhaust flange through a clamp.
- Fixed to wall by self-tapping screws or fixing brackets.
- Suitable for ceiling mounting.
- For 12 V low-voltage motor fan connection to 220 V/50 Hz power mains use the step-down transformer TRF 220/12-25 that is available upon separate order.

Accessories

Air ducts



Grilles and hoods



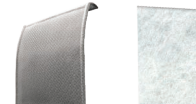
Speed controllers



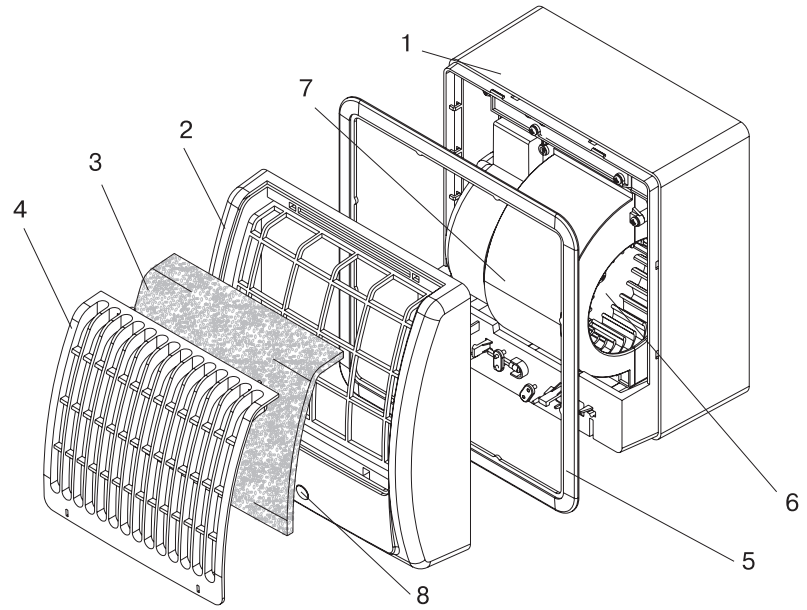
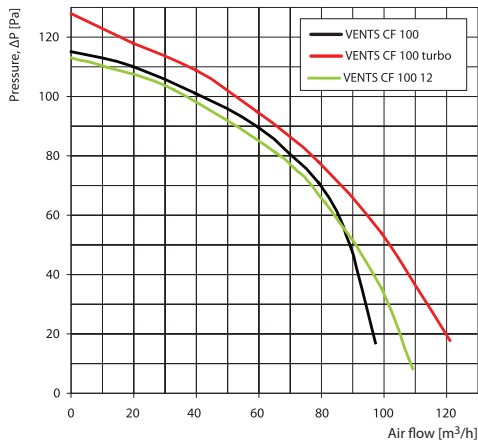
Clamps



Replaceable filters



Aerodynamic characteristics



- 1. Casing
- 2. Removable cover
- 3. Filter
- 4. Grille
- 5. Decorative frame
- 6. Impeller
- 7. Scroll casing
- 8. Light indicator

Technical data

Model	Frequency [Hz]	Voltage [V]	Power Consumption [W]	Current [A]	R.p.m.	Maximum air flow [m³/h]	Sound Pressure Level at 3 m [dBA]	Weight [kg]
VENTS CF 100	50/60	220-240	16	0.12	2250	98	36	1.20
VENTS CF 100 turbo	50/60	220-240	29	0.170	2500	122	38	1.30
VENTS CF 100 12	50/60	12	24	3.00	2300	110	37	1.2

Mounting examples



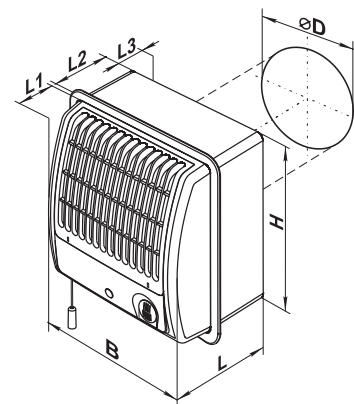
Wall surface mounting



Wall flush mounting

Overall dimensions

Model	Dimensions [mm]						
	∅ D	B	H	L	L1	L2	L3
VENTS CF 100	100	180	195	132	59	73	26



Certificates

The fans meet the applicable safety and electromagnetic compatibility standards.