

INSTALLATION INSTRUCTION

EH-17 100

EH-17 160



Outer ventilation hood

PURPOSE

The outer ventilation hood is designed to prevent ingress of water and foreign objects into the ventilation equipment from outside.

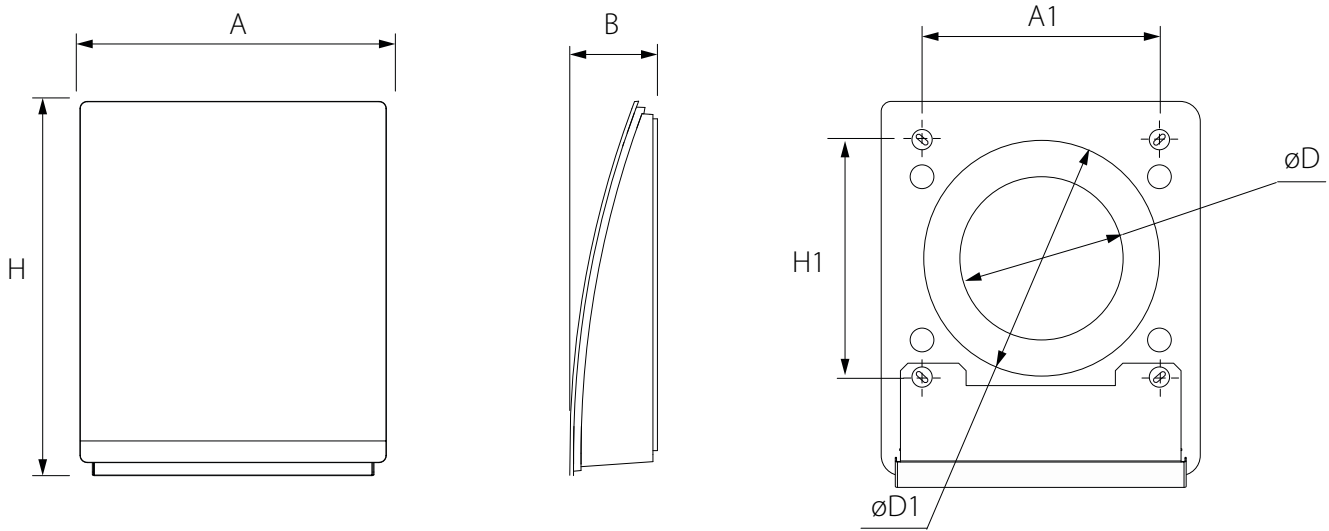


THE UNIT SHOULD NOT BE OPERATED BY CHILDREN OR PERSONS WITH REDUCED PHYSICAL, MENTAL, OR SENSORY CAPACITIES, OR THOSE WITHOUT THE APPROPRIATE TRAINING.

THE UNIT MUST BE INSTALLED AND CONNECTED ONLY BY PROPERLY QUALIFIED PERSONNEL AFTER THE APPROPRIATE BRIEFING.

THE CHOICE OF UNIT INSTALLATION LOCATION MUST PREVENT UNAUTHORISED ACCESS BY UNATTENDED CHILDREN.

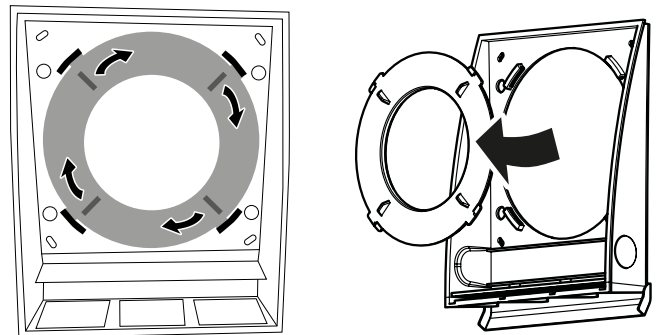
OVERALL DIMENSIONS



Model	Dimensions [mm]						
	Ø D	Ø D1	A	A1	B	H	H1
EH-17 100	106	164	212	160	60	260	160
EH-17 160	-						

EH-17 100

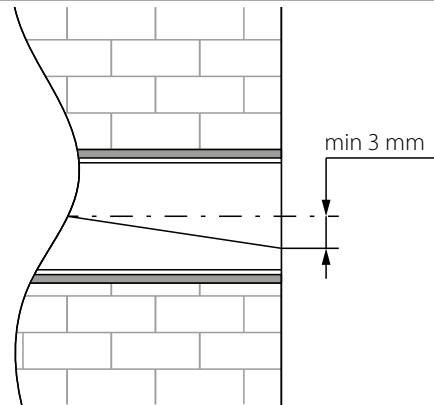
To install an air duct with a diameter of 160 mm, remove the adapter on the back wall.



OUTER VENTILATION HOOD MOUNTING

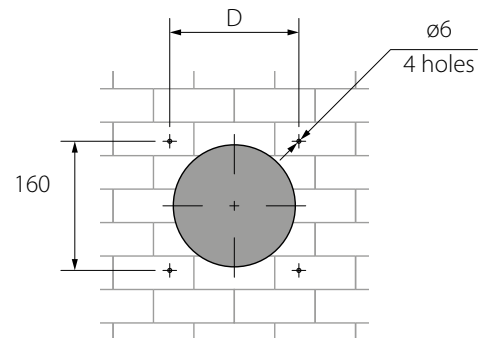
1. Insert the air duct from indoor to protrude from outside on the outer wall surface. Cut the air duct excess and a stream spreader with a hack saw or with any other suitable tool.

WARNING! If the mounting place is located at high altitude, please refer to a mounting.

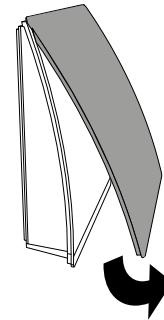


2. Mark the fastening holes for the outer ventilation hood and drill 4 holes, 50 mm deep to suit the expansion anchors (6x40). Use the back wall of the ventilation hood to facilitate the marking.

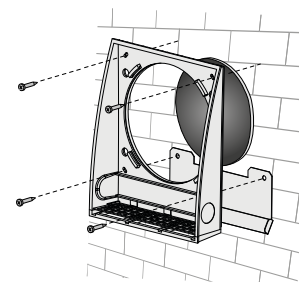
Model	Ø D
EH-17100	100 mm
EH-17160	160 mm



3. Insert the supplied expansion anchors 6x40 into the holes. Remove the outer ventilation hood to enable access to the fastening holes. Pull the front part below toward you.



4. Fix the rear part and the rainwater inlet of the ventilation hood to the wall using the supplied 4 x 40 screws.



5. Cover the ventilation hood with the front part.

