

**F5 100
Series**



Application

- For supply ventilation, air conditioning and heating.
- Designed for wall mounting or installation into false ceiling.
- Used to arrange correct air circulation in premises.

Design

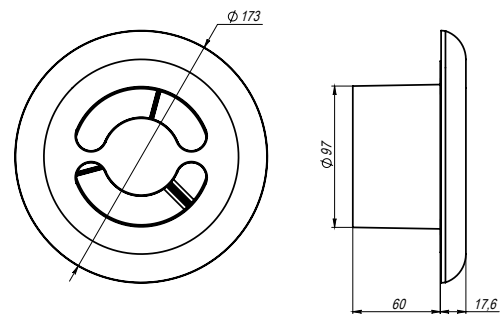
- Made of high quality plastic (ABS plastic or polystyrene).
- Special aerodynamic disk valve design ensures uniform air distribution.
- Easily mountable with a mounting flange.

Color modifications

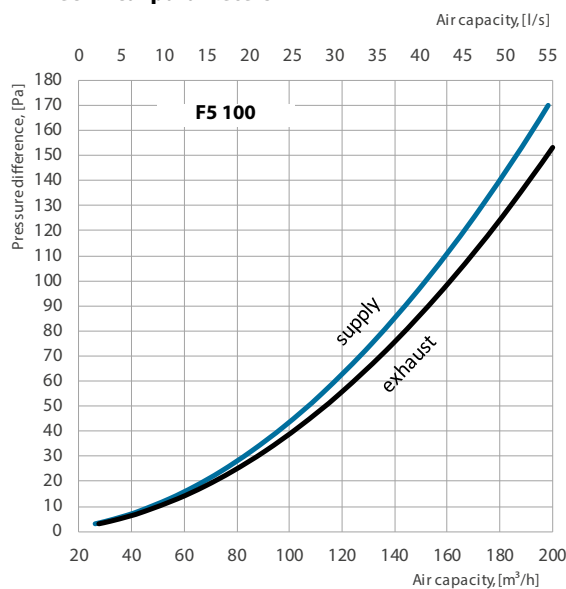


Overall dimensions

Model	Dimensions [mm]				Air pass [m ²]
	D	D1	L	L1	
F5 100	173	97	60	17.6	0.00302



Technical parameters



	Equivalent area, mm ²
Supply	5290
Exhaust	5590