

VENTS Fantom Series



Centrifugal fans for exhaust ventilation with the capacity up to 110 m³/h

Application

- Continuous or periodic exhaust ventilation of bathroom, showers and other utility spaces.
- Ventilation shaft mounting or duct connection.
- Designed for high-resistance ventilation duct systems.
- Compatible with Ø 100 mm air ducts.

Design

- Modern design and aesthetic look.
- The casing and the impeller are made of high-quality durable ABS plastic, UV resistant.
- The easy to use removable front panel and dishwasher washable filter element protects the fan internal components against dust penetration.
- The centrifugal fan impeller has forward-curved blades for high pressure and low noise levels.
- Protection rating IP45.

Motor

- Reliable and low-watt single-phase electric motor.
- The fan is equipped with ball bearings which are greased for full time of work and don't need any maintains.
- Designed for continuous operation and requires no maintenance.
- Equipped with overheating protection.

Modifications and Options



Fantom T – equipped with a turn-on delay timer (1, 2 or 5 minutes), a turn-off delay timer (5, 15 or 30 minutes) and an interval timer (for 30 minutes every 4 hours).



Fantom TH – equipped with a turn-on delay timer (1, 2 or 5 minutes), a turn-off delay timer (5, 15 or 30 minutes), an interval timer (for 30 minutes every 4 hours) and with humidity sensor. Humidity sensor has two operation modes. Manual mode allows setting the humidity threshold in range of 60%, 70%, 80% or 90%. If this threshold is exceeded, the fan turns on or switches to higher speed.

Auto – intelligent humidity control. This mode provides for humidity threshold change in automatic mode. The fan independently selects the optimum humidity threshold for the room in which it is installed. Fan operation algorithm is selected based on analysing the statistical data of indoor humidity level.



Fantom TP – equipped with a regulated timer and a turn-on delay timer (1, 2 or 5 minutes), a turn-off delay timer (5, 15 or 30 minutes), an interval timer (for 30 minutes every 4 hours) and microwave motion sensor, which works through the front panel.

Mounting features

- Flexible duct application is recommended in case of remote location of the ventilation shaft. The air duct is connected to the fan exhaust flange through a clamp.
- Fixed to wall by self-tapping screws.
- Suitable for ceiling mounting.

Accessories

Air ducts



Grilles and hoods



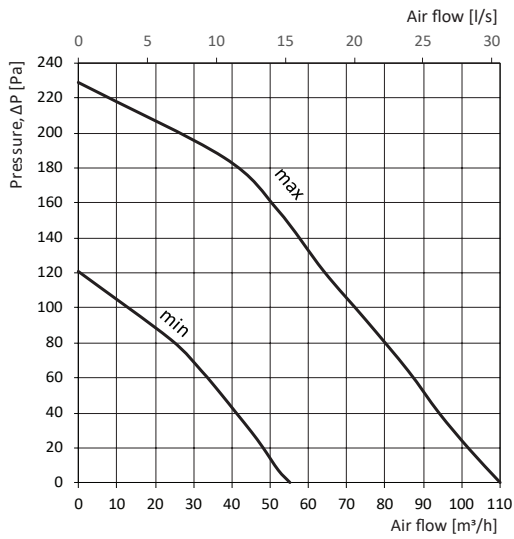
Speed controllers



Clamps

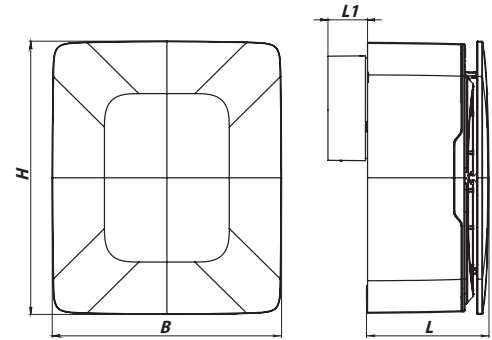


Aerodynamic characteristics



Overall dimensions

Model	Dimensions [mm]			
	B	H	L	L1
VENTS Fantom	215	256	115	37

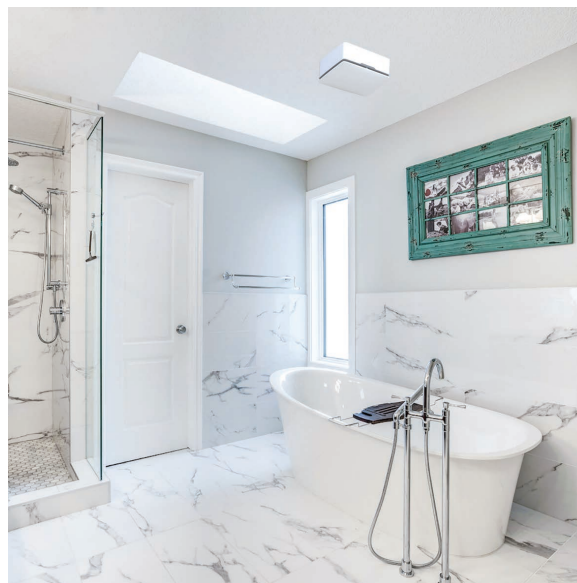


Technical data

Model	Speed	Frequency [Hz]	Voltage [V]	Power consumption [W]	Current [A]	Maximum air capacity [m³/h]	Maximum air capacity [l/s]	SFP [W/l/s]	Sound Pressure Level [dBA]*	IP
VENTS Fantom	min.	50	220-240	11	0.081	55	15	0.72	20	IP45
	max.			26	0.116	110	31	0.85	36	

*Sound pressure level measured in free space at a distance of 3 meters from the fan.

Mounting examples



Certificates

The fans meet the applicable safety and electromagnetic compatibility standards.