

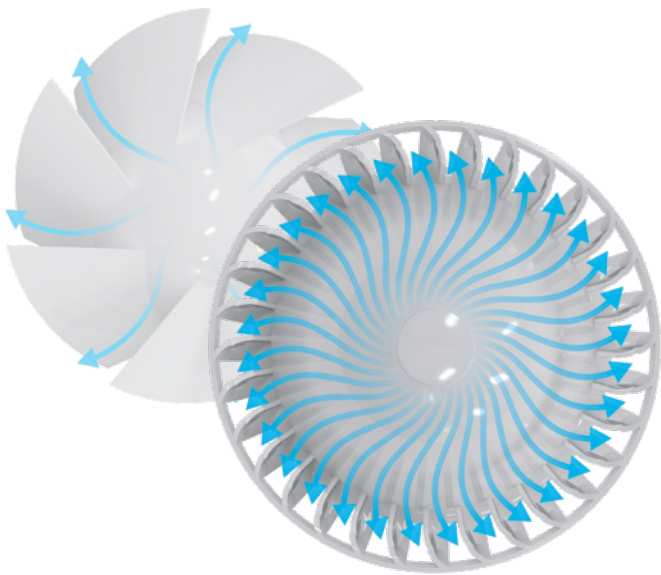


FANTOM

2024

CENTRIFUGAL FAN

VENTS FANTOM



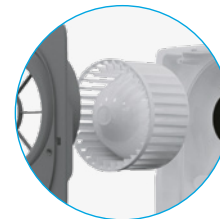
Centrifugal impeller of a unique design exerts high pressure, enabling operation in air ducts up to 8 times longer compared to a classic axial one, while also ensuring resistance to pressure differences in ventilation systems.



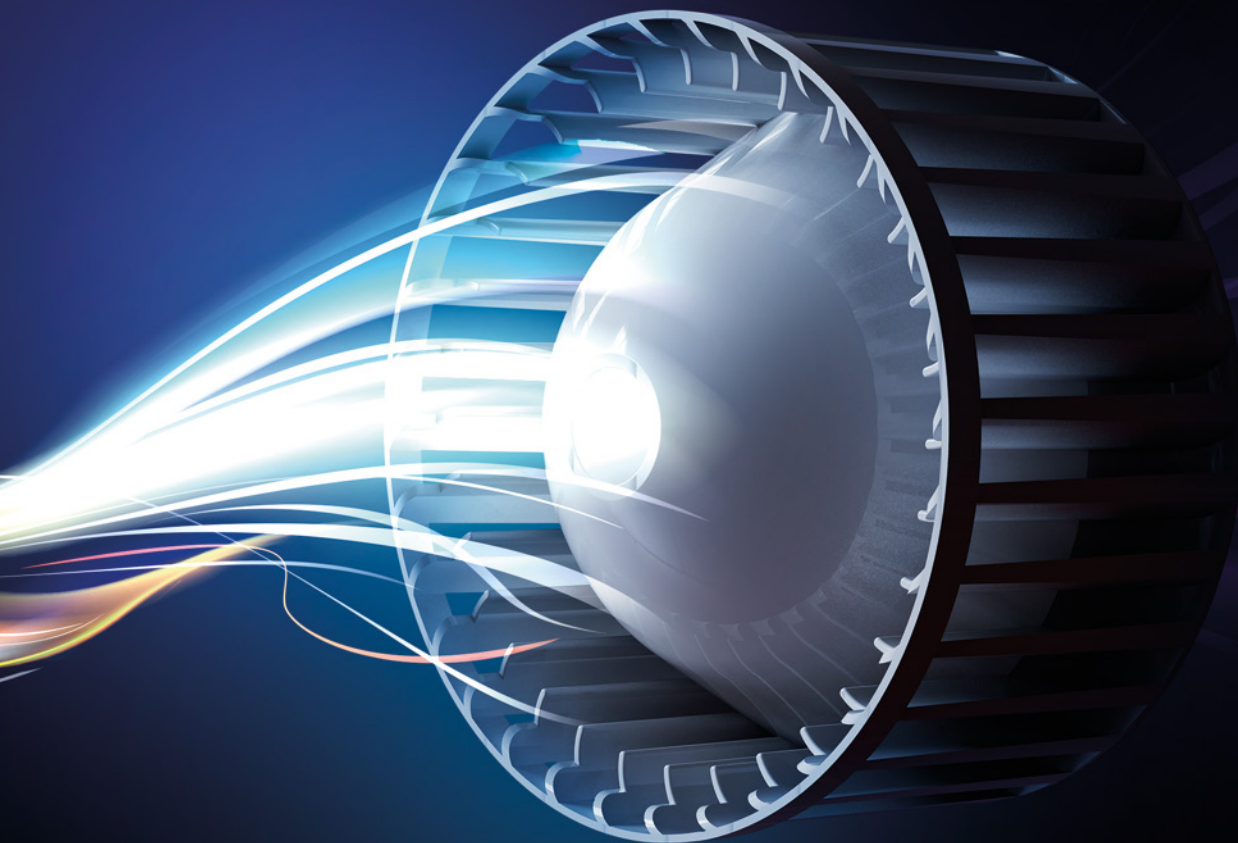
Stylish,
concise design



Compact
casing



Low noise
level



Technological perfection
for high resistance and weathering conditions



Unique compact ventilation solution
that ensures effective operation in long air ducts



Capacity
up to 110 m³/h



IP45



Two speed options
and interval
operation

Fantom is a compact, stylish and technologically advanced surface mount solution. This type of pressure fans is typically characterized by variable speed, high capacity and air filtration, as well as low noise levels.

- Reliable motor with ball bearings
- Intelligent humidity control
- Wall and ceiling surface mounting



OPTIONS



Timer



Humidity
sensor



Motion
sensor



Private houses
and cottages



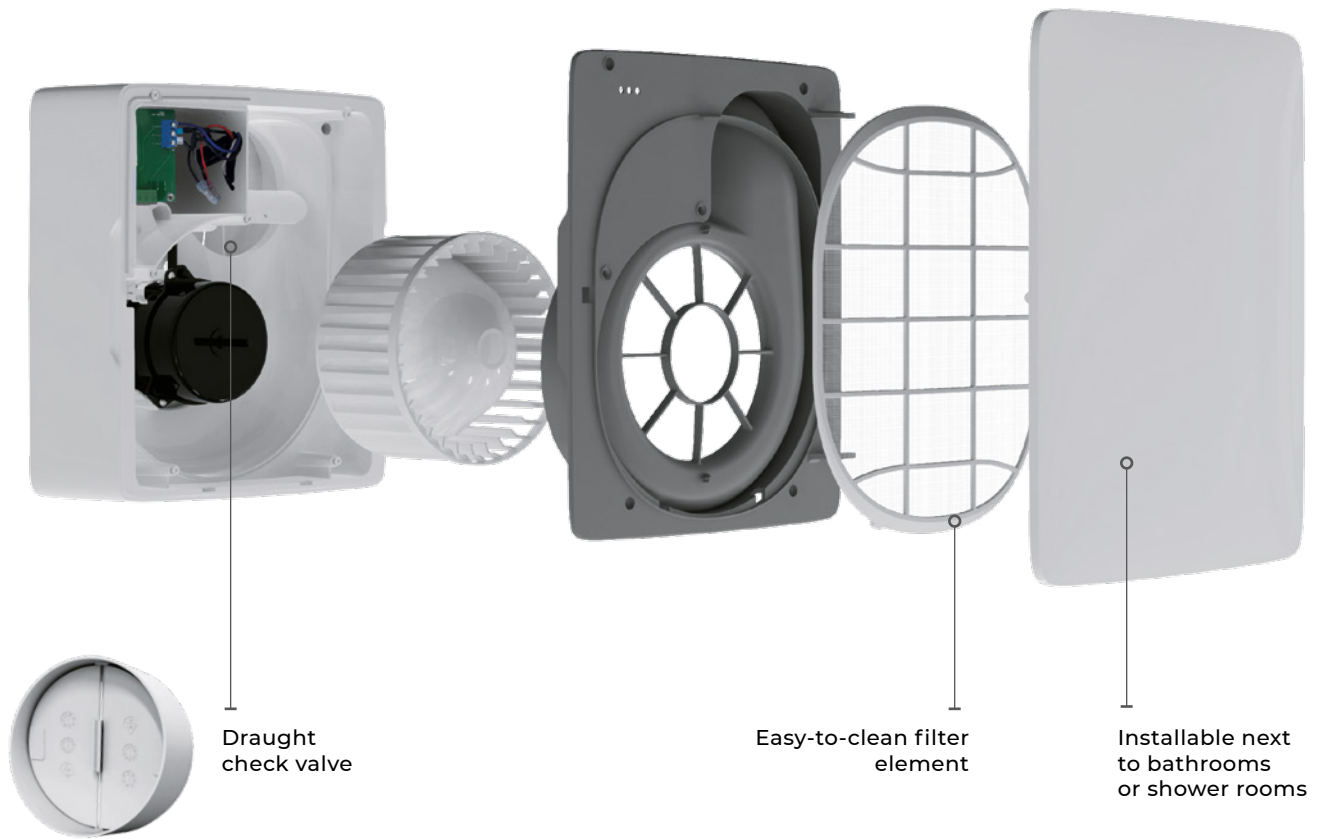
Apartments



Bathrooms
and kitchens



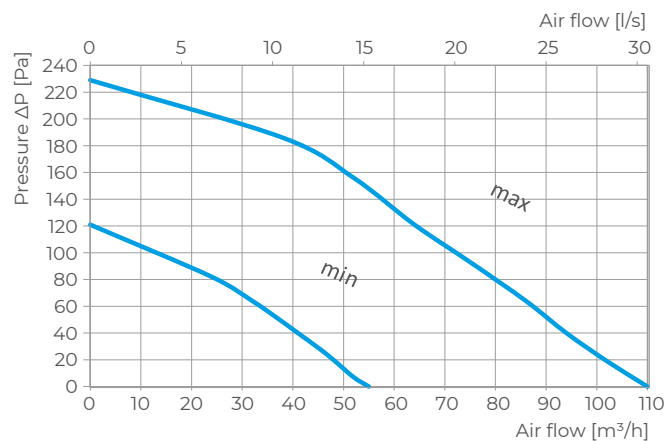
Commercial
premises



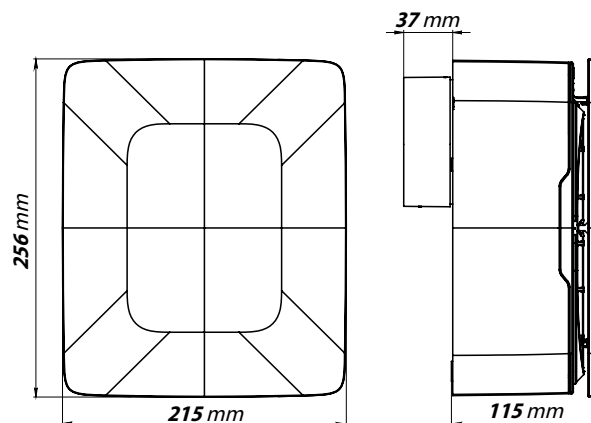
TECHNICAL DATA

	Fantom	
	Min.	Max.
Speed		
Frequency [Hz]	50	50
Voltage [V]	220–240	220–240
Power input [W]	11	26
Current [A]	0.081	0.116
Maximum capacity [m ³ /h]	55	110
Maximum air flow [l/s]	15	31
SPF [W/l/s]	0.72	0.85
Sound pressure level at a distance of 3 m [dBA]	20	36
IP	IP45	IP45

AERODYNAMIC DATA



DIMENSIONS





The manufacturer reserves the rights to modify any of its products' features, designs, components and specifications at any time and without notice.

ventilation-system.com