

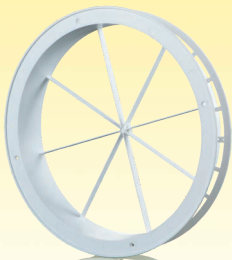
**F 100 – F 200
Series**



**FK
Series**



**F 250 – F 315
Series**



Application

- For connection of flexible air ducts, plastic ducts and air disk valves of suitable diameter without flanges.
- For wall or ceiling mounting.

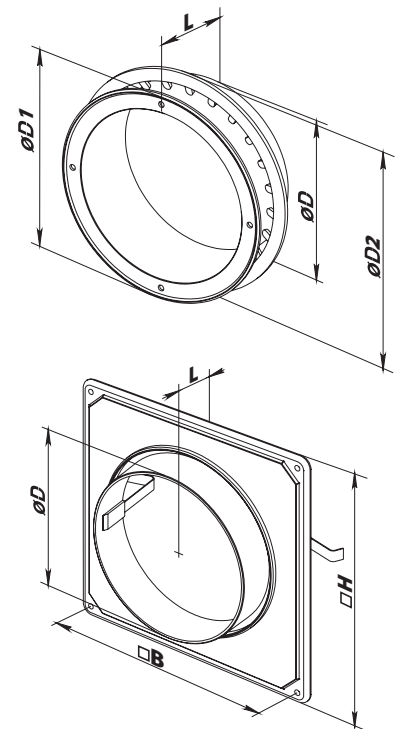
Design

- Made of high-quality plastic.
- F Series flanges are equipped with a retaining ring for fixation of flexible air ducts.
- The flange model **F 200/150** can be used as a connector for the air disk valves A 200 VR and A 200 R.
- **F 250** and **F 315** flanges are equipped with an extra X-deflector to reinforce the flange.
- **FK Series** flanges are equipped with a connecting plate.
- Fixing to wall or ceiling with screws.

Overall dimensions

| Model | Dimensions [mm] | | | |
|-----------|-----------------|-----|-----|----|
| | D | D1 | D2 | L |
| F 80 | 80 | 115 | 120 | 62 |
| F 100 | 100 | 132 | 139 | 62 |
| F 125 | 125 | 157 | 165 | 62 |
| F 150 | 150 | 179 | 188 | 62 |
| F 200 | 200 | 232 | 240 | 62 |
| F 200/150 | 150 | 200 | 179 | 85 |
| F 250 | 250 | 283 | 290 | 62 |
| F 315 | 315 | 360 | 356 | 62 |

| Model | Dimensions [mm] | | | |
|--------|-----------------|-----|-----|----|
| | H | B | D | L |
| FK 100 | 185 | 169 | 100 | 34 |
| FK 120 | 185 | 169 | 120 | 34 |
| FK 125 | 185 | 169 | 125 | 34 |



Accessories

