

FM Series



FM...Zn Series



Overall dimensions

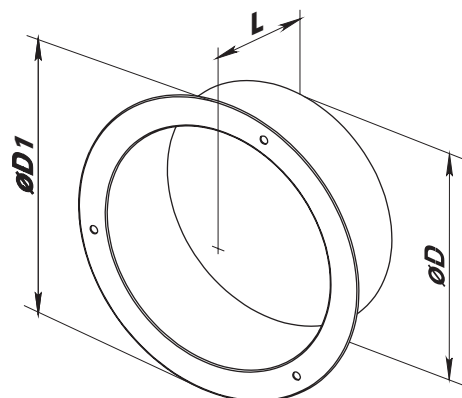
Model		Dimensions [mm]		
		D	D1	L
FM 80	FM 80 Zn	80	116	50
FM 100	FM 100 Zn	100	127	50
FM 110	FM 110 Zn	110	146	50
FM 120	FM 120 Zn	120	156	50
FM 125	FM 125 Zn	125	152	50
FM 130	FM 130 Zn	130	166	50
FM 140	FM 140 Zn	140	176	50
FM 150	FM 150 Zn	150	177	50
FM 160	FM 160 Zn	160	196	50
FM 180	FM 180 Zn	180	216	50
FM 200	FM 200 Zn	200	227	50
FM 250	FM 250 Zn	250	286	50
FM 315	FM 315 Zn	315	351	50

Application

- For connection of flexible and plastic air ducts of the respective diameter.
- For wall or ceiling mounting.

Design

- Made of special steel with polymeric coating (**FM** series) or galvanized steel (**FM...Zn** series).
- Fixing to wall or ceiling with screws.



Accessories



Diffusers and air disk valves

Grilles and hoods

Backdraft dampers

Clamps

Air ducts

Mounting tapes