

GR series



Ventilation grille with gravity shutters

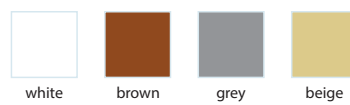
Application

- Exhaust ventilation, heating and air conditioning networks in industrial, commercial and domestic premises.

Design

- Made of high-quality plastic.
- Weather- and temperature-resistant.
- Removable spring-loaded vanes for simple maintenance.
- Simple and quick mounting.

Colour modifications



UV-resistant



Waterproof



Heat-resistant



Frostproof



Easy mounting



Fire-resistant



Antibacterial



Impact-resistant

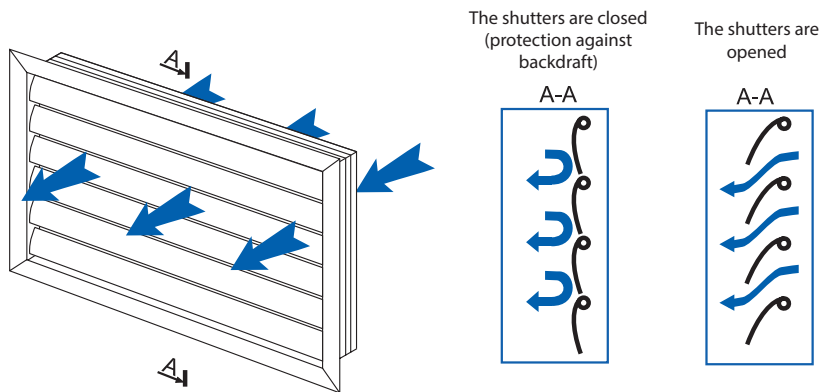


Durable

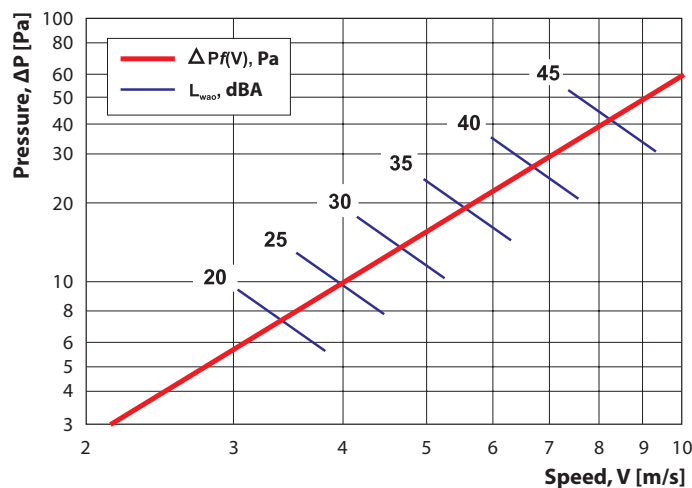


Maintenance-free

Air flow distribution

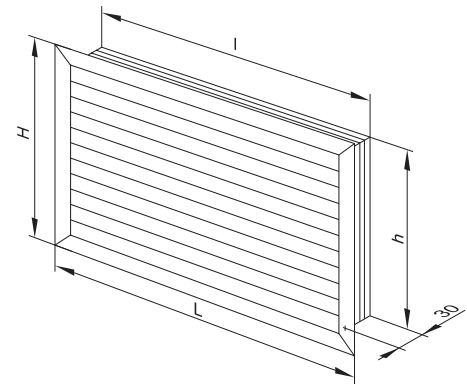


Pressure loss and sound power diagram

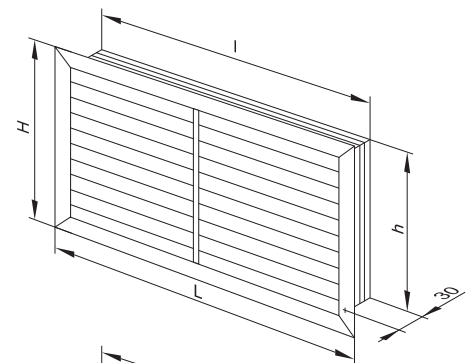


Overall dimensions

Model	Dimensions [mm]				Air pass [m ²]
	H	L	h	l	
GR 300x300	303	303	289	289	0.0543
GR 350x300	303	362	289	348	0.0677
GR 400x300	303	422	289	408	0.1013
GR 450x300	303	464	289	450	0.1132
GR 500x300	303	514	289	500	0.1530
GR 600x300	303	598	289	584	0.1816
GR 350x350	362	362	348	348	0.1512
GR 400x350	362	422	348	408	0.0813
GR 500x350	362	514	348	500	0.1022
GR 600x350	362	598	348	584	0.1212
GR 400x400	422	422	408	408	0.0813
GR 450x400	422	464	408	450	0.1132
GR 500x400	422	514	408	500	0.1274
GR 600x400	422	598	408	584	0.1816
GR 600x600	598	598	584	584	0.1816



Model	Dimensions [mm]				Air pass [m ²]
	H	L	h	l	
GR 900x300	303	914	289	900	0.1882
GR 1200x300	303	1214	289	1200	0.2563
GR 900x350	362	914	348	900	0.2347
GR 1200x350	362	1214	348	1200	0.3196
GR 900x400	422	914	408	900	0.2819
GR 1200x400	422	1214	408	1200	0.3840
GR 900x600	598	914	584	900	0.4205
GR 1200x600	598	1214	584	1200	0.5727



Model	Dimensions [mm]				Air pass [m ²]
	H	L	h	l	
GR 1350x300	303	1364	289	1350	0.2856
GR 1500x300	303	1514	289	1500	0.3197
GR 1350x350	362	1364	348	1350	0.3561
GR 1500x350	362	1514	348	1500	0.3986
GR 1350x400	422	1364	408	1350	0.4278
GR 1500x400	422	1514	408	1500	0.4788
GR 1350x600	598	1364	584	1350	0.6381
GR 1500x600	598	1514	584	1500	0.7142

