

KM Series



KM...Zn Series



Overall dimensions

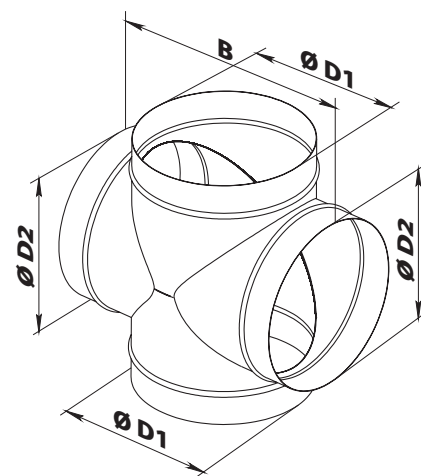
Model		Dimensions [mm]		
		D1	D2	B
KM 80	KM 80 Zn	80	80	170
KM 100	KM 100 Zn	100	100	190
KM 110	KM 110 Zn	110	110	200
KM 120	KM 120 Zn	120	120	210
KM 125	KM 125 Zn	125	125	215
KM 125/160	KM 125/160 Zn	125	160	215
KM 130	KM 130 Zn	130	130	220
KM 140	KM 140 Zn	140	140	230
KM 150	KM 150 Zn	150	150	240
KM 160	KM 160 Zn	160	160	250
KM 180	KM 180 Zn	180	180	260
KM 200	KM 200 Zn	200	200	300
KM 250	KM 250 Zn	250 <td 250	350	
KM 315	KM 315 Zn	315	315	415

Application

- For branch connections of the air ducts used in residential, public and industrial ventilation systems.
- For connection of various air ducts and their integration into complex ventilation systems.

Design

- Made of special steel with polymeric coating (KM series) or galvanized steel (KM...Zn series).
- The cross tee is designed for connection of 4 air ducts of the same diameter at 90° angle.
- The cross tee model **KM 125/160** is equipped with two $\varnothing 125$ mm and two $\varnothing 160$ mm flanges.
- Ventilation system components are fixed by clamps or any other fixing devices.



Accessories

