



KP 80 / KP2 80

Fireproof casing for ventilation unit

APPLICATION

- Exhaust ventilation of multi-storey residential and public premises with high fire safety requirements.
- Suitable for premises with mono-pipe ventilation system.
- Mounting in kitchens, bathrooms, toilets, storerooms and other household areas.

DESIGN

- Designed to prevent penetration of flame products through ventilation shafts into the premises in case of fire.
- The fire resistance rating is E90/I60 for the KP 80 casing and EI90 for the KP2 80 casing.
- Equipped with a maintenance-free fire-resisting damper and fireproof casing.
- Made of silicate plates manufactured by special cement technology based on calcium silicate.
- The plates contain no asbestos and have high mechanical and insulation properties. High hygroscopic and vapor permeable features provide humidity regulation by the material itself.

- Installed into a wall during construction works.
- Connected with the main ventilation shaft with a flexible air duct.
- Connecting branch pipe diameter – 80 mm.
- Supplied with the protective cardboard plate to protect the casing from dirt and dust penetration during construction and finishing works in the room.

MODIFICATIONS AND OPTIONS

- In case of two-room ventilation system the casing is equipped with extra branch pipes with three air duct layout modifications for adjacent room ventilation. In such a case the kit for exhaust ventilation of the adjacent room is used.
- Installation of an extra branch pipe into the fireproof casing can only be made at the factory and therefore must be specified when ordering.
- If fan in fireproof casing is to be mounted into a ceiling, this must be indicated when ordering the product in order to ensure correct positioning of the fire-resisting damper at the factory.

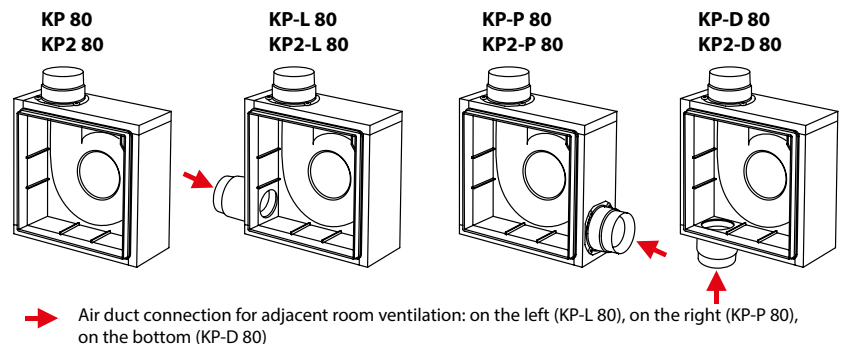
FIRE-RESISTING DAMPER

- Prevents smoke and fire propagation through the air ducts in case of fire.
- As the temperature in the shaft reaches 90 °C the thermal fuse melts and the damper shuts automatically hot air access off, so the flame and smoke penetration through the ventilation shaft system is prevented.
- The damper plate is made of stainless steel.
- Operates as a backdraft damper when the fan is off and prevents air flow from the ventilation shaft.

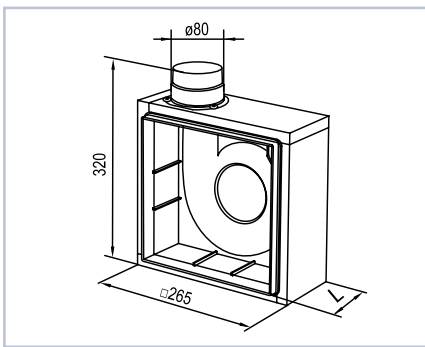


ORDER REF.NO.

KP KP2	Extra branch pipe	80
	_ – no extra branch pipe L – on the left P – on the right D – on the bottom	

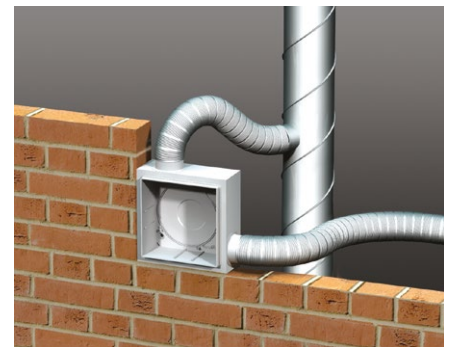
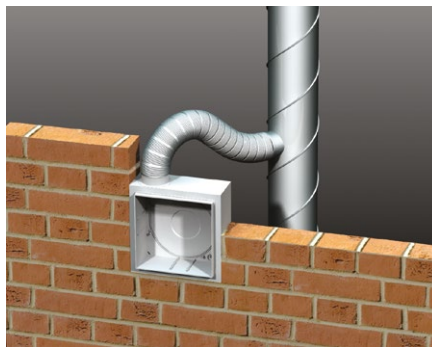


OVERALL DIMENSIONS



L: – 135 mm for KP casing
 – 148 mm for KP2 casing

MOUNTING EXAMPLE



ACCESSORIES

Spirovent	Bracket	Fire-resisting damper	Clamps
