

Series
KR



■ **Application**

Air damper for air flow control in round air ducts. Compatible with duct sizes: Ø 80, 100, 125, 150, 160, 200, 250, 315, 355, 400, 450, 500, 550 and 630 mm.

■ **Design**

The housing and the blade made of galvanized steel.

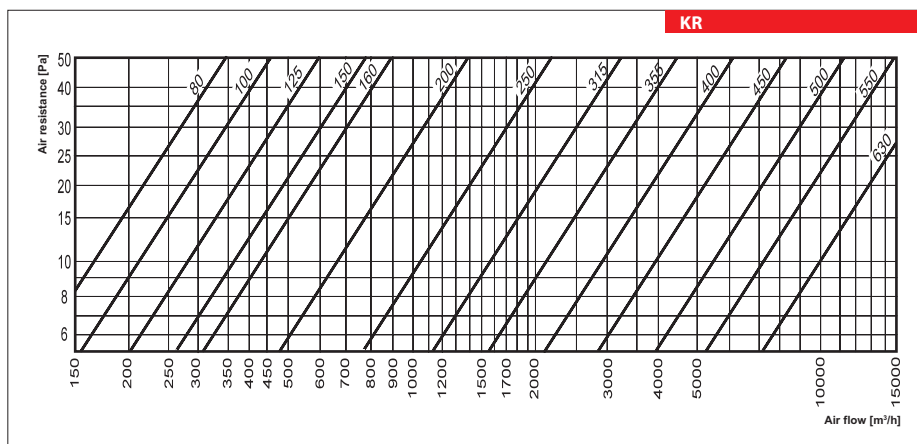
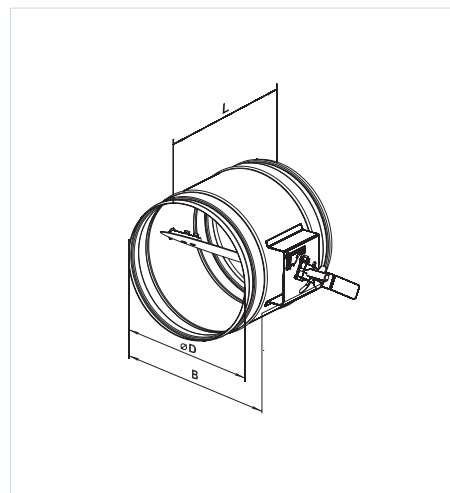
Lever with metal handle and fixing clamp. In closed position about 10 % of cross section is left open. Connection spigots with rubber sealing gaskets.

■ **Mounting**

The damper is connected to round air ducts and fixed with clamps.

Overall dimensions

Type	Dimensions [mm]			Mass [kg]
	ØD	B	L	
KR 80	79	140	200	0.57
KR 100	99	170	200	0.68
KR 125	124	195	200	0.82
KR 150	149	220	200	0.95
KR 160	159	230	200	1.01
KR 200	199	270	200	1.29
KR 250	249	320	200	1.64
KR 315	314	385	240	2.51
KR 355	348	425	240	2.84
KR 400	399	470	240	3.38
KR 450	449	520	240	3.94
KR 500	499	570	240	5.72
KR 550	549	620	240	6.47
KR 630	629	700	240	7.76



Designation key

Series	Spigot diameter [mm]
KR	80; 100; 125; 150; 160; 200; 250; 315; 355; 400; 450; 500; 550; 630