



## KV 80 / KVK 80

Plastic casing for ventilation unit

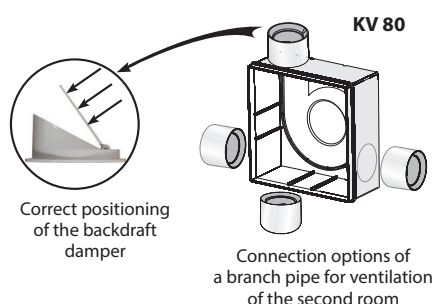
Plastic casing with fire-resisting damper for ventilation unit

### APPLICATION

- Casings for ventilation unit.
- Suitable for premises with mono-pipe ventilation system.
- Mounting in kitchens, bathrooms, toilets, storerooms and other household areas.

### KV 80 DESIGN

- Installed into a wall during construction works.
- No fire-proof functions.
- Made of high-quality durable ABS plastic.
- Equipped with the plastic backdraft damper.
- Connected with the main ventilation shaft with a flexible air duct.
- Connecting branch pipe diameter – 80 mm.
- Supplied with the protective cardboard plate to protect the casing from dirt and dust penetration during construction and finishing works in the room.
- The case perforations allow connecting extra branch pipes for adjacent room ventilation. In this case a kit for exhaust ventilation of adjacent room is used. To connect an extra branch pipe remove the plug in the casing.



### Important!

When mounting the casing, make sure that the backdraft damper is in the correct position, which, in the absence of air flow, must close under its own weight.

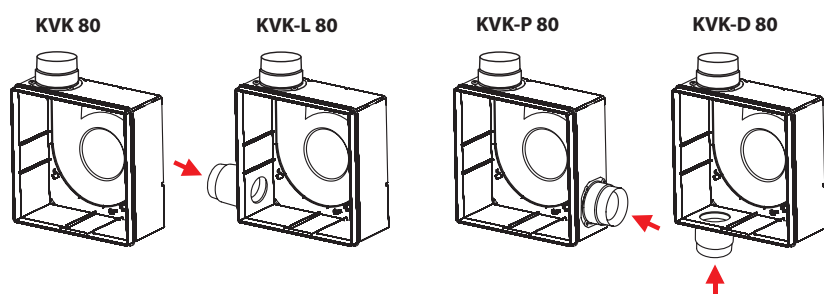
### KVK 80 DESIGN

- Installed into a wall during construction works.
- Equipped with maintenance-free fire-resisting damper to prevent fire and smoke penetration along the air ducts.
- As the temperature in the shaft reaches 90 °C the thermal fuse melts and the damper shuts automatically hot air access off, so the flame and smoke penetration through the ventilation shaft system is prevented.
- The fire-resisting damper serves as a backdraft damper when the fan is off and prevents air moving from the ventilation shaft.

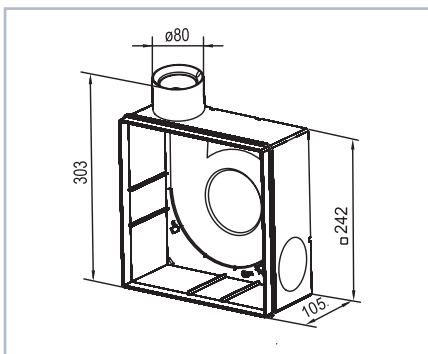
- Made of high-quality durable ABS plastic.
- Connected to the main ventilation shaft with a flexible air duct.
- Connecting branch pipe diameter – 80 mm.
- Supplied with the protective cardboard plate to protect the casing from dirt and dust penetration during construction and finishing works in the room.
- In case of adjacent room ventilation system the casing is equipped with extra branch pipes with three air duct layout modifications for adjacent room ventilation. In such a case the kit for exhaust ventilation of adjacent room is used.

### ORDER REF.NO.

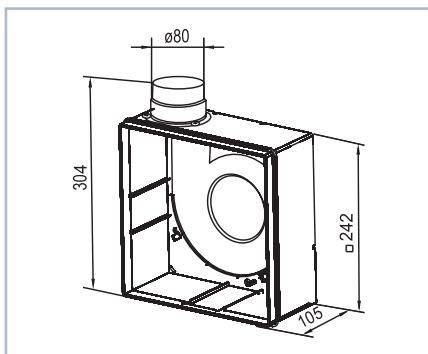
KV	Fireproof branch pipe	Extra fireproof branch pipe	80
	K	_ – no extra branch pipe L – on the left P – on the right D – on the bottom	



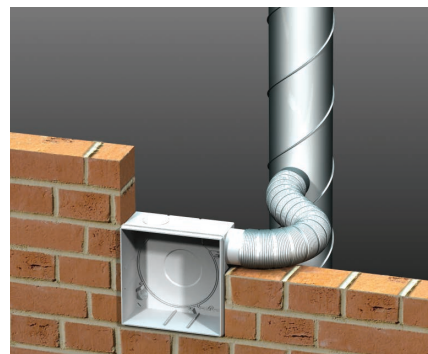
**KV 80 OVERALL DIMENSIONS**



**KVK 80 OVERALL DIMENSIONS**



**MOUNTING EXAMPLE**



**ACCESSORIES**

Spirovent	Bracket	Clamps
