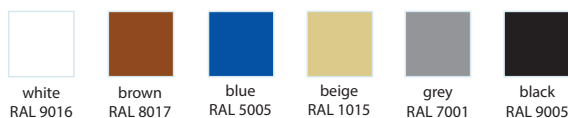


SUPPLY AND EXHAUST MULTIPLE-ROW EDGE-RAISED METAL GRILLES

MVMPO Series



Colour modifications



Overall dimensions

| Model | Dimensions [mm] | | | | | Air pass, [m ²] | Number of rows |
|-----------------|-----------------|-----|-----|-----|-----|-----------------------------|----------------|
| | L | H | l | h | A | | |
| MVMPO 150x250/2 | 150 | 250 | 136 | 236 | 5.5 | 0.0068 | 2 |
| MVMPO 150x350/2 | 150 | 350 | 136 | 336 | 5.5 | 0.0104 | 2 |
| MVMPO 180x250/2 | 180 | 250 | 166 | 236 | 5.5 | 0.0068 | 2 |
| MVMPO 195x245/2 | 195 | 245 | 181 | 231 | 5.5 | 0.0135 | 2 |
| MVMPO 200/2 | 200 | 200 | 186 | 186 | 5.5 | 0.0099 | 2 |
| MVMPO 200x100/2 | 200 | 100 | 186 | 86 | 5.5 | 0.0036 | 2 |
| MVMPO 200x250/2 | 200 | 252 | 186 | 238 | 5.5 | 0.0135 | 2 |
| MVMPO 200x300/2 | 200 | 300 | 186 | 286 | 5.5 | 0.0162 | 2 |
| MVMPO 200x350/2 | 200 | 350 | 186 | 336 | 5.5 | 0.0199 | 2 |
| MVMPO 200x405/2 | 200 | 405 | 186 | 391 | 5.5 | 0.0235 | 2 |
| MVMPO 215x150/2 | 215 | 150 | 201 | 136 | 5.5 | 0.0072 | 2 |
| MVMPO 225x150/2 | 225 | 150 | 211 | 136 | 5.5 | 0.0072 | 2 |
| MVMPO 225/2 | 225 | 225 | 211 | 211 | 5.5 | 0.0117 | 2 |
| MVMPO 240/2 | 240 | 240 | 226 | 226 | 5.5 | 0.0126 | 2 |
| MVMPO 240x165/2 | 240 | 165 | 226 | 151 | 5.5 | 0.0081 | 2 |
| MVMPO 240x195/2 | 240 | 195 | 231 | 181 | 5.5 | 0.0099 | 2 |
| MVMPO 250/2 | 250 | 250 | 236 | 236 | 5.5 | 0.0135 | 2 |
| MVMPO 250x110/2 | 250 | 110 | 236 | 96 | 5.5 | 0.0045 | 2 |
| MVMPO 250x140/2 | 250 | 140 | 236 | 126 | 5.5 | 0.0072 | 2 |
| MVMPO 250x150/2 | 250 | 150 | 236 | 136 | 5.5 | 0.0072 | 2 |
| MVMPO 250x170/2 | 250 | 170 | 236 | 156 | 5.5 | 0.0090 | 2 |
| MVMPO 250x200/2 | 250 | 200 | 236 | 186 | 5.5 | 0.0108 | 2 |
| MVMPO 250x300/2 | 250 | 300 | 236 | 286 | 5.5 | 0.0162 | 2 |
| MVMPO 250x350/2 | 250 | 350 | 236 | 336 | 5.5 | 0.0208 | 2 |
| MVMPO 250x400/2 | 250 | 400 | 236 | 386 | 5.5 | 0.0235 | 2 |
| MVMPO 250x450/2 | 250 | 450 | 236 | 436 | 5.5 | 0.0271 | 2 |
| MVMPO 250x500/2 | 250 | 500 | 236 | 486 | 5.5 | 0.0298 | 2 |

Application

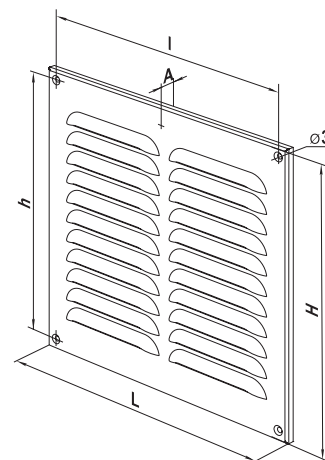
- Decoration of exhaust vents of public, residential and industrial ventilation systems.
- For ventilation, air conditioning and heating.
- Used for correct air flow distribution in premises.
- Internal or external wall and ceiling mounting.

Design

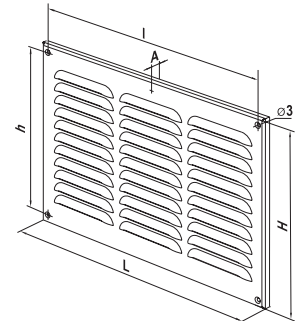
- Made of steel, galvanized steel or aluminium and are suitable for colourful polymer painting.
- Edge-raised grille design.
- Screw fixing.
- Quality materials and zinc-phosphate treatment ensure coating integrity and provide reliable corrosion protection.
- Modifications with a protecting insect screen are available.

Modifications

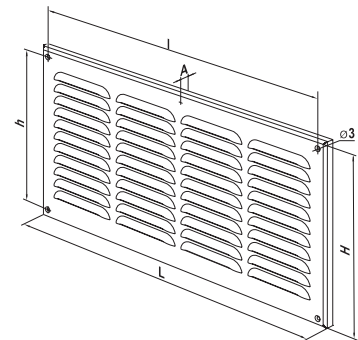
- **MVMPO ...** – basic steel models with white polymer coating.
- **MVMPO ... A** – aluminium grille models with white polymer coating.
- **MVMPO ... s A** – aluminium models with white polymer coating and protecting insect screen.
- **MVMPO ... A (no/p)** – aluminium grille models.
- **MVMPO ... s A (no/p)** – aluminium models with a protecting insect screen.
- **MVMPO ... Zn** – galvanized steel grille models.
- **MVMPO ... s** – steel models with white polymer coating and a protecting insect screen.
- **MVMPO ... s Zn** – galvanized steel models with a protecting insect screen.
- **MVMPO «colour code»** – colourful polymer painted models.



| Model | Dimensions [mm] | | | | | Air pass, [m ²] | Number of rows |
|-----------------|-----------------|-----|-----|-----|-----|-----------------------------|----------------|
| | L | H | l | h | A | | |
| MVMPO 300/3 | 300 | 300 | 286 | 286 | 5.5 | 0.0243 | 3 |
| MVMPO 305x100/3 | 305 | 100 | 291 | 86 | 5.5 | 0.0068 | 3 |
| MVMPO 305x150/3 | 305 | 150 | 291 | 136 | 5.5 | 0.0108 | 3 |
| MVMPO 305x350/3 | 305 | 350 | 291 | 336 | 5.5 | 0.0311 | 3 |
| MVMPO 305x400/3 | 305 | 400 | 291 | 386 | 5.5 | 0.0352 | 3 |
| MVMPO 305x450/3 | 305 | 450 | 291 | 436 | 5.5 | 0.0406 | 3 |
| MVMPO 305x500/3 | 305 | 500 | 291 | 486 | 5.5 | 0.0447 | 3 |
| MVMPO 350x200/3 | 350 | 200 | 336 | 186 | 5.5 | 0.0162 | 3 |
| MVMPO 350x250/3 | 350 | 250 | 336 | 236 | 5.5 | 0.0203 | 3 |
| MVMPO 350x300/3 | 350 | 300 | 336 | 286 | 5.5 | 0.0257 | 3 |
| MVMPO 350/3 | 350 | 350 | 336 | 336 | 5.5 | 0.0311 | 3 |
| MVMPO 350x400/3 | 350 | 400 | 336 | 386 | 5.5 | 0.0352 | 3 |
| MVMPO 350x450/3 | 350 | 450 | 336 | 436 | 5.5 | 0.0406 | 3 |
| MVMPO 350x500/3 | 350 | 500 | 336 | 486 | 5.5 | 0.0447 | 3 |
| MVMPO 360x140/3 | 360 | 140 | 346 | 126 | 5.5 | 0.0108 | 3 |
| MVMPO 360x180/3 | 360 | 180 | 346 | 166 | 5.5 | 0.0135 | 3 |



| Model | Dimensions [mm] | | | | | Air pass, [m ²] | Number of rows |
|-----------------|-----------------|-----|-----|-----|-----|-----------------------------|----------------|
| | L | H | l | h | A | | |
| MVMPO 400/4 | 400 | 400 | 386 | 386 | 5.5 | 0.0270 | 4 |
| MVMPO 400x200/4 | 400 | 200 | 386 | 186 | 5.5 | 0.0217 | 4 |
| MVMPO 400x250/4 | 400 | 250 | 386 | 236 | 5.5 | 0.0468 | 4 |
| MVMPO 400x300/4 | 400 | 300 | 386 | 286 | 5.5 | 0.0325 | 4 |
| MVMPO 400x350/4 | 400 | 350 | 386 | 336 | 5.5 | 0.0415 | 4 |
| MVMPO 400x450/4 | 400 | 450 | 386 | 436 | 5.5 | 0.0541 | 4 |
| MVMPO 400x500/4 | 400 | 500 | 386 | 486 | 5.5 | 0.0596 | 4 |
| MVMPO 450x250/4 | 450 | 250 | 436 | 236 | 5.5 | 0.0271 | 4 |
| MVMPO 450x300/4 | 450 | 300 | 436 | 286 | 5.5 | 0.0343 | 4 |
| MVMPO 450x350/4 | 450 | 350 | 436 | 336 | 5.5 | 0.0415 | 4 |
| MVMPO 450x400/4 | 450 | 400 | 436 | 386 | 5.5 | 0.0469 | 4 |
| MVMPO 450/4 | 450 | 450 | 436 | 436 | 5.5 | 0.0541 | 4 |
| MVMPO 450x500/4 | 450 | 500 | 436 | 486 | 5.5 | 0.0596 | 4 |



| Model | Dimensions [mm] | | | | | Air pass, [m ²] | Number of rows |
|-----------------|-----------------|-----|-----|-----|-----|-----------------------------|----------------|
| | L | H | l | h | A | | |
| MVMPO 500x250/5 | 500 | 250 | 486 | 236 | 5.5 | 0.0338 | 5 |
| MVMPO 500x300/5 | 500 | 300 | 486 | 286 | 5.5 | 0.0429 | 5 |
| MVMPO 500x350/5 | 500 | 350 | 486 | 336 | 5.5 | 0.0519 | 5 |
| MVMPO 500x400/5 | 500 | 400 | 486 | 386 | 5.5 | 0.0587 | 5 |
| MVMPO 500x450/5 | 500 | 450 | 486 | 436 | 5.5 | 0.0677 | 5 |

