

# INSTALLATION INSTRUCTION

---

**NB DVUT 300 HB**  
**NB DVUT 500 HB**  
**NB DVUT 1200 HB**



Outer hood

## PURPOSE

The outer hood (hereinafter referred to as the “hood”) is designed to prevent ingress of water and foreign objects into the ventilation equipment from outside.



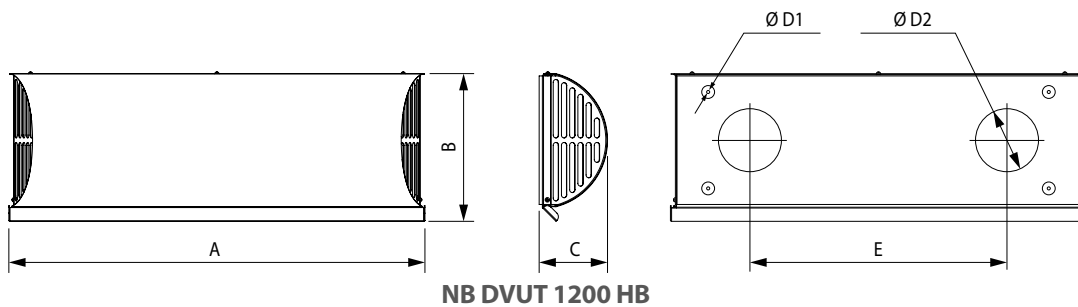
**THE UNIT MAY NOT BE OPERATED BY CHILDREN OR PERSONS WITH REDUCED PHYSICAL, MENTAL OR SENSORY CAPACITIES, OR LACKING THE APPROPRIATE TRAINING.**  
**THE CHOICE OF UNIT INSTALLATION LOCATION MUST PREVENT UNAUTHORIZED ACCESS BY UNATTENDED CHILDREN.**

## DELIVERY SET

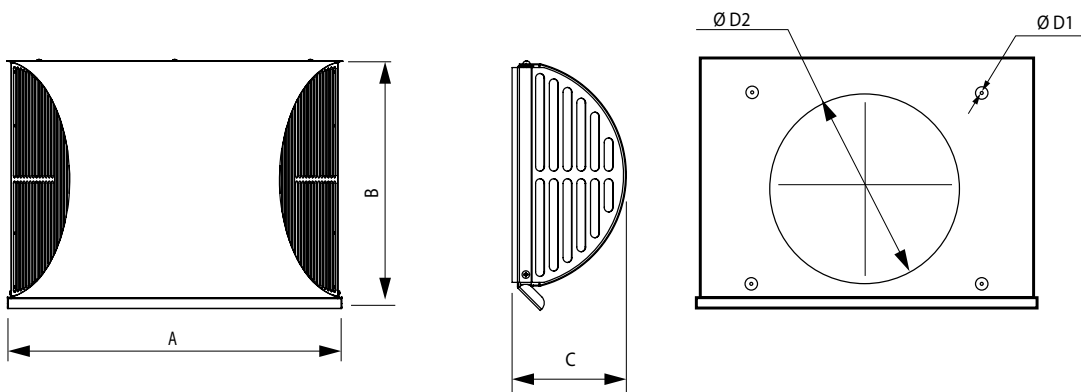
	NB DVUT 300 HB NB DVUT 500 HB	NB DVUT 1200 HB
Hood	1	2
Installation instruction	1	1
Fastening kit	1	1
Packing box	1	1

## OVERALL DIMENSIONS

### NB DVUT 300/500 HB



### NB DVUT 1200 HB



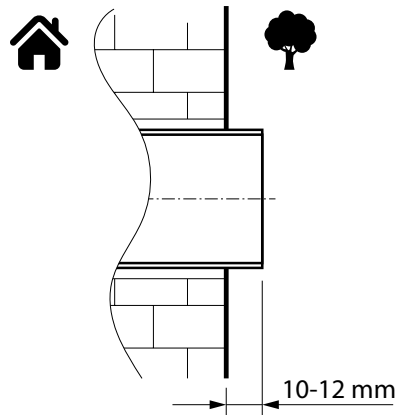
	A	B	C	E	D1	D2
<b>NB DVUT 300 HB</b>	648	370	175	230	6	200
<b>NB DVUT 500 HB</b>	748	480	230	290	6	250
<b>NB DVUT 1200 HB</b>	717	530	250	—	6	402

## INSTALLATION

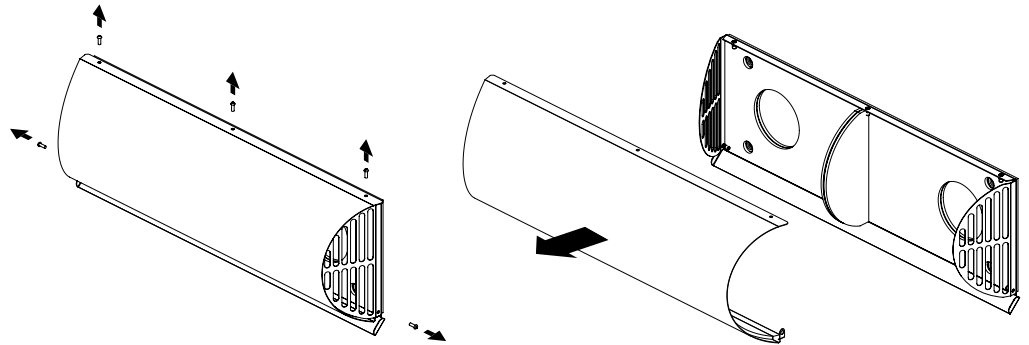
**WARNING! IF THE MOUNTING PLACE IS LOCATED AT HIGH ALTITUDE, PLEASE REFER TO A MOUNTING COMPANY POSSESSING APPROPRIATE MOUNTING EQUIPMENT!**

Installation is shown on the example of the NB DVUT 300 HB ventilation hood.  
For DVUT 1200 units, two NB DVUT 1200 HB hoods must be installed.

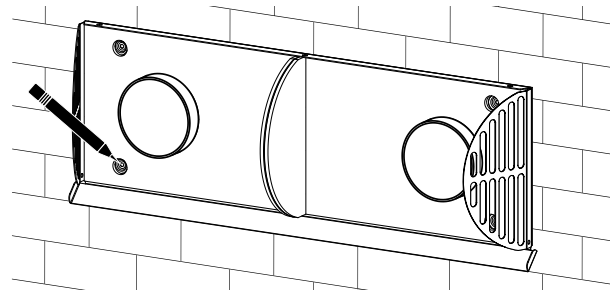
Route the air ducts outside of the outer wall on which the hood will be installed.  
Cut the excess of the air ducts.



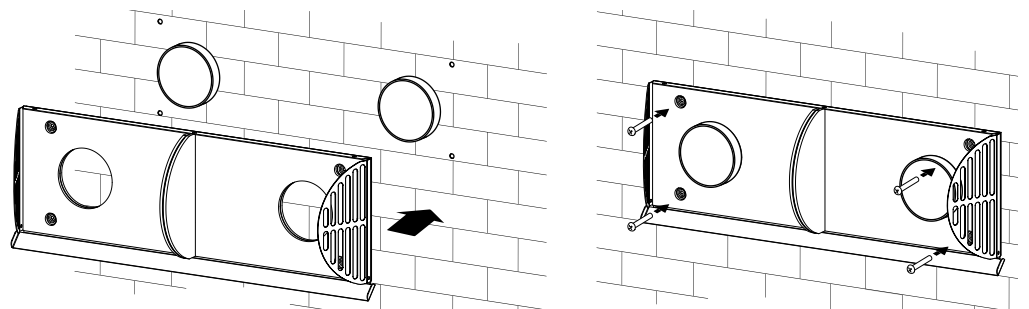
Disassemble the hood to enable access to the fastening holes.  
Remove the screws that secure the front part of the hood and remove it.



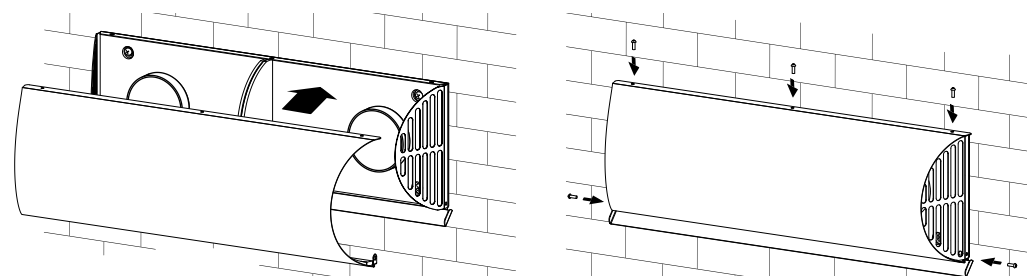
Mark the holes using the back part of the ventilation hood.  
Drill 4 holes for the dowels.



Fix the back part of the hood to the wall.



Install the front part of the hood and fix it with screws.





**VENTS**

