

USER'S MANUAL

NB MICRA 100
NB MICRA 110
NB MICRA 200



Outer hood

PURPOSE

The outer ventilation hood (hereinafter referred to as the "hood") is designed to prevent ingress of water and foreign objects into the ventilation equipment from outside.



THE UNIT SHOULD NOT BE OPERATED BY CHILDREN OR PERSONS WITH REDUCED PHYSICAL, MENTAL, OR SENSORY CAPACITIES, OR THOSE WITHOUT THE APPROPRIATE TRAINING.

THE UNIT MUST BE INSTALLED AND CONNECTED ONLY BY PROPERLY QUALIFIED PERSONNEL AFTER THE APPROPRIATE BRIEFING.

THE CHOICE OF UNIT INSTALLATION LOCATION MUST PREVENT UNAUTHORISED ACCESS BY UNATTENDED CHILDREN.

DELIVERY SET

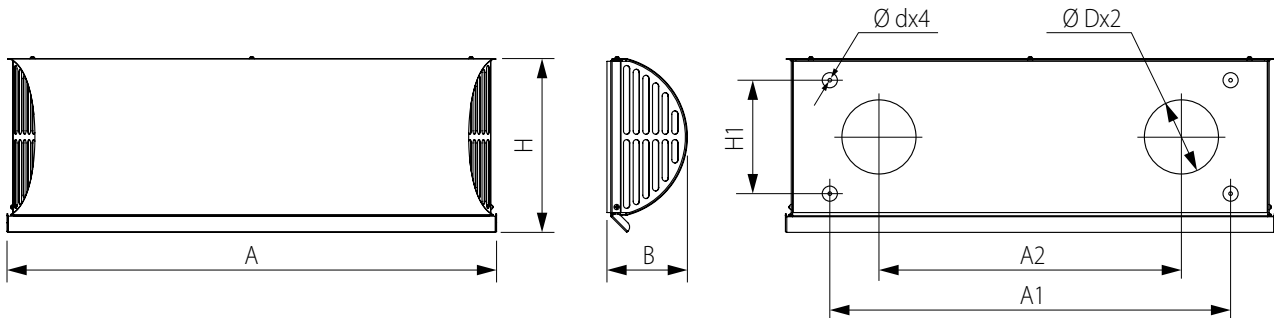
NAME

Hood
Installation instruction
Fastening kit
Packing box

NUMBER

1 pc.
1 pc.
1 pc.
1 pc.

OVERALL DIMENSIONS



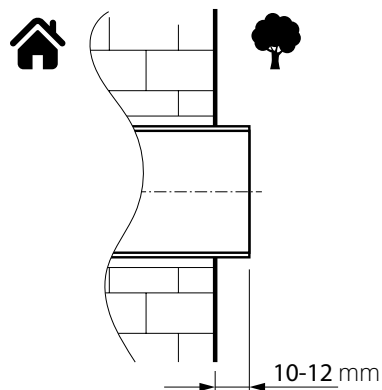
Model	Dimensions [mm]							
	Ø d	Ø D	A	A1	A2	B	H	H1
NB MICRA 100	4.8	98	648	530	400	107	230	150
NB MICRA 110	4.8	98	518	400	270	107	230	150
NB MICRA 200	4.8	98	488	370	240	107	230	150

INSTALLATION

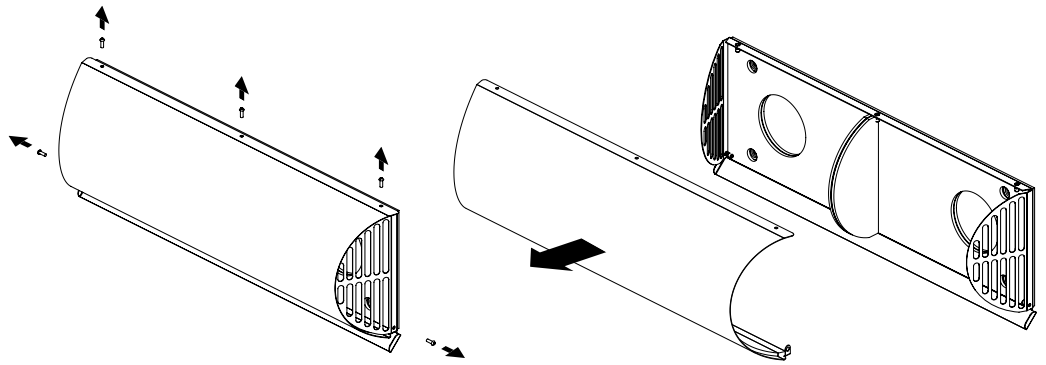
WARNING!

If the mounting place is located at high altitude please refer to a mounting company possessing an appropriate mounting equipment!

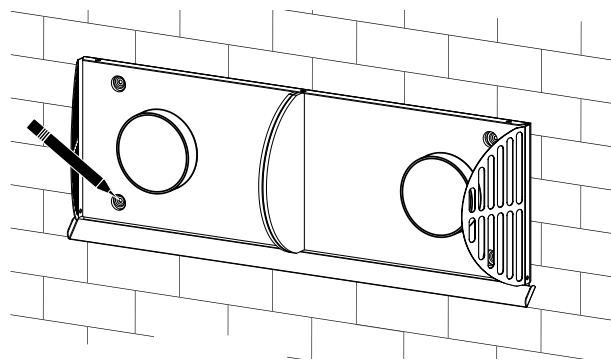
1. Insert the air duct from indoor to protrude from outside on the outer wall surface.
Cut the air duct excess with a hack saw or with any other suitable tool.



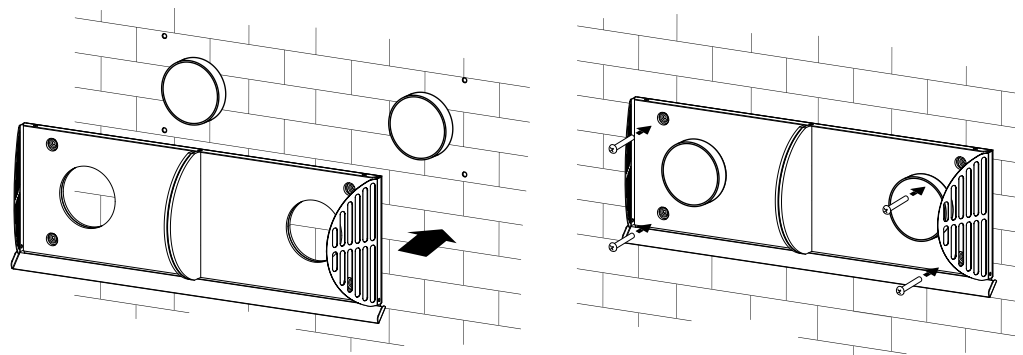
2. Disassemble the hood to enable access to the fastening holes.
Remove the screws that secure the front part of the hood and remove it.



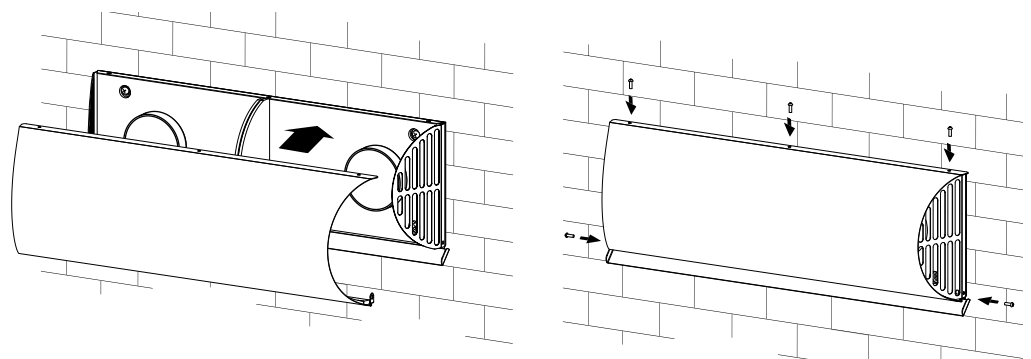
3. Mark the mounting holes using the back part of the ventilation hood.
Drill 4 holes for 6x40 dowels to a depth of 50 mm.



4. Insert the supplied expansion anchors 6x40 into the holes.
Fix the back part of the hood on the wall using the supplied screws 4x40.



5. Place the front part of the hood on the back part and secure with screws.





VENTS

