

ND series



Decorative ventilation grille

Application

- Supply and exhaust ventilation, heating and air conditioning networks in industrial, commercial and domestic premises.

Design

- Made of high-quality plastic.
- Weather- and temperature-resistant.
- Simple and quick mounting.

Colour modifications



UV-resistant



Waterproof



Heat-resistant



Frostproof



Easy mounting



Fire-resistant



Antibacterial



Impact-resistant

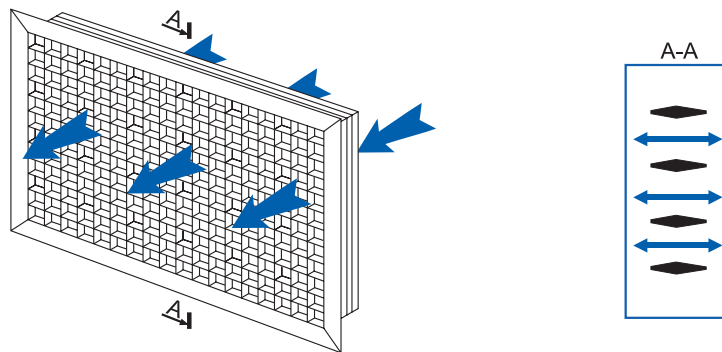


Durable

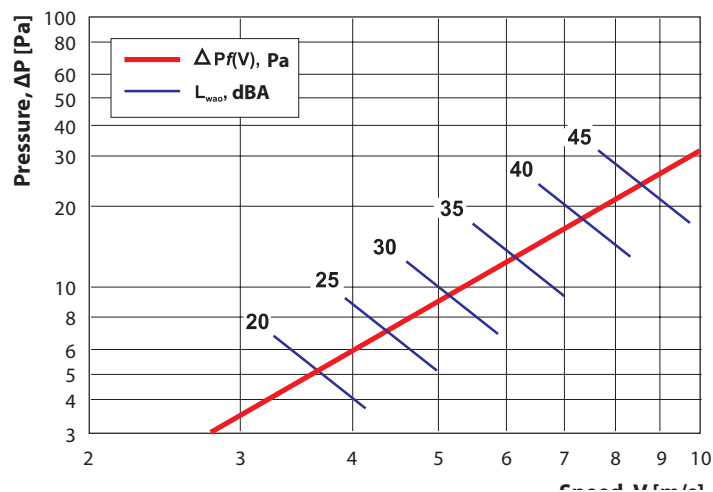


Maintenance-free

Air flow distribution



Pressure loss and sound power diagram



Overall dimensions

Model	Dimensions [mm]				Air pass [m ²]
	H	L	h	l	
ND 350x350	362	362	348	348	0.0729
ND 650x350	362	660	348	646	0.1458
ND 950x350	362	958	348	944	0.2187
ND 1250x350	362	1256	348	1242	0.2916
ND 650x650	660	660	646	646	0.2916
ND 950x650	660	958	646	944	0.4374
ND 1250x650	660	1256	646	1242	0.5832

