

**NM Isovent
Series**



Use

- NM Isovent mounting kits are designed for simple and comfortable connection of heat-insulated air ducts to the spigots of various VENTS ventilation equipment. The mounting kit consists of flanges and matching self-drilling screws as well as mounting clamps for air duct fixation.
- The flanges of NM Isovent mounting kit ensure tight connection of all the heat-insulated air duct components to the ventilation equipment spigots and prevent insulation delamination in the connection points.

- The flanges of NM Isovent mounting kit are made of high-quality impact-resistant polystyrene. The flanges are connected to the ventilation equipment spigots with self-drilling screws with drill.

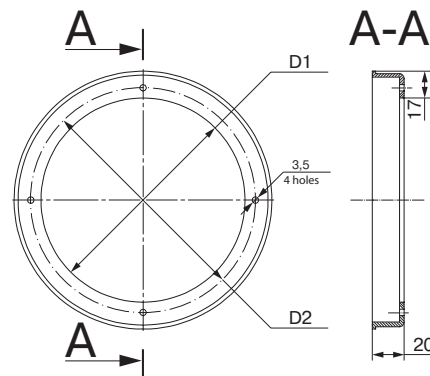
Modifications

- NM Isovent mounting kits are available in two modifications:
 - NM Isovent 125** – compatible with round Ø 125 mm air ducts;
 - NM Isovent 150** – compatible with round Ø 150 mm air ducts;

Design

Overall dimensions

Model	D1, mm	D2, mm
NM Isovent 125	129	141
NM Isovent 150	154	170



Delivery set

NM Isovent mounting kit delivery set includes:

- Flange 2 items
- Self-drilling screws with drill 8 items
- Mounting clamp 2 items
- Packing 1 item

■ **Mounting example of the heat-insulated air ducts with NM Isovent mounting kit**



Cover the air handling unit spigots with the flanges from NM Isovent mounting kit and fix those with self-drilling screws with drill.



Cover the air handling unit spigots with the inner hoses of the heat-insulated air ducts and fix those with metal clamps (special accessory).



Tuck the inner insulation layer of the air ducts under the flanges of NM Isovent mounting kit.



Cover the flanges of NM Isovent mounting kit with inner hoses of heat-insulated air ducts by pressing the hoses tightly against the air handling unit casing and fixing those with clamps (included into delivery).



Tighten the connection point between the inner hose of the heat-insulated air ducts and the flanges of NM Isovent mounting kit with clamps.



Heat-insulated air ducts have reliable connection to the air handling unit spigots.

The unit is ready to operate!