

PM Series



PM...Zn Series



Application

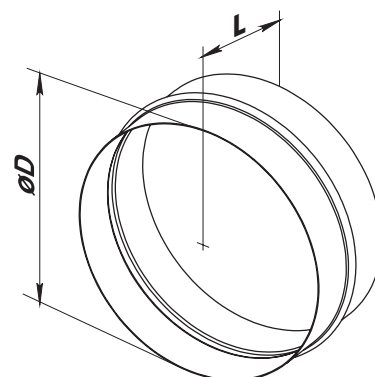
- For connection of flexible air ducts of the respective diameter.

Design

- Made of special steel with polymeric coating (PM series) or galvanized steel (PM...Zn series).
- Fixing with clamps.

Overall dimensions

Model		Dimensions [mm]	
		D	L
PM 80	PM 80 Zn	80	62
PM 100	PM 100 Zn	100	62
PM 110	PM 110 Zn	110	62
PM 120	PM 120 Zn	120	62
PM 125	PM 125 Zn	125	62
PM 130	PM 130 Zn	130	62
PM 140	PM 140 Zn	140	62
PM 150	PM 150 Zn	150	62
PM 160	PM 160 Zn	160	62
PM 180	PM 180 Zn	180	62
PM 200	PM 200 Zn	200	62
PM 250	PM 250 Zn	250	62
PM 315	PM 315 Zn	315	62



Accessories

