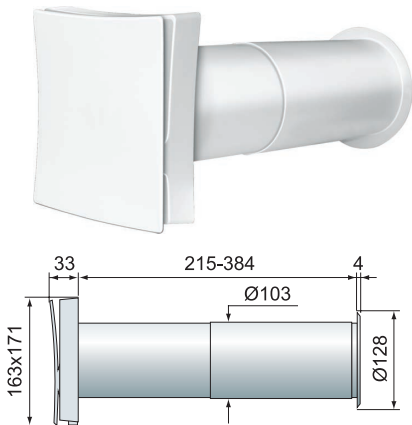


PASSIVE VENTILATION

PS WALL VENT

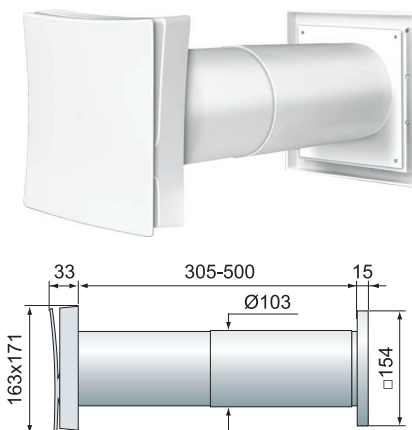
PS 100



Description ■ Wall vent is intake ventilation unit for constant ventilation and designed for supplying of fresh air to residential or nonresidential premises. Wall vent can fill the room with fresh air is not opening windows and not letting the dust, street noise, dust to the premises. And also eliminates the leakage of heat in the winter time through an open window or window vent and, thus, reduce the cost of additional heating of the room. You can safely leave the room, tightly closed all the windows and window vents, allowing the wall vent to perform their functions during your absence. Wall vent is installed in the outer wall of premises, cottages, office buildings, etc. above or near a window.

Features ■ Special designed construction of internal grille and air flow regulation provided smooth intake of air flow and its distribution that guarantees lack of draughts. Smooth mixing of warm and cold air in winter time prevents of extra humidity and provides the self-regulation of the climate in premises.

PS 101



Construction and design ■ Wall vent consist of 2 ventilation grilles (internal and external) and telescopic pipe.

Internal grille is made of high-quality ABS plastic and supplied with dust filter (G3). It is possible to adjust or close the volume of air flow intake with in-build regulator.

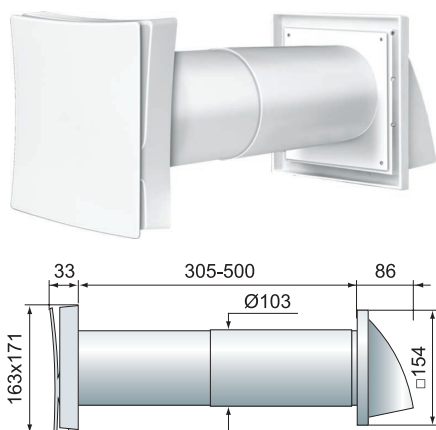


PVC telescope of adjustable length



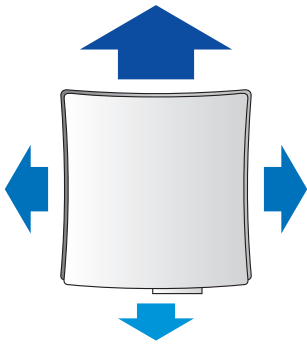
External grille is made of high-quality ABS plastic.

PS 102

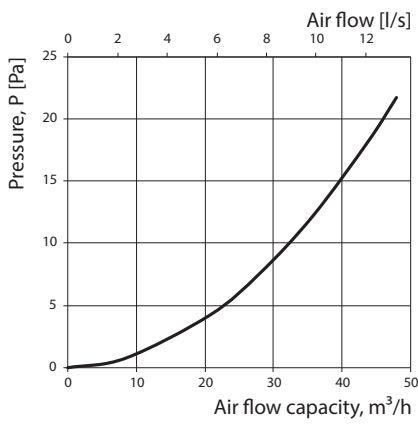


PASSIVE VENTILATION

PS WALL VENT



Intensity of the air flow



Pressure lost diagram

Air flow distribution

Construction of internal grille and regulation of the air flow provides the smooth air flow intake and distribution in premises. You can also regulate intensity of the air flow.



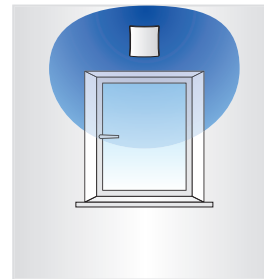
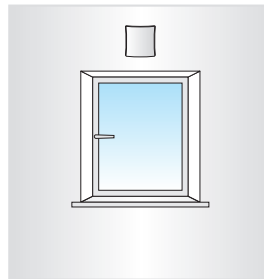
Closed



Open 40%

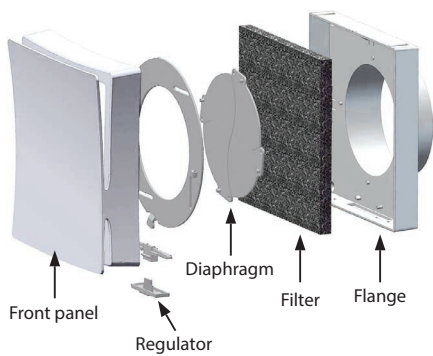


Open 100%

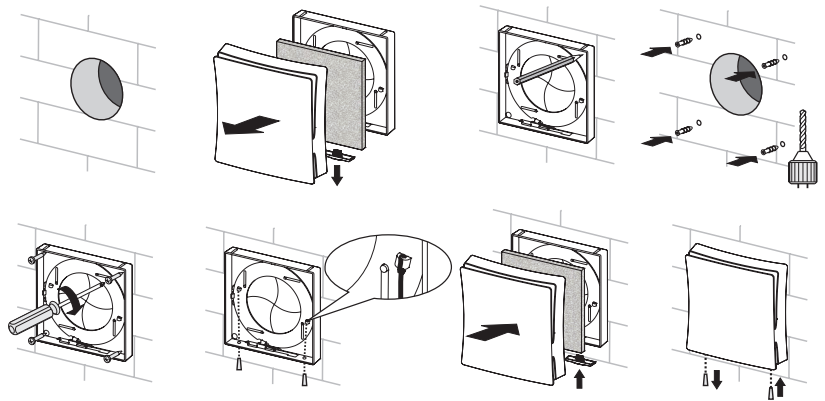


Air flow distribution at different regulator position

Construction of the internal grille



Installation



Colors of external grille



Order code

PS

model

color

- 10 – internal grille
- 100 – set with round external grille
- 101 – set with rectangular external grille
- 102 – set with external ventilation cowl

- White
- Grey
- Beige
- Brown

Packaging: color carton box or PE bag with carton header