

Mating flange  
**FKV**



■ **Application**

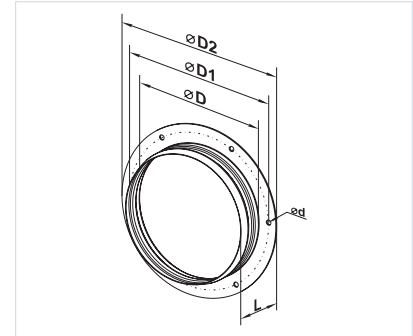
Designed for connection of the round air ducts with roof fans VKV, VKH, VKV EC, VKH EC.

■ **Design**

Made of galvanized steel.

**Overall dimensions**

Type	Standard size of compatible fans	Dimensions [mm]					Mass [kg]
		∅D	∅D1	∅D2	∅d	L	
FKV 220-225	190, 220, 225	183	210	235	7	40	0.34
FKV 250-315	250, 280, 310	256	285	306	7	40	0.52
FKV 355-500	355, 400, 450, 500	402	430	464	9	40	1.05
FKV 560	560, 630	567	605	639	9	40	1.60
FKV 710	710	634	674	708	9	40	3.15



Mounting frame  
**RKV**  
**(RKVI – insulated)**



■ **Application**

The mounting frame RKV (RKVI) is designed for mounting of roof fans on a flat surface, for example, for mounting of VKV, VKH, VKV EC, VKH EC, VKMK, VKMKp, VOK, VOK1 fan series.

■ **Design**

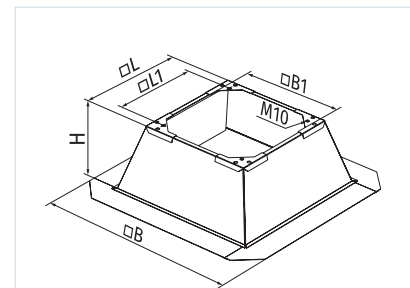
The RKV casing is made of galvanized steel and the RKVI casing is made of galvanized steel and provided

with 20 mm thick thermal-insulating layer based on mineral cotton. The frame casing fully disables any water ingress and is used for final isolation directly on the roof. Specially designed flanges at the frame base ensure its easy and reliable mounting on the roof. The models with the standard size 630 to 1100 are equipped with a detachable bolted panel for facilitation of mounting.

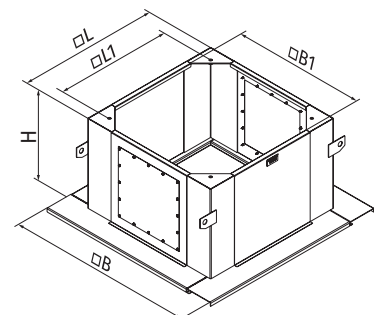
**Overall dimensions**

Type	Standard size of compatible fans	Dimensions [mm]					Mass [kg]
		B	B1	H	L	L1	
RKV 220-225	190, 220, 225	720	254	300.5	301	245	10.4
RKV 250-315	250, 280, 310	810	352	300.5	401	330	12.0
RKV 355-400	355, 400	980	506	300.5	561	450	16.4
RKV 450-500	450, 500	997	576	300.5	631	535	16.9
RKV 560	560	1180	769.9	300.5	817	750	26.7
RKV 630	630	1212	852	600.0	912	750	65.9
RKV 710, 800	710, 800	1262	902	600.0	962	840	68.5
RKV 900	900	1512	1152	650.0	1212	1050	85.7
RKV 1000, 1100	1000, 1100	1712	1352	730.0	1412	1240	103.7

Type	Standard size of compatible fans	Dimensions [mm]					Mass [kg]
		B	B1	H	L	L1	
RKVI 220-225	190, 220, 225	720	254	300.5	301	245	13.8
RKVI 250-315	250, 280, 310	810	352	300.5	401	330	16.9
RKVI 355-400	355, 400	980	506	300.5	561	450	20.3
RKVI 450-500	450, 500	997	576	300.5	631	535	21.2
RKVI 560	560	1180	769.9	300.5	817	750	35.7
RKVI 630	630	1212	850	600.0	912	750	85.5
RKVI 710, 800	710, 800	1262	900	600.0	962	840	89.0
RKVI 900	900	1512	1150	650.0	1212	1050	113.0
RKVI 1000, 1100	1000, 1100	1712	1350	730.0	1412	1240	140.6



**RKV 220-225 - RKV 560**  
**RKVI 220-225 - RKVI 560**



**RKV 630 - RKV 1000-1100**  
**RKVI 630 - RKVI 1000-1100**