

**RM
Series**



**RM...Zn
Series**



Overall dimensions

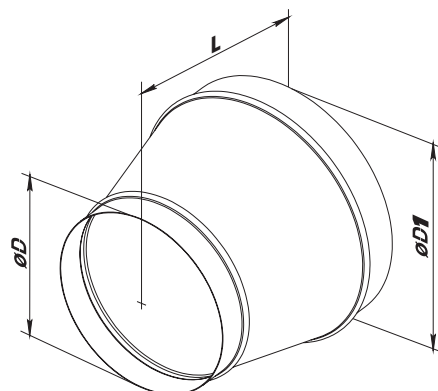
Model		Dimensions [mm]		
		D	D1	L
RM 80/100	RM 80/100 Zn	80	100	115
RM 100/125	RM 100/125 Zn	100	125	125
RM 100/120	RM 100/120 Zn	100	120	125
RM 125/150	RM 125/150 Zn	125	150	125
RM 125/160	RM 125/160 Zn	125	160	144
RM 150/160	RM 150/160 Zn	150	160	172
RM 150/200	RM 150/200 Zn	150	200	172
RM 160/200	RM 160/200 Zn	160	200	154
RM 200/250	RM 200/250 Zn	200	250	172
RM 250/315	RM 250/315 Zn	250	315	195

Application

- For branch connections of the air ducts used in residential, public and industrial ventilation systems.
- For connection of various air ducts and their integration into complex ventilation systems.
- For connection of two various air duct diameters.

Design

- Made of special steel with polymeric coating (RM series) or galvanized steel (RM...Zn series).
- The reducer is designed for connection of two air ducts with various diameters.
- Ventilation system components are fixed by clamps or any other fixing devices.



Accessories

