

## VENTS Stream EC Series



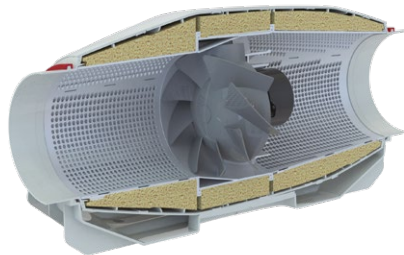
Sound- and heat-insulated mixed flow duct fans with air flow up to **600 m<sup>3</sup>/h** and with EC motor

### Application

The VENTS Stream EC series of duct fans is available in a special sound-insulated casing that ensures silent fan operation with high aerodynamic performance. Compatible with Ø 150, 160 mm air ducts. The VENTS Stream EC fans combine wide capabilities and high technical parameters of axial and centrifugal fans, providing powerful air flow and high pressure as well as cost-effectiveness and manageability of the EC motor. 100% variable speed, multiple fans can be connected to a computer control system equipped with sensors. Application: intended for supply and exhaust ventilation systems of different commercial and industrial premises with high demands on energy efficiency and noise level (libraries, conference halls, educational institutions, kindergartens etc.).

### Design

The designer case is made of high-quality and durable plastic. Heat- and sound-insulation of the casing are made of a 50 mm layer of non-flammable mineral wool. The special perforation of the casing and the sound-absorbing material ensure that sound is attenuated over a wide frequency range.



The diffuser, the specially profiled impeller and the directing vanes at the outlet of the fan casing distribute air flow in such a way as to attain the best combination of high performance and high pressure at low noise level. The fan casing is equipped with an outer airtight terminal box for connection to power mains.

### Electric motor

The units are equipped with highly efficient electronically commutated EC motors. These state-of-the-art motors are the most advanced solution in energy efficiency today. EC motors are characterised with high performance and optimum control across the entire speed range. In addition to that, the efficiency of the electronically commutated motor reaches very impressive levels of up to 90 %.

### Speed control

The fan is controlled with the 0-10 V control signal (capacity control is performed depending on the

temperature, humidity, pressure and other parameters). When the value of the control factor changes, the EC fan changes the rotation speed and supplies exactly the amount of air required by the ventilation system.

### Mounting

The fans are intended for mounting to round air ducts. The fan casing has mounting brackets for floor, wall or ceiling mounting. Access for the fan maintenance shall be provided during mounting. For wiring installation and mounting of the fan follow the guidelines in the user's manual and wiring diagram on the terminal box. Several fans may be installed in one system in parallel to attain higher air capacity or in series to increase operating pressure in the system.

### Designation key

Series	Air duct diameter	Motor type	Options
<b>VENTS Stream:</b> mixed-flow fan in sound-insulated casing	<b>150/160</b>	<b>EC:</b> synchronous electronically commutated motor	<b>Un:</b> speed controller with an electronic thermostat and external temperature sensor fixed on 4 m cable. Equipped with a power cord and an electric plug. Temperature-based operation logic. <b>R:</b> power cord with mains plug. <b>P:</b> built-in smooth speed controller.

### Accessories



Silencer

Filters

Heaters

Back valve

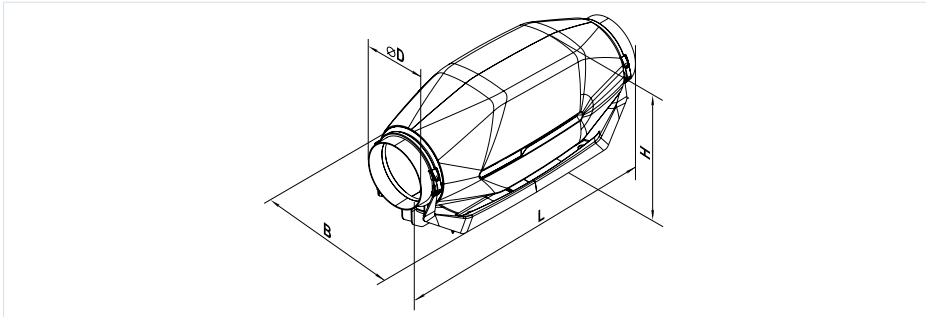
Air damper

Clamps

Speed controller R-1/010

**Overall dimensions of fans**

Model	Dimensions [mm]				Weight [kg]
	∅D	B	L	H	
Stream 150/160 EC (spigot 150 mm)	150	253	606	273	5
Stream 150/160 EC (spigot 160 mm)	160		606		



**Technical data**

	Stream 150/160 EC
Unit voltage [V/50 (60) Hz]	1~230
Power [W]	55
Current [A]	0,49
Maximum air flow [m <sup>3</sup> /h]	600
Maximum air flow [l/s]	167
RPM [min <sup>-1</sup> ]	3506
Sound pressure level at 3 m distance [dBA]	38
Transported air temperature [°C]	-25...+55
Protection class	IPX4
Motor protection	IP44

VENTS  
STREAM EC  
FAN SERIES

