

## Insulating transformer TRF-220/12-25



### Application

- Low-voltage step-down transformers are used in humid premises as bathroom and kitchen with low-voltage (12 V) safety requirements. TRF transformers are used to provide safe power voltage 12 V/ 50 Hz for the domestic fans not more than 16 W (25VA) with current load up to 2 A.

### Design

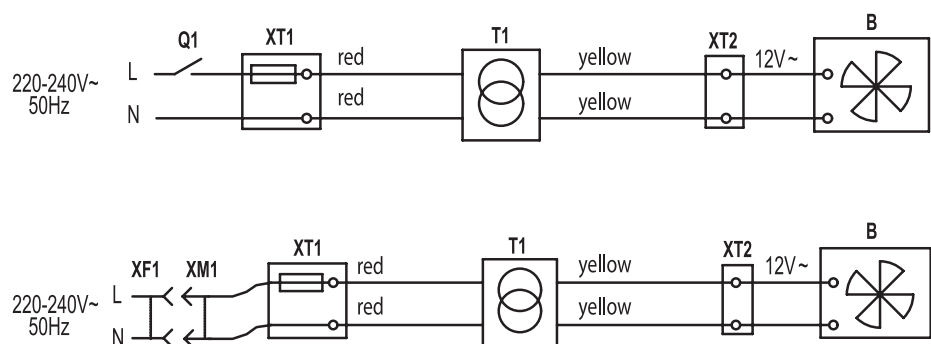
- Transformer for flush mounting. The transformer casing is made of plastic and supplied with a protective terminal box. Electrical connection of the fan with the safe voltage 12 V is done through the output terminal block.
- For overload protection the transformer is equipped with a replaceable melting fuse built in the input terminal board.
- Protection rating (except terminal blocks) IP40.

### Mounting

- Transformer is designed for indoor installation in areas not subjected to high humidity and temperature influence.
- Transformer is designed for ceiling flush mounting or recess wall mounting. In case of installation into a junction box provide sufficient air ventilation to prevent the device overheating.
- Observe the applicable fire safety requirements while installation and operation. Do not install transformers above heating equipment.

### Technical data

	TRF-220/12-25
Voltage [V] at 50 Hz	1~ 230
Output voltage [V] / 50 Hz	12
Max. load power, no more	16 (25 VA)
Maximum load current [A]	2.0
Overall dimensions LxBxH [mm]	Transformer 91x58x62 Terminal box 110x40x40
Maximum ambient temperature [°C]	+40
Protection	IP40
Weight [kg]	0.8



Transformer wiring diagrams

- Q1 – external switch integrated into fixed wiring system;
- XT1 – input terminal block with built-in fuse in the protecting terminal box;
- XF1 – socket integrated into fixed wiring system;
- XM1 – standard wall plug;
- T1 – transformer;
- XT2 – output terminal block for connection of 12 V fan.
- B – low voltage fan, 12 V.