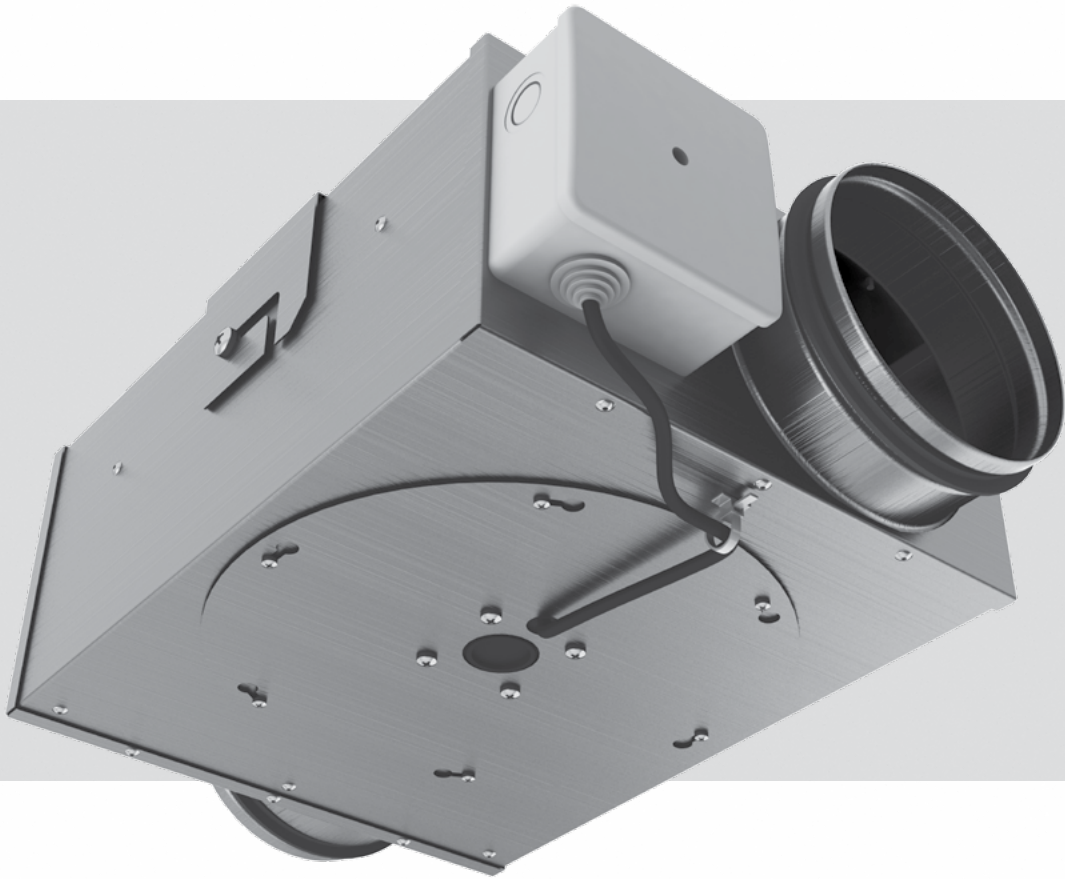


USER'S MANUAL

VKP mini



INLINE CENTRIFUGAL FAN

CONTENTS

| | |
|---|----|
| Safety requirements..... | 3 |
| Purpose..... | 5 |
| Delivery set..... | 5 |
| Designation key..... | 5 |
| Technical data..... | 6 |
| Unit design and operating principle..... | 10 |
| Installation and set-up..... | 11 |
| Connection to power mains..... | 13 |
| Technical maintenance..... | 14 |
| Troubleshooting..... | 14 |
| Storage and transportation regulations..... | 14 |
| Manufacturer's warranty..... | 15 |
| Certificate of acceptance..... | 19 |
| Seller information..... | 19 |
| Installation certificate..... | 19 |
| Warranty card..... | 19 |

This user's manual is a main operating document intended for technical, maintenance, and operating staff.

The manual contains information about purpose, technical details, operating principle, design, and installation of the VKP mini unit and all its modifications.

Technical and maintenance staff must have theoretical and practical training in the field of ventilation systems and should be able to work in accordance with workplace safety rules as well as construction norms and standards applicable in the territory of the country.

SAFETY REQUIREMENTS

All user's manual requirements as well as the provisions of all the applicable local and national construction, electrical, and technical norms and standards must be observed when installing and operating the unit.

Disconnect the unit from the power supply prior to any connection, servicing, maintenance, and repair operations.

Only qualified electricians with a work permit for electrical units up to 1000 V are allowed for installation. The present user's manual should be carefully read before beginning works.

Check the unit for any visible damage of the impeller, the casing, and the grille before starting installation. The casing internals must be free of any foreign objects that can damage the impeller blades.

While mounting the unit, avoid compression of the casing! Deformation of the casing may result in motor jam and excessive noise.

Misuse of the unit and any unauthorised modifications are not allowed.

Do not expose the unit to adverse atmospheric agents (rain, sun, etc.).

Transported air must not contain any dust or other solid impurities, sticky substances, or fibrous materials.

Do not use the unit in a hazardous or explosive environment containing spirits, gasoline, insecticides, etc.

Do not close or block the intake or extract vents in order to ensure the efficient air flow.

Do not sit on the unit and do not put objects on it.

The information in this user's manual was correct at the time of the document's preparation.

The Company reserves the right to modify the technical characteristics, design, or configuration of its products at any time in order to incorporate the latest technological developments.

Never touch the unit with wet or damp hands.

Never touch the unit when barefoot.

The installation site of the fan must have protective elements that prevent foreign objects from entering the fan.

When starting, setting up and operating the fan, the exhaust and supply spigots must be protected to prevent injury from the rotating parts of the fan.

This unit is not intended for use by persons (including children) with reduced physical, sensory or mental capabilities, or lack of experience and knowledge, unless they have been given supervision or instruction concerning use of the unit by a person responsible for their safety. Children should be supervised to ensure that they do not play with the unit.

Connection to the mains must be made through a disconnecting device, which is integrated into the fixed wiring system in accordance with the wiring rules for design of electrical units, and has a contact separation in all poles that allows for full disconnection under overvoltage category III conditions.

If the supply cord is damaged, it must be replaced by the manufacturer, its service agent, or similarly qualified persons in order to avoid a safety hazard.

Ensure that the unit is switched off from the supply mains before removing the guard.

WARNING: If there are any unusual oscillating movements, immediately stop using the unit and contact the manufacturer, its service agent or suitably qualified persons.

The replacement of parts of the safety suspension system device shall be performed by the manufacturer, its service agent or suitably qualified persons.

Fixing means for attachment to the ceiling such as hooks or other devices shall be fixed with a sufficient strength to withstand 4 times the weight of the appliance.

The mounting of the suspension system shall be performed by the manufacturer, its service agent or suitably qualified persons.

The appliance is to be installed so that the blades are more than 2.3m above the floor.

Precautions must be taken to avoid the back-flow of gases into the room from the open flue of gas or other fuel-burning appliances.



**THE PRODUCT MUST BE DISPOSED SEPARATELY AT THE END OF ITS SERVICE LIFE.
DO NOT DISPOSE THE UNIT AS UNSORTED DOMESTIC WASTE.**

PURPOSE



THE UNIT SHOULD NOT BE OPERATED BY CHILDREN OR PERSONS WITH REDUCED PHYSICAL, MENTAL, OR SENSORY CAPACITIES, OR THOSE WITHOUT THE APPROPRIATE TRAINING.

THE UNIT MUST BE INSTALLED AND CONNECTED ONLY BY PROPERLY QUALIFIED PERSONNEL AFTER THE APPROPRIATE BRIEFING.

THE CHOICE OF UNIT INSTALLATION LOCATION MUST PREVENT UNAUTHORISED ACCESS BY UNATTENDED CHILDREN.

The Inline centrifugal fan is designed for supply and exhaust ventilation of domestic, public and industrial premises with high requirements to the noise level and with limited space for mounting.

The unit is rated for continuous operation.

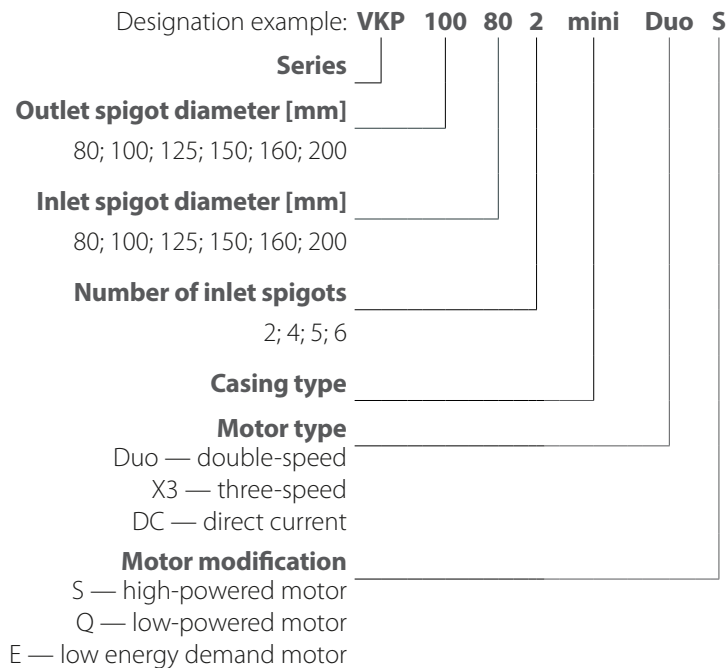
The unit is a component part and is not designed for stand-alone operation.

Transported air must not contain any flammable or explosive mixtures, evaporation of chemicals, sticky substances, fibrous materials, coarse dust, soot and oil particles or environments favourable for the formation of hazardous substances (toxic substances, dust, pathogenic germs).

DELIVERY SET

| NAME | NUMBER |
|------------------|--------|
| Fan | 1 pc. |
| Mounting bracket | 1 pc. |
| User's manual | 1 pc. |
| Packing box | 1 pc. |

DESIGNATION KEY



TECHNICAL DATA

The unit is designed for indoor application with the ambient temperature ranging from 0 °C up +45 °C and relative humidity up to 80 %.

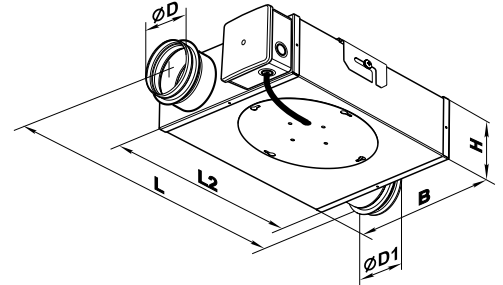
The unit is rated as a Class I electrical appliance. Hazardous parts access and water ingress protection rating: IP22 for the assembled unit connected to the air ducts and IP44 for the unit motors.

The unit design is constantly being improved, thus some models may be slightly different from those described in this manual.

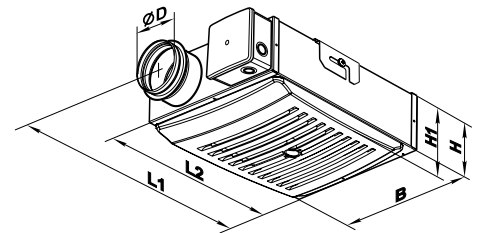
| Model | Speed | Voltage [V/50 Hz] | Power [W] | Current [A] | Maximum air flow [m ³ /h] | Rotation per minute [RPM] | Noise level at 3 m distance [dBA] | Maximum transported air temperature [°C] |
|-------------------|-------|-------------------|-----------|-------------|--------------------------------------|---------------------------|-----------------------------------|--|
| VKP 80 mini | 1 | 230 | 20 | 0.32 | 88 | 1400 | 32 | +50 |
| | 2 | | 26 | 0.34 | 130 | 1800 | 35 | |
| | 3 | | 45 | 0.4 | 162 | 2600 | 43 | |
| VKP 80 P mini | 1 | 230 | 20 | 0.32 | 88 | 1400 | 32 | |
| | 2 | | 26 | 0.34 | 130 | 1800 | 35 | |
| | 3 | | 45 | 0.4 | 162 | 2600 | 43 | |
| VKP 80/80x2 mini | 1 | 230 | 20 | 0.32 | 88 | 1400 | 32 | |
| | 2 | | 26 | 0.34 | 130 | 1800 | 35 | |
| | 3 | | 45 | 0.4 | 162 | 2600 | 43 | |
| VKP 80/80x4 mini | 1 | 230 | 20 | 0.32 | 88 | 1400 | 32 | |
| | 2 | | 26 | 0.34 | 130 | 1800 | 35 | |
| | 3 | | 45 | 0.4 | 162 | 2600 | 43 | |
| VKP 80/80x5 mini | 1 | 230 | 20 | 0.32 | 88 | 1400 | 32 | |
| | 2 | | 26 | 0.34 | 130 | 1800 | 35 | |
| | 3 | | 45 | 0.4 | 162 | 2600 | 43 | |
| VKP 80/80x6 mini | 1 | 230 | 20 | 0.32 | 88 | 1400 | 32 | |
| | 2 | | 26 | 0.34 | 130 | 1800 | 35 | |
| | 3 | | 45 | 0.4 | 162 | 2600 | 43 | |
| VKP 100 mini | 1 | 230 | 20 | 0.32 | 97 | 1400 | 33 | |
| | 2 | | 26 | 0.34 | 138 | 1800 | 36 | |
| | 3 | | 45 | 0.4 | 176 | 2600 | 44 | |
| VKP 100 P mini | 1 | 230 | 20 | 0.32 | 97 | 1400 | 33 | |
| | 2 | | 26 | 0.34 | 138 | 1800 | 36 | |
| | 3 | | 45 | 0.4 | 176 | 2600 | 44 | |
| VKP 100/80x2 mini | 1 | 230 | 20 | 0.32 | 97 | 1400 | 33 | |
| | 2 | | 26 | 0.34 | 138 | 1800 | 36 | |
| | 3 | | 45 | 0.4 | 176 | 2600 | 44 | |
| VKP 100/80x4 mini | 1 | 230 | 20 | 0.32 | 97 | 1400 | 33 | |
| | 2 | | 26 | 0.34 | 138 | 1800 | 36 | |
| | 3 | | 45 | 0.4 | 176 | 2600 | 44 | |
| VKP 100/80x5 mini | 1 | 230 | 20 | 0.32 | 97 | 1400 | 33 | |
| | 2 | | 26 | 0.34 | 138 | 1800 | 36 | |
| | 3 | | 45 | 0.4 | 176 | 2600 | 44 | |
| VKP 100/80x6 mini | 1 | 230 | 20 | 0.32 | 97 | 1400 | 33 | |
| | 2 | | 26 | 0.34 | 138 | 1800 | 36 | |
| | 3 | | 45 | 0.4 | 176 | 2600 | 44 | |

| Model | Speed | Voltage [V/Hz] | Power [W] | Current [A] | Maximum air flow [m ³ /h] | Rotation per minute [RPM] | Noise level at 3 m distance [dBA] | Maximum transported air temperature [°C] |
|--------------------|-------|----------------|-----------|-------------|--------------------------------------|---------------------------|-----------------------------------|--|
| VKP 100/100x2 mini | 1 | 230/50 | 20 | 0.32 | 97 | 1400 | 33 | +50 |
| | 2 | | 26 | 0.34 | 138 | 1800 | 36 | |
| | 3 | | 45 | 0.4 | 176 | 2600 | 44 | |
| VKP 100/100x4 mini | 1 | 230/50 | 20 | 0.32 | 97 | 1400 | 33 | |
| | 2 | | 26 | 0.34 | 138 | 1800 | 36 | |
| | 3 | | 45 | 0.4 | 176 | 2600 | 44 | |
| VKP 100/100x5 mini | 1 | 230/50 | 20 | 0.32 | 97 | 1400 | 33 | |
| | 2 | | 26 | 0.34 | 138 | 1800 | 36 | |
| | 3 | | 45 | 0.4 | 176 | 2600 | 44 | |
| VKP 100/100x6 mini | 1 | 230/50 | 20 | 0.32 | 97 | 1400 | 33 | |
| | 2 | | 26 | 0.34 | 138 | 1800 | 36 | |
| | 3 | | 45 | 0.4 | 176 | 2600 | 44 | |
| VKP 100 | 1 | 230/50 | 58 | 0.26 | 240 | 2500 | 47 | +50 |
| VKP 125 | 1 | 230/50 | 58 | 0.26 | 340 | 2500 | 48 | |
| VKP 125/100x2 | 1 | 230/50 | 58 | 0.26 | 340 | 2500 | 48 | |
| VKP 125/100x4 | 1 | 230/50 | 58 | 0.26 | 340 | 2500 | 48 | |
| VKP 150, VKP 160 | 1 | 230/50 | 85 | 0.38 | 553 | 2600 | 50 | +40 |
| VKP 150, VKP 160 | 1 | 230/60 | 107 | 0.47 | 610 | 2810 | 52 | |
| VKP 150/125x2 | 1 | 230/50 | 85 | 0.38 | 553 | 2600 | 50 | |
| VKP 125 mini | 1 | 230/50 | 48 | 0.22 | 242 | 1430 | 37 | +50 |
| VKP 125 S mini | 1 | 230/50 | 127 | 0.55 | 414 | 2800 | 47 | +50 |
| VKP 125 mini Duo | 1 | 230/50 | 42 | 0.18 | 220 | 1960 | 39 | +50 |
| | 2 | 230/50 | 48 | 0.22 | 300 | 2610 | 45 | +50 |
| VKP 150 mini | 1 | 230/50 | 113 | 0.52 | 536 | 1050 | 46 | +50 |
| VKP 150 mini Duo | 1 | 230/50 | 98 | 0.43 | 356 | 750 | 45 | +50 |
| | 2 | 230/50 | 122 | 0.56 | 533 | 870 | 46 | +50 |
| VKP 200 mini | 1 | 230/50 | 139 | 0.61 | 783 | 950 | 47 | +50 |
| VKP 200 mini Duo | 1 | 230/50 | 103 | 0.45 | 460 | 770 | 46 | +50 |
| | 2 | 230/50 | 142 | 0.63 | 752 | 1200 | 48 | +50 |

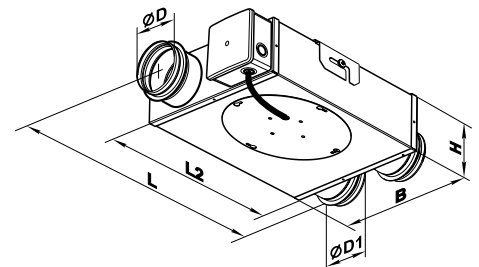
| Model | Dimensions [mm] | | | | | | | | Weight [kg] |
|------------------|-----------------|-----|-----|-----|----|-----|----|-----|-------------|
| | ØD | ØD1 | B | H | H1 | L | L1 | L2 | |
| VKP 80 mini | 79 | 79 | 252 | 90 | - | 351 | - | 253 | 3.2 |
| VKP 100 mini | 99 | 99 | 252 | 110 | - | 351 | - | 253 | 3.2 |
| VKP 125 mini | 124 | 124 | 270 | 141 | - | 397 | - | 299 | 5.2 |
| VKP 125 S mini | 124 | 124 | 270 | 141 | - | 397 | - | 299 | 5.8 |
| VKP 125 mini Duo | 124 | 124 | 303 | 152 | - | 430 | - | 330 | 6.0 |
| VKP 150 mini | 149 | 149 | 340 | 207 | - | 447 | - | 350 | 7.1 |
| VKP 150 mini Duo | 149 | 149 | 340 | 207 | - | 447 | - | 350 | 7.7 |
| VKP 200 mini | 198 | 198 | 362 | 222 | - | 494 | - | 397 | 8.8 |
| VKP 200 mini Duo | 198 | 198 | 362 | 222 | - | 494 | - | 397 | 8.8 |
| VKP 100 | 99 | 99 | 252 | 133 | - | 420 | - | 321 | 4.5 |
| VKP 125 | 124 | 124 | 252 | 133 | - | 420 | - | 321 | 4.5 |
| VKP 150 | 149 | 149 | 300 | 170 | - | 480 | - | 382 | 5.4 |
| VKP 160 | 159 | 159 | 300 | 170 | - | 480 | - | 382 | 5.5 |



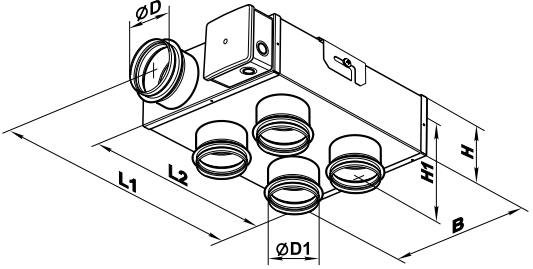
| | | | | | | | | | |
|----------------|----|---|-----|-----|-----|---|-----|-----|-----|
| VKP 80 R mini | 79 | - | 252 | 90 | 126 | - | 297 | 253 | 3.1 |
| VKP 100 R mini | 99 | - | 252 | 110 | 144 | - | 297 | 253 | 3.1 |



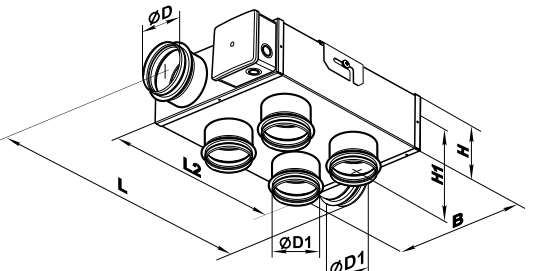
| | | | | | | | | | |
|--------------------|-----|-----|-----|-----|---|-----|---|-----|-----|
| VKP 80/80x2 mini | 79 | 79 | 252 | 90 | - | 351 | - | 253 | 3.1 |
| VKP 100/80x2 mini | 99 | 79 | 252 | 110 | - | 351 | - | 253 | 3.1 |
| VKP 100/100x2 mini | 99 | 99 | 252 | 110 | - | 351 | - | 253 | 3.1 |
| VKP 125/100x2 | 124 | 99 | 252 | 133 | - | 420 | - | 321 | 4.5 |
| VKP 150/125x2 | 149 | 124 | 300 | 170 | - | 480 | - | 382 | 5.5 |



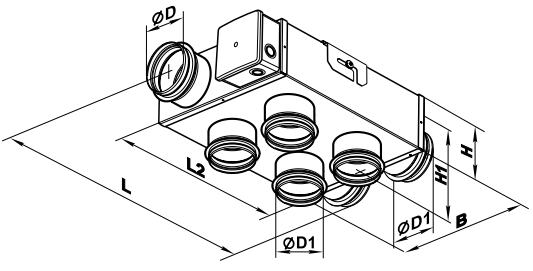
| Model | Dimensions [mm] | | | | | | | | Weight [kg] |
|--------------------|-----------------|-----|-----|-----|-----|---|-----|-----|-------------|
| | ØD | ØD1 | B | H | H1 | L | L1 | L2 | |
| VKP 80/80x4 mini | 79 | 79 | 252 | 90 | 136 | - | 297 | 253 | 3.4 |
| VKP 100/80x4 mini | 99 | 79 | 252 | 110 | 166 | - | 297 | 253 | 3.4 |
| VKP 100/100x4 mini | 99 | 99 | 252 | 110 | 166 | - | 297 | 253 | 3.4 |
| VKP 125/100x4 | 124 | 99 | 252 | 133 | 191 | - | 370 | 321 | 5.0 |



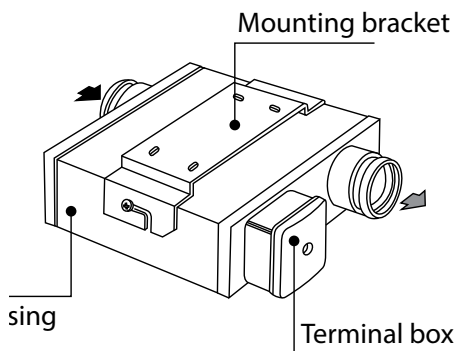
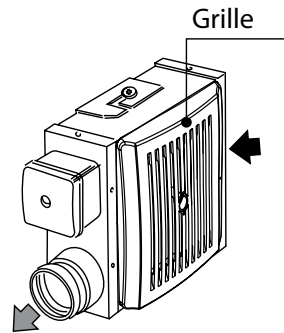
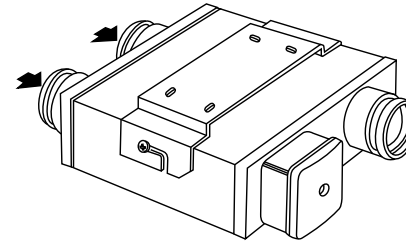
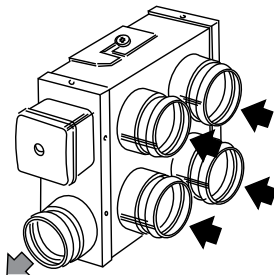
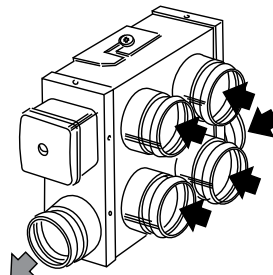
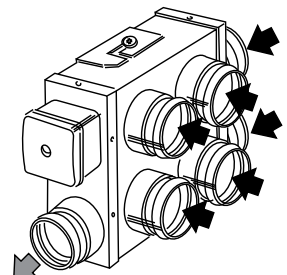
| | | | | | | | | | |
|--------------------|----|----|-----|-----|-----|-----|---|-----|-----|
| VKP 80/80x5 mini | 79 | 79 | 252 | 90 | 136 | 351 | - | 253 | 3.5 |
| VKP 100/80x5 mini | 99 | 79 | 252 | 110 | 166 | 351 | - | 253 | 3.7 |
| VKP 100/100x5 mini | 99 | 99 | 252 | 110 | 166 | 351 | - | 253 | 3.5 |



| | | | | | | | | | |
|--------------------|----|----|-----|-----|-----|-----|---|-----|-----|
| VKP 80/80x6 mini | 79 | 79 | 252 | 90 | 136 | 351 | - | 253 | 3.6 |
| VKP 100/80x6 mini | 99 | 79 | 252 | 110 | 166 | 351 | - | 253 | 3.6 |
| VKP 100/100x6 mini | 99 | 99 | 252 | 110 | 166 | 351 | - | 253 | 3.6 |



UNIT DESIGN AND OPERATING PRINCIPLE

**a) VKP 80...200 mini
VKP 100...160**

1 inlet – 1 outlet
b) VKP 80..100 R mini

**1 inlet – 1 outlet
(with a decorative grille)**
**c) VKP 80..100/80..100 x 2 mir
VKP 125..150/100..125 x 2**

2 inlets – 1 outlet
**d) VKP 80..100/80..100 x 4 mini
VKP 125/100x4**

e) VKP 80..100/80..100 x 5 mini

f) VKP 80..100/80..100 x 6 mini


The VKP mini fan consists of a metal casing with a turbine fixed on a casing flange. The impeller with forward curved blades is located inside of the scroll casing that ends up with the exhaust spigot. The terminal box incorporates an operating capacitor and a terminal block inside, and is attached to the casing end face. The flange with the turbine and the fixing bracket with mounting slots are screwed to the back or front panel of the fan casing depending on its model.

The VKP fan consists of a metal casing with a turbine with backward curved blades fixed to a flange. The terminal box with an operating capacitor and a terminal block inside is attached to the casing end face. The flange with the turbine and the fixing bracket with mounting slots is screwed to the back or front panel of the fan casing depending on its model.

The **VKP 80 mini** and **VKP 100 mini** fans and all their modifications have 3 operating speeds.

The **VKP mini Duo** fans have 2 operating speeds.

The **VKP mini** fans have 1 operating speed.

The **VKP S mini** fans incorporate a high-powered motor.

INSTALLATION AND SET-UP



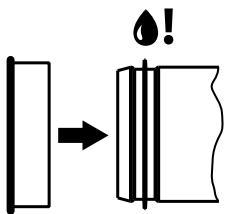
BEFORE MOUNTING MAKE SURE THE CASING DOES NOT CONTAIN ANY FOREIGN OBJECTS (E.G. FOIL, PAPER).



WHILE INSTALLING THE UNIT ENSURE CONVENIENT ACCESS FOR SUBSEQUENT MAINTENANCE AND REPAIR.

The fan is suitable both for horizontal and vertical installation. To get the best performance of the unit and to minimize turbulence-induced air pressure losses, connect the straight air duct section to the spigots on both sides of the unit while installing. Minimum straight air duct length: equal to 1 air duct diameter on intake side and to 3 air duct diameters on outlet side. No filters or any other similar devices are allowed to be installed in these sections.

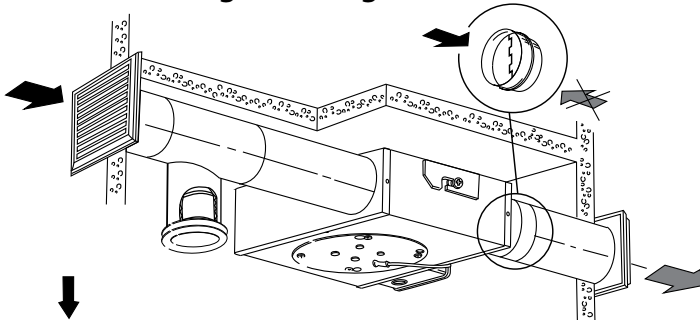
| Model | Dimensions, mm | | Model | Dimensions, mm | | |
|--------------------|----------------|-----|------------------------|----------------|-----|--|
| | H1 | H2 | | H1 | H2 | |
| VKP 80 mini | 60 | 200 | VKP 100/100x4 mini | 60 | 200 | |
| VKP 80 P mini | | | VKP 100/100x5 mini | | | |
| VKP 80/80x2 mini | | | VKP 100/100x6 mini | | | |
| VKP 80/80x4 mini | | | VKP 100 | | | |
| VKP 80/80x5 mini | | | VKP 125 | | | |
| VKP 80/80x6 mini | | | VKP 125/100x4 | | | |
| VKP 100 mini | | | VKP 150 | | | |
| VKP 100 P mini | | | VKP 150/125x2 | | | |
| VKP 100/80x2 mini | | | VKP 160 | | | |
| VKP 100/80x4 mini | | | VKP 125 (S) mini (Duo) | | | |
| VKP 100/80x5 mini | | | VKP 150 mini (Duo) | | | |
| VKP 100/80x6 mini | | | VKP 200 mini (Duo) | | | |
| VKP 100/100x2 mini | | | | | | |
| | | | | | | |



CAUTION!

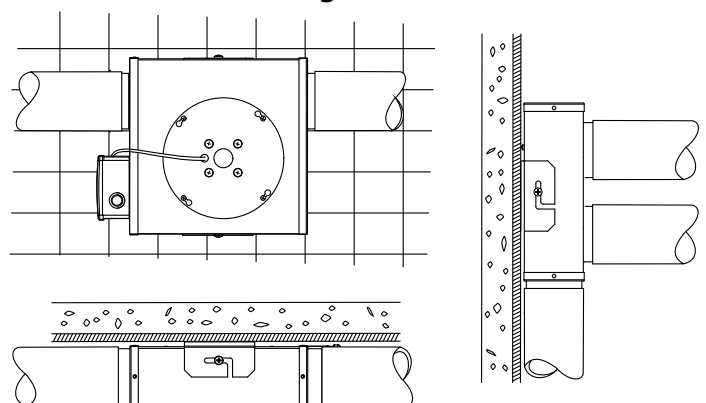
If necessary, close the fan spigot with a plug, lubricate the rubber seal of the spigot with silicone grease. Silicone grease for rubber seals is purchased separately, plugs are available on request.

a) Unit ceiling mounting



Install a backdraft damper to prevent air back drafting (optionally).

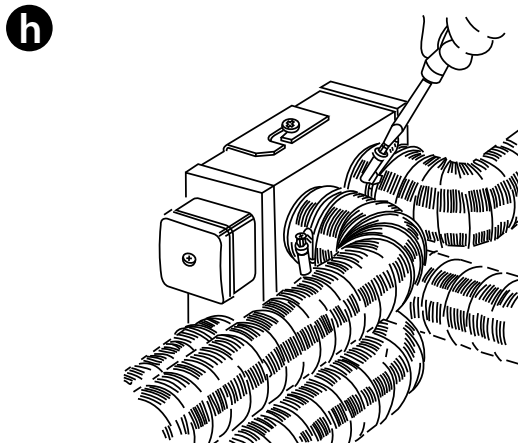
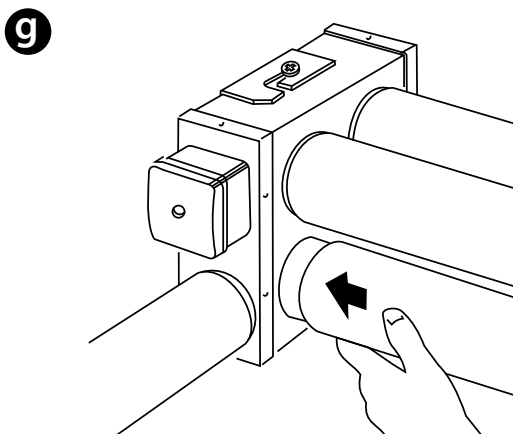
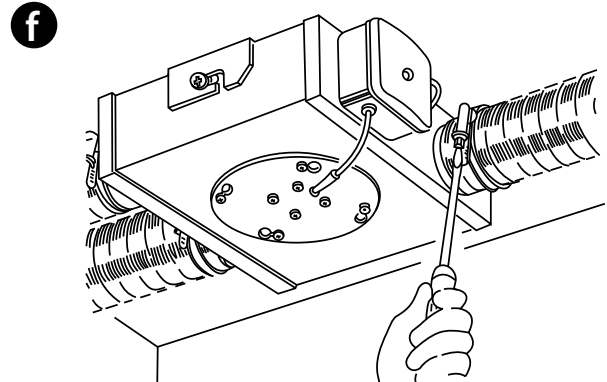
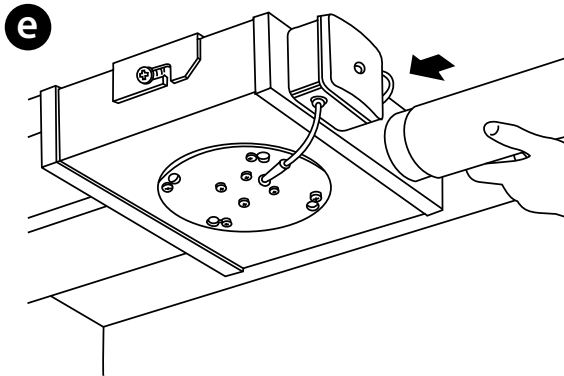
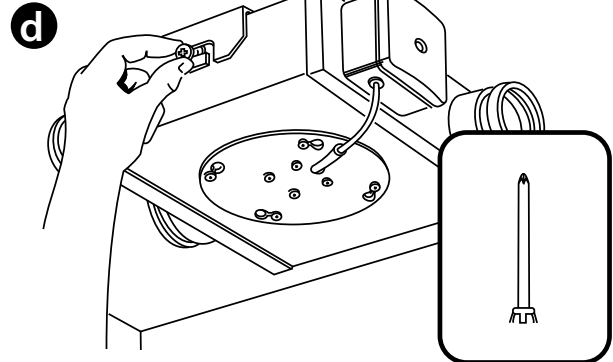
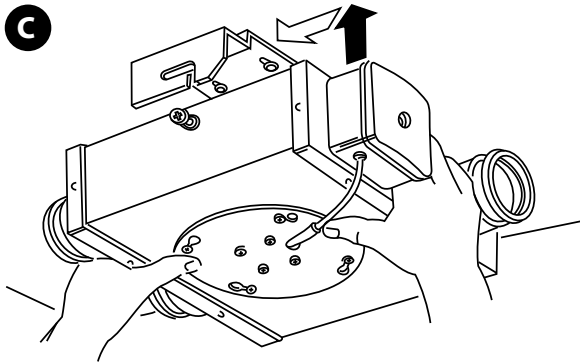
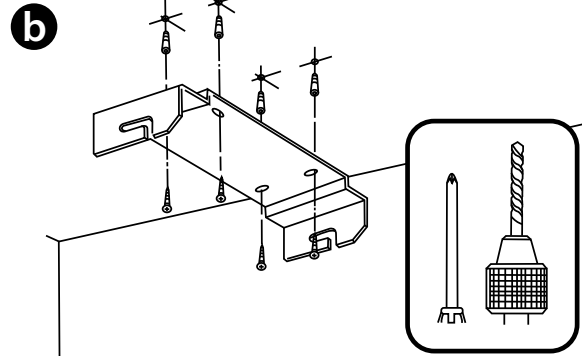
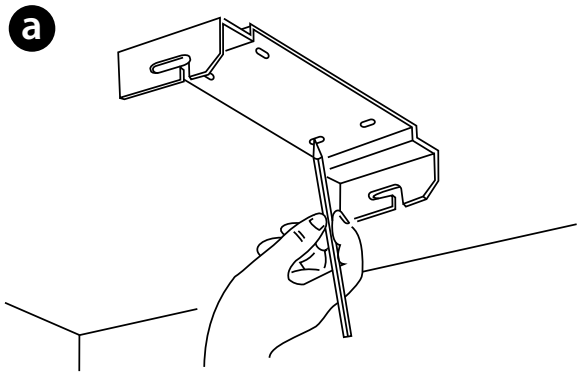
b) Unit wall mounting



Fan mounting sequence:

- Make sure that the fan is disconnected from power mains.
- Mark the positions for mounting the fixing brackets on the load-bearing surface.
- Drill the holes and fix the bracket with matching fasteners (e.g. dowels), see Fig. b.
- Install the fan on the fixing bracket (Fig. c).
- Tighten the fixing screws (Fig. d).
- Connect the air ducts to the fan spigots (Fig. e).
- Tighten the quick-detachable clamps at the points where the air ducts are connected to the spigots (see Fig. e).

Connection options of the air duct to the **VKP ... /... x4** fans are shown in Fig. g, h.



CONNECTION TO POWER MAINS



DISCONNECT THE POWER SUPPLY PRIOR TO ANY OPERATIONS WITH THE UNIT.

CONNECTION OF THE UNIT TO POWER MAINS IS ALLOWED BY A QUALIFIED ELECTRICIAN WITH A WORK PERMIT FOR THE ELECTRIC UNITS UP TO 1000 V AFTER CAREFUL READING OF THE PRESENT USER'S MANUAL.

THE RATED ELECTRICAL PARAMETERS OF THE UNIT ARE GIVEN ON THE MANUFACTURER'S LABEL.

- The unit is rated for connection to 1~230 V/50 (60) Hz power mains.
- The unit must be connected to power mains using insulated electric conductors (cables, wires). The actual wire cross section selection must be based on the maximum load current, maximum conductor temperature depending on the wire type, insulation, length and installation method.
- The external power input must be equipped with an automatic circuit breaker built into the stationary wiring to open the electric circuit in case of overload or short-circuit. The circuit breaker installation place must provide quick access for emergency shutdown of the unit. The trip current of the automatic circuit breaker **QF** must exceed the maximum current consumption of the unit (refer to the technical data table). The recommended trip current of the circuit breaker is the next current in the standard trip current row following the maximum current of the connected unit. The automatic circuit breaker is not included in the delivery set.

The recommended circuit breaker nominal current is 1.0 A.

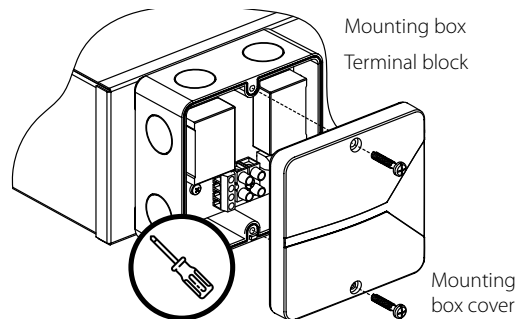
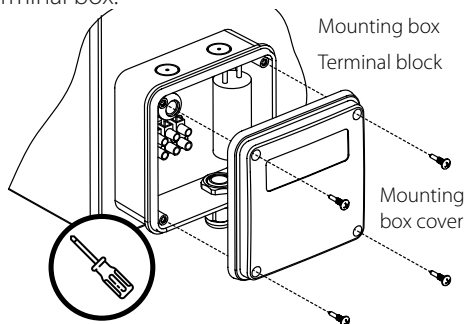
The conductor section is 0.75 mm².

Connect the fan to power mains through the terminal block incorporated inside the terminal box on the fan casing in compliance with the fan wiring diagram.

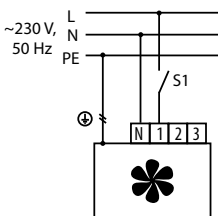
Airflow direction must be in compliance with the direction of the arrow on the fan casing.

Sequence of power supply connection:

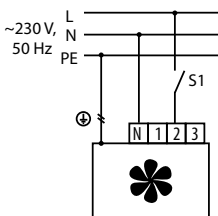
- Remove the terminal box cover. Route the power cables through the cable entry on the terminal box.
- Strip the power wires for 7-8 mm, then insert the wire ends into the respective terminals against insulation stop to the metal part, and fix these with screws.
- Cover the terminal box.



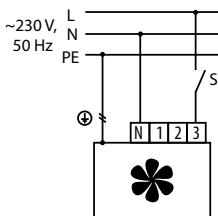
VKP mini — low speed



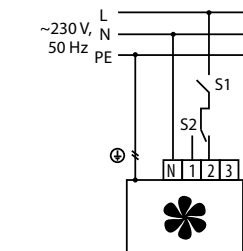
VKP mini — medium speed



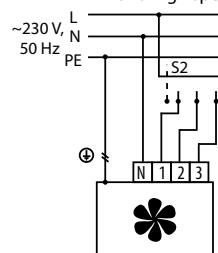
VKP mini — high speed



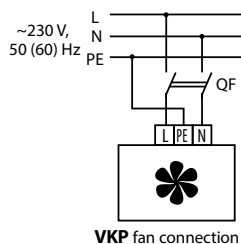
VKP mini — low and medium speed



VKP mini — low, medium and high speed

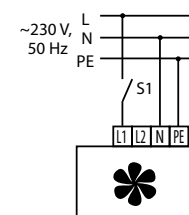


VKP — fan connection

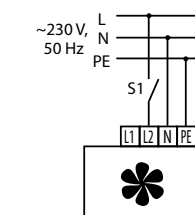


VKP fan connection

VKP mini Duo — low speed



VKP mini Duo — medium speed



TECHNICAL MAINTENANCE



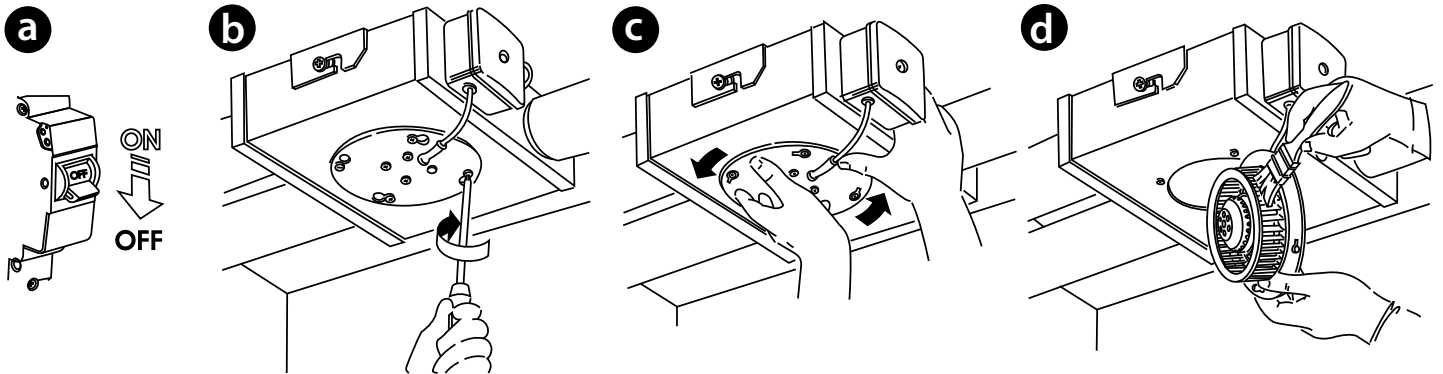
DISCONNECT THE UNIT FROM POWER SUPPLY BEFORE ANY MAINTENANCE OPERATIONS!

The technical maintenance includes periodic cleaning of the surfaces from accumulated dust and dirt. The impeller blades require thorough cleaning once in 6 months.

Maintenance sequence:

- Cut off power supply to the fan (Fig. a).
- Loosen the screw (Fig. b).
- Remove the flange with the turbine from the casing (Fig. c).
- Clean the impeller blades using a dry brush or a vacuum casing (Fig. d).

Perform all the above operations in the reverse order after cleaning.



TROUBLESHOOTING

| Problem | Possible reasons | Troubleshooting |
|--|---|--|
| The fan does not start. | No power supply. | Make sure that the unit is properly connected to the power mains and make any corrections, if necessary. |
| | Jammed motor. | Turn off the fan. Troubleshoot the motor jamming. Restart the fan. |
| Circuit breaker tripping during the fan start. | Excessive electric current consumption caused by a short circuit. | Turn off the fan. Contact the Seller. |
| Noise, vibration. | The fan impeller is soiled. | Clean the impellers. |
| | The screw connection is loose. | Check the screw connection and tighten the screws if needed. |

STORAGE AND TRANSPORTATION REGULATIONS

- Store the unit in the manufacturer's original packaging box in a dry closed ventilated premise with temperature range from +5 °C to +40 °C and relative humidity up to 70 %.
- Storage environment must not contain aggressive vapors and chemical mixtures provoking corrosion, insulation, and sealing deformation.
- Use suitable hoist machinery for handling and storage operations to prevent possible damage to the unit.
- Follow the handling requirements applicable for the particular type of cargo.
- The unit can be carried in the original packaging by any mode of transport provided proper protection against precipitation and mechanical damage. The unit must be transported only in the working position.
- Avoid sharp blows, scratches, or rough handling during loading and unloading.
- Prior to the initial power-up after transportation at low temperatures, allow the unit to warm up at operating temperature for at least 3-4 hours.

MANUFACTURER'S WARRANTY

The product is in compliance with EU norms and standards on low voltage guidelines and electromagnetic compatibility. We hereby declare that the product complies with the provisions of Electromagnetic Compatibility (EMC) Directive 2014/30/EU of the European Parliament and of the Council, Low Voltage Directive (LVD) 2014/35/EU of the European Parliament and of the Council and CE-marking Council Directive 93/68/EEC. This certificate is issued following test carried out on samples of the product referred to above.

The manufacturer hereby warrants normal operation of the unit for 24 months after the retail sale date provided the user's observance of the transportation, storage, installation, and operation regulations. Should any malfunctions occur in the course of the unit operation through the Manufacturer's fault during the guaranteed period of operation, the user is entitled to get all the faults eliminated by the manufacturer by means of warranty repair at the factory free of charge. The warranty repair includes work specific to elimination of faults in the unit operation to ensure its intended use by the user within the guaranteed period of operation. The faults are eliminated by means of replacement or repair of the unit components or a specific part of such unit component.

The warranty repair does not include:

- routine technical maintenance
- unit installation/dismantling
- unit setup

To benefit from warranty repair, the user must provide the unit, the user's manual with the purchase date stamp, and the payment paperwork certifying the purchase. The unit model must comply with the one stated in the user's manual. Contact the Seller for warranty service.

The manufacturer's warranty does not apply to the following cases:

- User's failure to submit the unit with the entire delivery package as stated in the user's manual including submission with missing component parts previously dismantled by the user.
- Mismatch of the unit model and the brand name with the information stated on the unit packaging and in the user's manual.
- User's failure to ensure timely technical maintenance of the unit.
- External damage to the unit casing (excluding external modifications as required for installation) and internal components caused by the user.
- Redesign or engineering changes to the unit.
- Replacement and use of any assemblies, parts and components not approved by the manufacturer.
- Unit misuse.
- Violation of the unit installation regulations by the user.
- Violation of the unit control regulations by the user.
- Unit connection to power mains with a voltage different from the one stated in the user's manual.
- Unit breakdown due to voltage surges in power mains.
- Discretionary repair of the unit by the user.
- Unit repair by any persons without the manufacturer's authorization.
- Expiration of the unit warranty period.
- Violation of the unit transportation regulations by the user.
- Violation of the unit storage regulations by the user.
- Wrongful actions against the unit committed by third parties.
- Unit breakdown due to circumstances of insuperable force (fire, flood, earthquake, war, hostilities of any kind, blockades).
- Missing seals if provided by the user's manual.
- Failure to submit the user's manual with the unit purchase date stamp.
- Missing payment paperwork certifying the unit purchase.



FOLLOWING THE REGULATIONS STIPULATED HEREIN WILL ENSURE A LONG AND TROUBLE-FREE OPERATION OF THE UNIT.



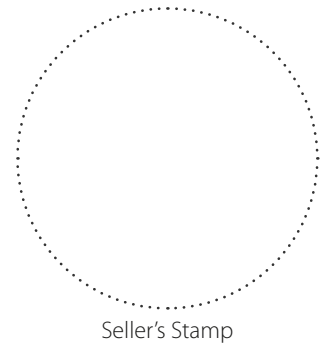
USER'S WARRANTY CLAIMS SHALL BE SUBJECT TO REVIEW ONLY UPON PRESENTATION OF THE UNIT, THE PAYMENT DOCUMENT AND THE USER'S MANUAL WITH THE PURCHASE DATE STAMP.

CERTIFICATE OF ACCEPTANCE

| | |
|----------------------------------|------------------------|
| Unit Type | Inline centrifugal fan |
| Model | |
| Serial Number | |
| Manufacture Date | |
| Quality Inspector's Stamp | |

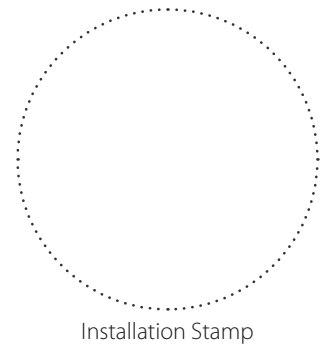
SELLER INFORMATION

| | |
|---|--|
| Seller | |
| Address | |
| Phone Number | |
| E-mail | |
| Purchase Date | |
| This is to certify acceptance of the complete unit delivery with the user's manual. The warranty terms are acknowledged and accepted. | |
| Customer's Signature | |



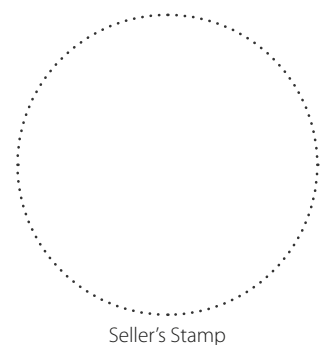
INSTALLATION CERTIFICATE

| | |
|--|-------------------|
| The _____ unit is installed pursuant to the requirements stated in the present user's manual. | |
| Company name | |
| Address | |
| Phone Number | |
| Installation Technician's Full Name | |
| Installation Date: | Signature: |
| The unit has been installed in accordance with the provisions of all the applicable local and national construction, electrical and technical codes and standards. The unit operates normally as intended by the manufacturer. | |
| Signature: | |



WARRANTY CARD

| | |
|-------------------------|------------------------|
| Unit Type | Inline centrifugal fan |
| Model | |
| Serial Number | |
| Manufacture Date | |
| Purchase Date | |
| Warranty Period | |
| Seller | |





VENTS

