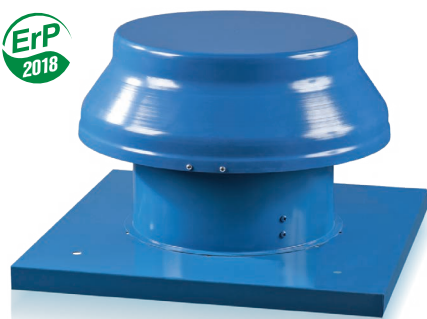


Series
VENTS VOK



Axial roof fans with the air capacity up to **2500 m³/h** in the steel casing with the horizontal exhaust of air

Applications

Exhaust ventilation systems for commercial, office and other public or industrial premises for various premises for roof mounting. Compatible with Ø 200 to 500 mm round air ducts.

Design

The fan casing is made of steel with polymeric coating.

Motor

The impellers are powered with two- or four-pole, single phase asynchronous motors with external rotor and built-in thermal overheating protection with automatic restart depending on the model. Ball bearings in the motor ensure long service life. Motor protection rating IP44.

Speed control

Both smooth or step speed control is performed by means of the thyristor or autotransformer controller. Several fans can be connected to one controller under condition that the total power and operating current do not exceed the rated controller values.

Mounting

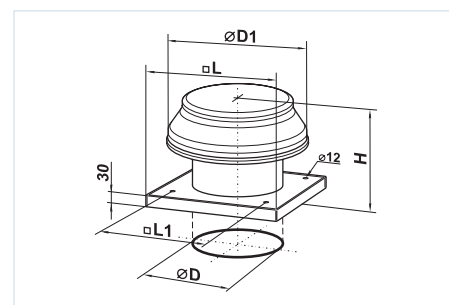
The fan is mounted on the roof directly above the ventilating duct or shaft and is firmly fixed to the flat surface by means of a connecting plate. While mounting VOK fans directly onto the flat roof a supporting block shall be provided to prevent water and snow drops into the vent of the ventilation shaft. Electrical connection and installation shall be performed in compliance with the manual and circuit diagram on the terminal box.

Technical data

	VOK 2E 200		VOK 2E 250		VOK 4E 250		VOK 2E 300		VOK 4E 300		VOK 4E 350	
Voltage [V]	1~230											
Frequency [Hz]	50	60	50	60	50	60	50	60	50	60	50	60
Power [W]	55	61	80	91	50	56	145	178	75	92	140	147
Current [A]	0.26	0.28	0.4	0.42	0.22	0.24	0.66	0.79	0.35	0.4	0.65	0.66
Max. air flow [m³/h]	860	875	1050	1150	800	865	2230	2280	1340	1475	2500	2650
RPM [min ⁻¹]	2300	2550	2400	2990	1380	1730	2300	2410	1350	1405	1380	1700
Noise level at 3 m [dBA]	50	51	60	61	55	56	60	61	58	59	62	63
Transported air temperature [°C]	-30...+60	-30...+50	-30...+60	-30...+50	-30...+60	-30...+50	-30...+60	-30...+50	-30...+60	-30...+50	-30...+60	-30...+50
Protection rating	IP24 (VKF IPX4)											

Fan overall dimensions

Type	Dimensions [mm]					Mass [kg]
	ØD	ØD1	H	L	L1	
VOK 2E 200	208	345	280	425	330	5.0
VOK 2E 250	262	405	280	425	330	7.0
VOK 4E 250	262	405	280	425	330	7.0
VOK 2E 300	314	555	340	585	450	10.5
VOK 4E 300	314	555	340	585	450	10.5
VOK 4E 350	364	555	350	655	535	12.0



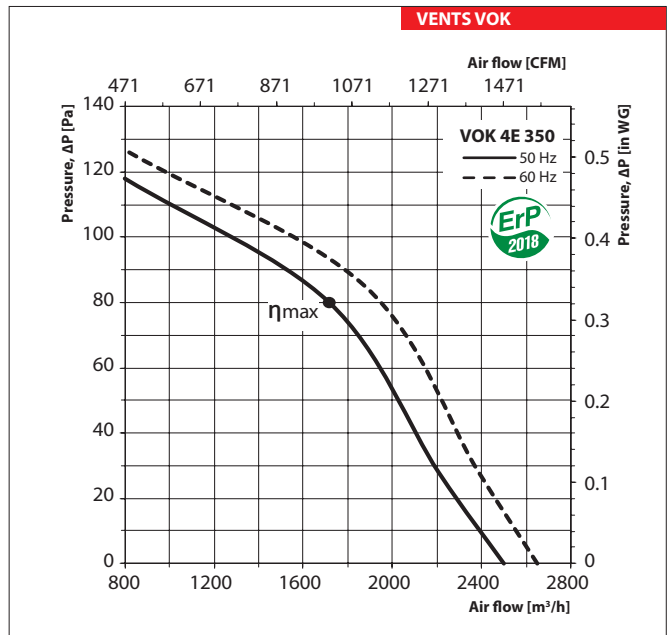
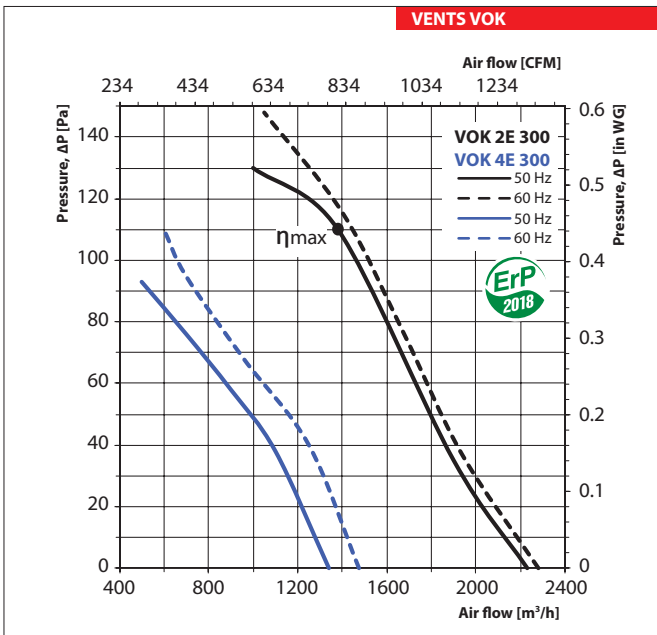
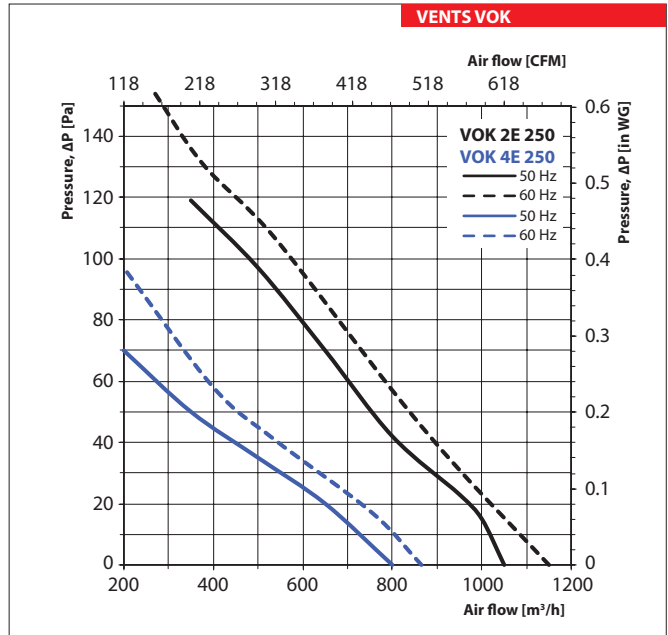
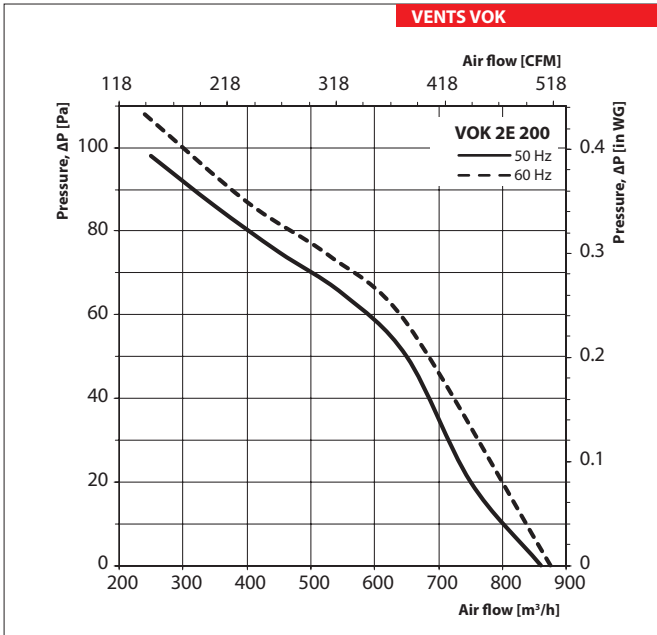
Designation key

Series	Motor modification		Impeller diameter
VENTS VOK	Number of poles		200; 250; 300; 350
	Phase		
	2 4	E: single phase	

Accessories



ErP data	
Overall efficiency	η [%]
Measurement category	MC
Efficiency category	EC
Efficiency grade	N
Variable speed drive	VSD
Power	kW
Current	A
Air flow	m³/h
Static pressure	Pa
Speed	n/min ⁻¹
Specific ratio	SR



FAN SERIES VENTS VOK