

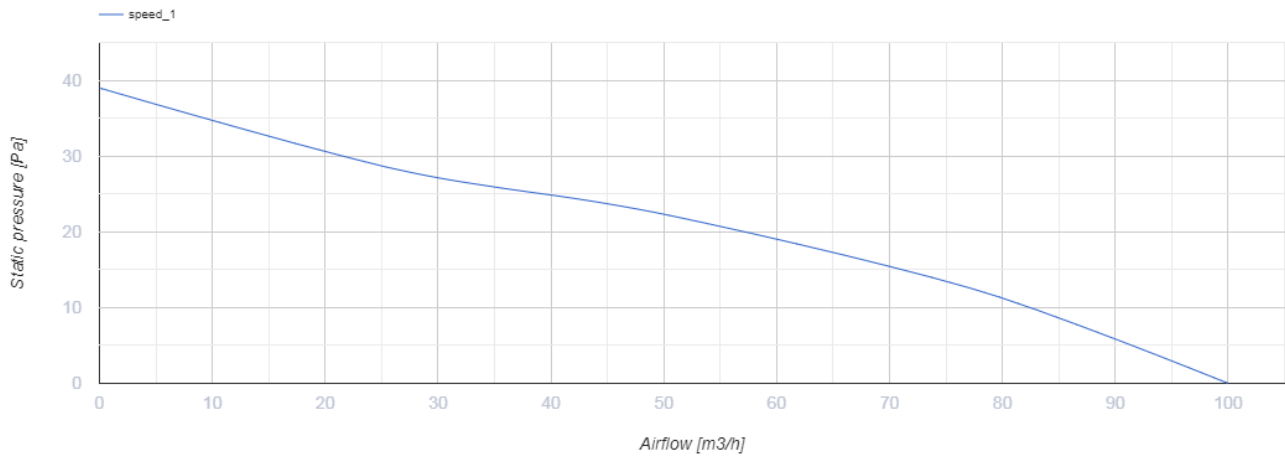
100 F1



Axial fans for exhaust ventilation

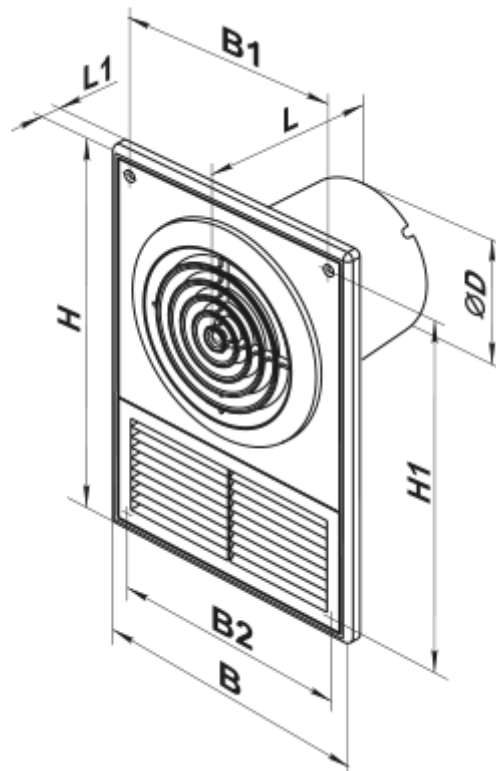
- Maximum airflow: 100
- Sound pressure level LpA at 3 m: 33
- Motor type: AC
- Casing material: Polypropylene/Thermoplastic elastomer

	Unit of measurement	100 F1
Connected air duct size	mm	100
Speed	-	1
Minimum supply voltage	V	220
Maximum supply voltage	V	240
Power supply frequency	Hz	50/60
Rated power	W	14
Unit current	A	0.085
Maximum airflow	m ³ /h	100
Sound pressure level LpA at 3 m	dB(A)	33
Weight	kg	0.58
Ambient air temperature min	°C	1
Ambient air temperature max	°C	40
Ingress protection rating	-	IP34



Dimensions

$\varnothing D$	B	B1	B2	H	H1	L	L1
100	182	152	160	252	226	128	13



Accessories

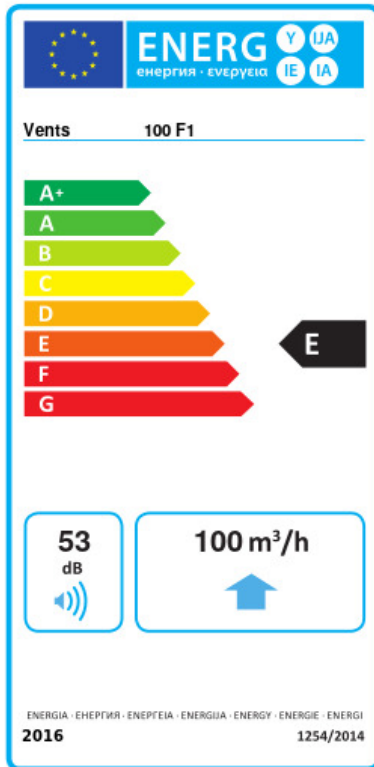
Flanges

Name	Photo	Description
------	-------	-------------

[FO_100](#)

The window flange applicable for all VENTS fans except for VKO, VKO1, iFan, Quiet, MAO, CF

Ecodesign



Trademark	Vents					
Model	100 F1					
Specific energy consumption (SEC) (kWh/(m ² /a))	Cold		Average		Warm	
	-31	B	-14	E	-5	F
Type of ventilation unit	Unidirectional					
Type of drive installed	Multi-speed					
Type of heat recovery system	None					
Maximum flow rate (m ³ /h)	100					
Electric power input (W)	14					
Reference flow rate (m ³ /s)	0.019					
Specific power input (SPI) (W/(m ³ /h))	0.09					
Control typology	Manual control					
Maximum external leakage rates (%)	2.7					
Declared typology	RVU UVU					
Sound power level (dB(A))	53					
The annual electricity consumption (AEC) (kWh/a)	Cold		Average		Warm	
	100		100		100	
The annual heating saved (AHS) (kWh/a)	Cold		Average		Warm	
	3400		1700		800	