

# 100 Flip One T1 L (220 V/60 Hz)



Axial decorative fans for extract ventilation suitable for use in Zone 1

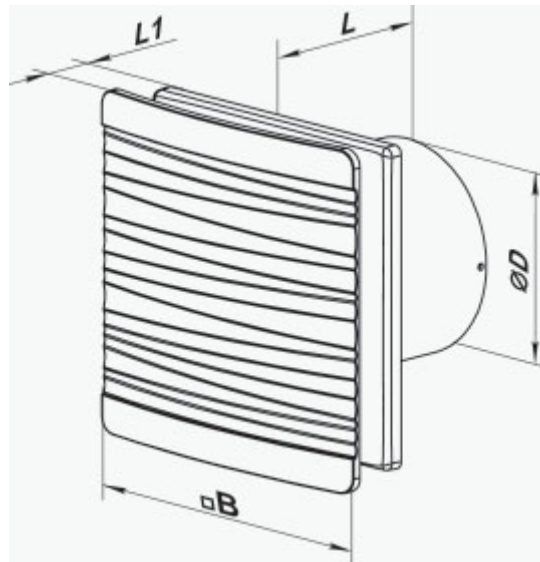
- Motor type: AC
- Impeller type: Mixed-flow
- Casing material: ABS Plastic
- Backdraft protection: Backdraft damper
- Timer: Turn on timer, Turn off timer

	Unit of measurement	100 Flip One T1 L (220 V/60 Hz)
Connected air duct size	mm	100
Speed	-	1
Minimum supply voltage	V	220
Maximum supply voltage	V	240
Power supply frequency	Hz	60
Weight	kg	0.51
Ambient air temperature min	°C	1
Ambient air temperature max	°C	45
Ingress protection rating	-	IP44 Zone 1



### Dimensions

<b>D</b>	<b>B</b>	<b>L</b>	<b>L1</b>
99	160	79	38



## Accessories

### Flanges

Name	Photo	Description
<a href="#">FO 100</a>		The window flange applicable for all VENTS fans except for VKO, VKO1, iFan, Quiet, MAO, CF