

# 100 Flip T



Low-noise and low-power extract axial fan

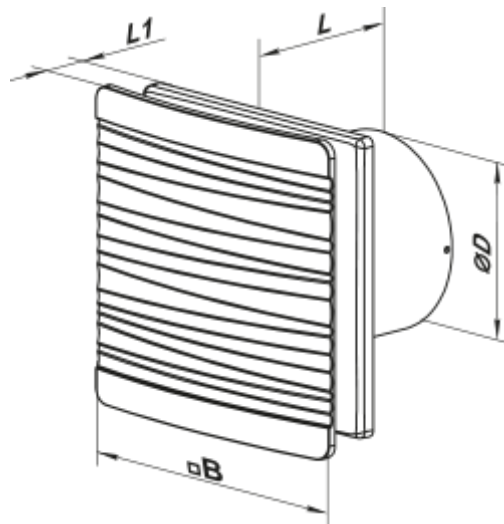
- Maximum airflow: 85
- Sound pressure level LpA at 3 m: 27
- Motor type: AC
- Casing material: Plastic
- Timer: Turn off timer

	Unit of measurement	100 Flip T
Connected air duct size	mm	100
Speed	-	1
Minimum supply voltage	V	220
Maximum supply voltage	V	240
Power supply frequency	Hz	50
Rated power	W	8
Unit current	A	0.05
Maximum airflow	m <sup>3</sup> /h	85
Sound pressure level LpA at 3 m	dB(A)	27
Weight	kg	0.51
Ambient air temperature min	°C	1
Ambient air temperature max	°C	45
Ingress protection rating	-	IP44
ErP compliance	-	2016
Cold - Specific energy consumption (SEC)	kWh/(m <sup>2</sup> /a)	33.9
SEC Class Cold	-	B
Average - Specific energy consumption (SEC)	kWh/(m <sup>2</sup> /a)	15.9
SEC Class Average	-	E
Warm - Specific energy consumption (SEC)	kWh/(m <sup>2</sup> /a)	5.7
SEC Class Warm	-	F
Unit category	-	RVU

Type of ventilation unit	-	Unidirectional
Type of drive installed	-	Single speed
Type of heat recovery system	-	None
Maximum flow rate	m <sup>3</sup> /h	85
Electric power input	W	8
Reference flow rate	m <sup>3</sup> /s	0.017
Specific power input (SPI)	W/(m <sup>3</sup> /h)	0.094
Control typology	-	Clock control
Maximum external leakage rates	%	2.7
Cold - The annual electricity consumption (AEC)	kWh/a	112
Average - The annual electricity consumption (AEC)	kWh/a	112
Warm - Jährlicher Stromverbrauch (JSV)	kWh/a	112
Cold - The annual heating saved (AHS)	kWh/a	3667
The annual heating saved (AHS) Average	kWh/a	1874
The annual heating saved (AHS) Warm	kWh/a	848
Sound power level	dB(A)	47
Declared typology	-	RVU UVU

## Dimensions

Ø D	B	L	L1
99	160	79	38



## Accessories

### Cooker Hoods

Name	Photo	Description
------	-------	-------------

[FO\\_100](#)



The window flange applicable for all VENTS fans except for VKO, VKO1, iFan, Quiet, MAO, CF