

100 K L



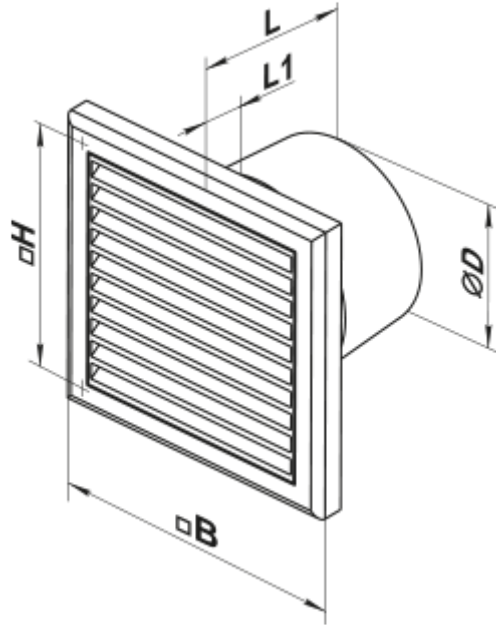
Axial fans for exhaust ventilation with the capacity up to 341 m³/h. Compatible with 100, 125 or 150 mm air ducts.

- Maximum airflow: 95
- Sound pressure level LpA at 3 m: 34
- Motor type: AC
- Casing material: Plastic

	Unit of measurement	100 K L
Connected air duct size	mm	100
Speed	-	1
Minimum supply voltage	V	220
Maximum supply voltage	V	240
Power supply frequency	Hz	50/60
Rated power	W	14
Unit current	A	0.085
Maximum airflow	m ³ /h	95
Sound pressure level LpA at 3 m	dB(A)	34
Weight	kg	0.53
Ambient air temperature min	°C	1
Ambient air temperature max	°C	40
Ingress protection rating	-	IP34


Dimensions

ØD	B	H	L	L1
100	154	110	105	15



Accessories

Cooker Hoods

Name	Photo	Description
FO_100		The window flange applicable for all VENTS fans except for VKO, VKO1, iFan, Quiet, MAO, CF