

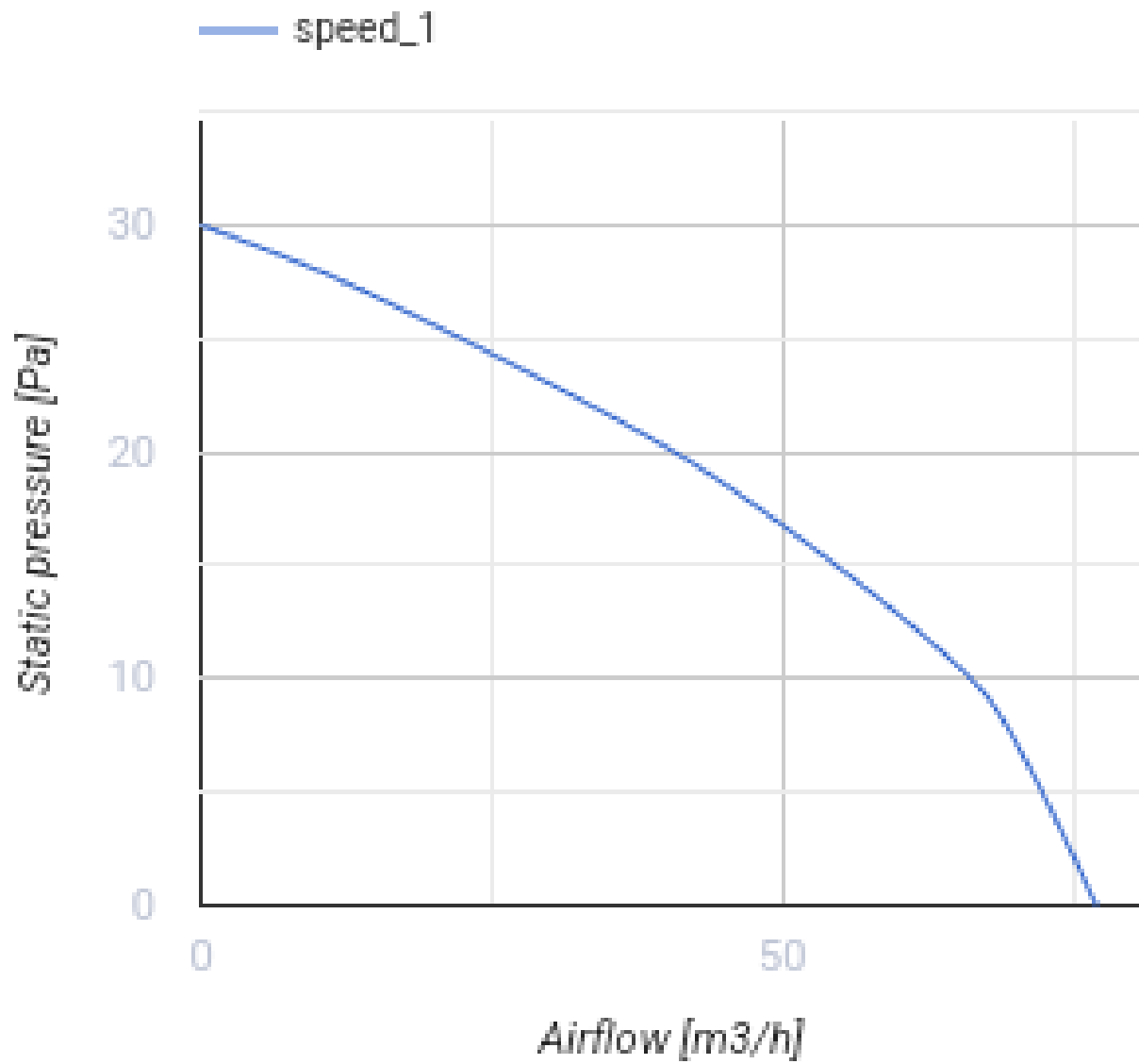
100 LD 12



Axial decorative fans for extract ventilation with panels

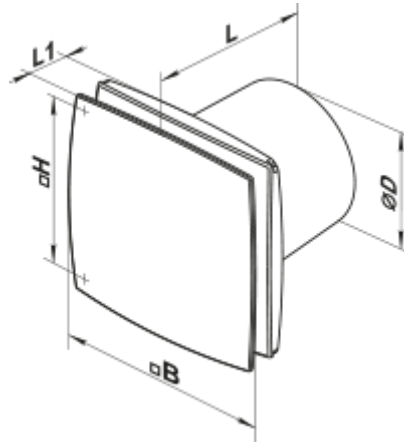
- Maximum airflow: 77
- Sound pressure level LpA at 3 m: 32
- Motor type: AC
- Casing material: Plastic

	Unit of measurement	100 LD 12
Connected air duct size	mm	100
Speed	-	1
Minimum supply voltage	V	12
Maximum supply voltage	V	12
Power supply frequency	Hz	50/60
Rated power	W	14
Unit current	A	1.5
Maximum airflow	m ³ /h	77
Sound pressure level LpA at 3 m	dB(A)	32
Weight	kg	0.59
Ambient air temperature min	°C	1
Ambient air temperature max	°C	40
Ingress protection rating	-	IP34





Dimensions

∅D	B	H	L	L1
100	152	120	126	30

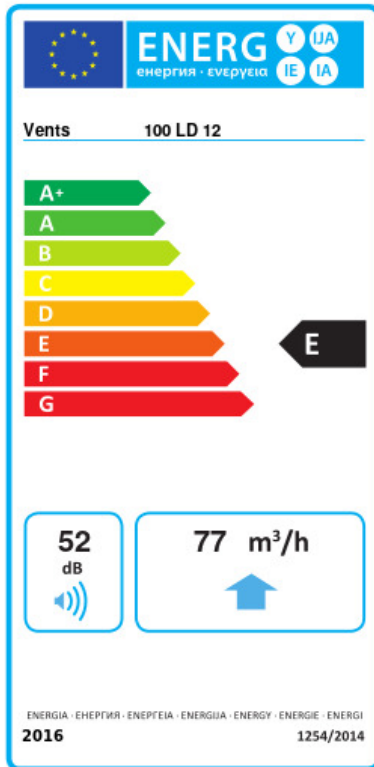


Accessories

Flanges

Name	Photo	Description
FO 100		The window flange applicable for all VENTS fans except for VKO, VKO1, iFan, Quiet, MAO, CF
KO 100		Back valve is designed for domestic fan series VENTS M, M1, D, S, M3, X, X1, LD, LD Fresh time, Silenta-M, Silenta-S, Modern, Vitro star, Z star, X star

Ecodesign



Trademark	Vents					
Model	100 LD 12					
Specific energy consumption (SEC) (kWh/(m ² /a))	Cold		Average		Warm	
	-27.9	B	-11.5	E	-2.1	F
Type of ventilation unit	Unidirectional					
Type of drive installed	Single speed					
Type of heat recovery system	None					
Maximum flow rate (m ³ /h)	77					
Electric power input (W)	14					
Reference flow rate (m ³ /s)	0.015					
Specific power input (SPI) (W/(m ³ /h))	0.182					
Control typology	Manual control					
Maximum external leakage rates (%)	2.7					
Declared typology	RVU UVU					
Sound power level (dB(A))	52					
The annual electricity consumption (AEC) (kWh/a)	Cold		Average		Warm	
	228		228		228	
The annual heating saved (AHS) (kWh/a)	Cold		Average		Warm	
	3355		1715		776	