

100 LD Fresh time

Axial fans for exhaust ventilation with a built-in clock

- Maximum airflow: 88
- Sound pressure level LpA at 3 m: 33
- Motor type: AC
- Casing material: Plastic

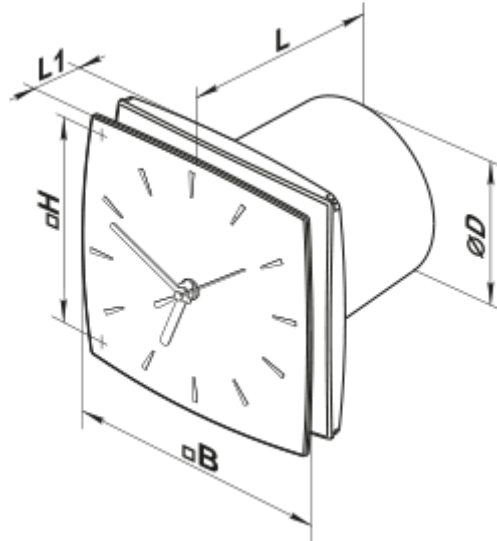


	Unit of measurement	100 LD Fresh time
Connected air duct size	mm	100
Speed	-	1
Minimum supply voltage	V	220
Maximum supply voltage	V	240
Power supply frequency	Hz	50
Rated power	W	14
Unit current	A	0.085
Maximum airflow	m ³ /h	88
Sound pressure level LpA at 3 m	dB(A)	33
Weight	kg	0.6
Ambient air temperature min	°C	1
Ambient air temperature max	°C	40
Ingress protection rating	-	IP34





Dimensions

Ø D	B	H	L	L1
100	152	120	135	40



Accessories

Flanges

Name	Photo	Description
KO 100		Back valve is designed for domestic fan series VENTS M, M1, D, S, M3, X, X1, LD, LD Fresh time, Silenta-M, Silenta-S, Modern, Vitro star, Z star, X star
FO 100		The window flange applicable for all VENTS fans except for VKO, VKO1, iFan, Quiet, MAO, CF