

# 100 LD K 12



Axial decorative fans for exhaust ventilation

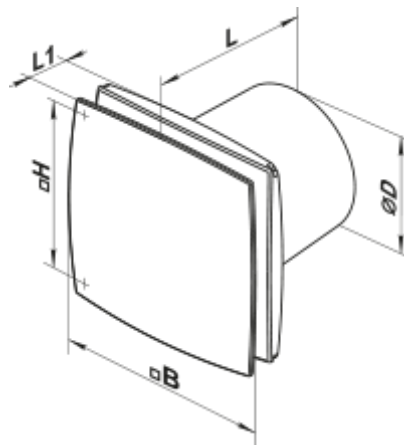
- Maximum airflow: 77
- Sound pressure level LpA at 3 m: 32
- Motor type: AC
- Casing material: Plastic
- Backdraft protection: Backdraft damper

	Unit of measurement	100 LD K 12
Connected air duct size	mm	100
Speed	-	1
Minimum supply voltage	V	12
Maximum supply voltage	V	12
Power supply frequency	Hz	50/60
Rated power	W	14
Unit current	A	1.5
Maximum airflow	m <sup>3</sup> /h	77
Sound pressure level LpA at 3 m	dB(A)	32
Weight	kg	0.59
Ambient air temperature min	°C	1
Ambient air temperature max	°C	40
Ingress protection rating	-	IP34
ErP compliance	-	2016
Cold - Specific energy consumption (SEC)	kWh/(m <sup>2</sup> /a)	27.9
SEC Class Cold	-	B
Average - Specific energy consumption (SEC)	kWh/(m <sup>2</sup> /a)	11.5
SEC Class Average	-	E
Warm - Specific energy consumption (SEC)	kWh/(m <sup>2</sup> /a)	2.1
SEC Class Warm	-	F
Unit category	-	RVU

Type of ventilation unit	-	Unidirectional
Type of drive installed	-	Single speed
Type of heat recovery system	-	None
Maximum flow rate	m <sup>3</sup> /h	77
Electric power input	W	14
Reference flow rate	m <sup>3</sup> /s	0.015
Specific power input (SPI)	W/(m <sup>3</sup> /h)	0.182
Control typology	-	Manual control
Maximum external leakage rates	%	2.7
Cold - The annual electricity consumption (AEC)	kWh/a	228
Average - The annual electricity consumption (AEC)	kWh/a	228
Warm - Jährlicher Stromverbrauch (JSV)	kWh/a	228
Cold - The annual heating saved (AHS)	kWh/a	3355
The annual heating saved (AHS) Average	kWh/a	1715
The annual heating saved (AHS) Warm	kWh/a	776
Sound power level	dB(A)	52
Declared typology	-	RVU UVU


## Dimensions

ØD	B	H	L	L1
100	152	120	126	30



## Accessories

### Cooker Hoods

Name	Photo	Description
<a href="#">FO 100</a>		The window flange applicable for all VENTS fans except for VKO, VKO1, iFan, Quiet, MAO, CF

[KO\\_100](#)

Back valve is designed for domestic fan series VENTS M, M1, D, S, M3, X, X1, LD, LD  
Fresh time, Silenta-M, Silenta-S, Modern, Vitro star, Z star, X star