

100 LD VTH



Axial decorative fans for exhaust ventilation

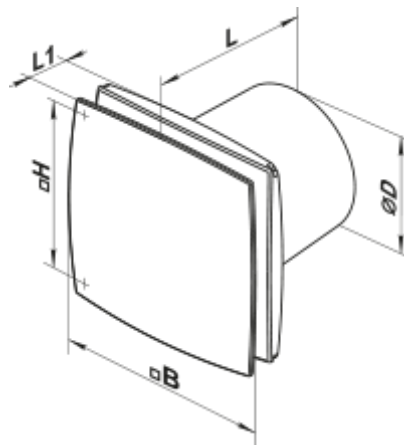
- Maximum airflow: 88
- Sound pressure level LpA at 3 m: 33
- Motor type: AC
- Casing material: Plastic
- Pull cord
- Humidity sensor
- Timer: Turn off timer

	Unit of measurement	100 LD VTH
Connected air duct size	mm	100
Speed	-	1
Minimum supply voltage	V	220
Maximum supply voltage	V	240
Power supply frequency	Hz	50
Rated power	W	14
Unit current	A	0.085
Maximum airflow	m ³ /h	88
Sound pressure level LpA at 3 m	dB(A)	33
Weight	kg	0.6
Ambient air temperature min	°C	1
Ambient air temperature max	°C	40
Ingress protection rating	-	IP34
ErP compliance	-	2016, 2018
Cold - Specific energy consumption (SEC)	kWh/(m ² /a)	52.1
SEC Class Cold	-	A+
Average - Specific energy consumption (SEC)	kWh/(m ² /a)	25.1
SEC Class Average	-	C
Warm - Specific energy consumption (SEC)	kWh/(m ² /a)	9.6
SEC Class Warm	-	F
Unit category	-	RVU

Type of ventilation unit	-	Unidirectional
Type of drive installed	-	Single speed
Type of heat recovery system	-	None
Maximum flow rate	m ³ /h	88
Electric power input	W	14
Reference flow rate	m ³ /s	0.017
Specific power input (SPI)	W/(m ³ /h)	0.159
Control typology	-	Local demand control
Maximum external leakage rates	%	2.7
Cold - The annual electricity consumption (AEC)	kWh/a	130
Average - The annual electricity consumption (AEC)	kWh/a	130
Warm - Jährlicher Stromverbrauch (JSV)	kWh/a	130
Cold - The annual heating saved (AHS)	kWh/a	5536
The annual heating saved (AHS) Average	kWh/a	2830
The annual heating saved (AHS) Warm	kWh/a	1280
Sound power level	dB(A)	53
Declared typology	-	RVU UVU


Dimensions

ØD	B	H	L	L1
100	152	120	126	30



Accessories

Cooker Hoods

Name	Photo	Description
FO 100		The window flange applicable for all VENTS fans except for VKO, VKO1, iFan, Quiet, MAO, CF

[KO_100](#)



Back valve is designed for domestic fan series VENTS M, M1, D, S, M3, X, X1, LD, LD
Fresh time, Silenta-M, Silenta-S, Modern, Vitro star, Z star, X star